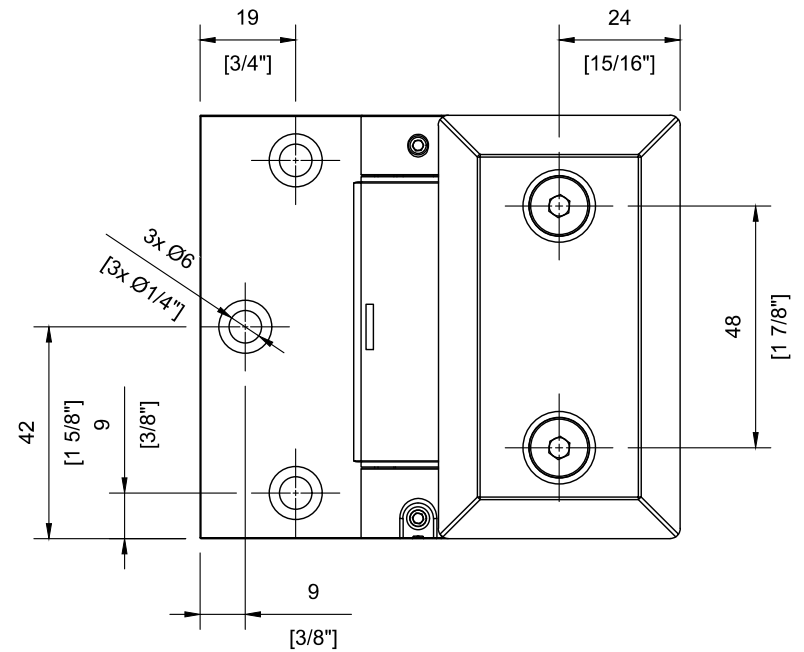
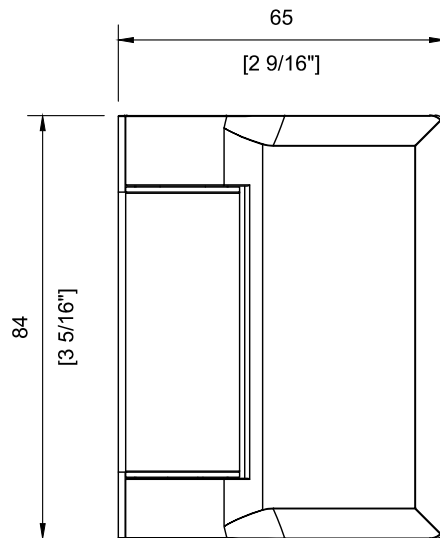
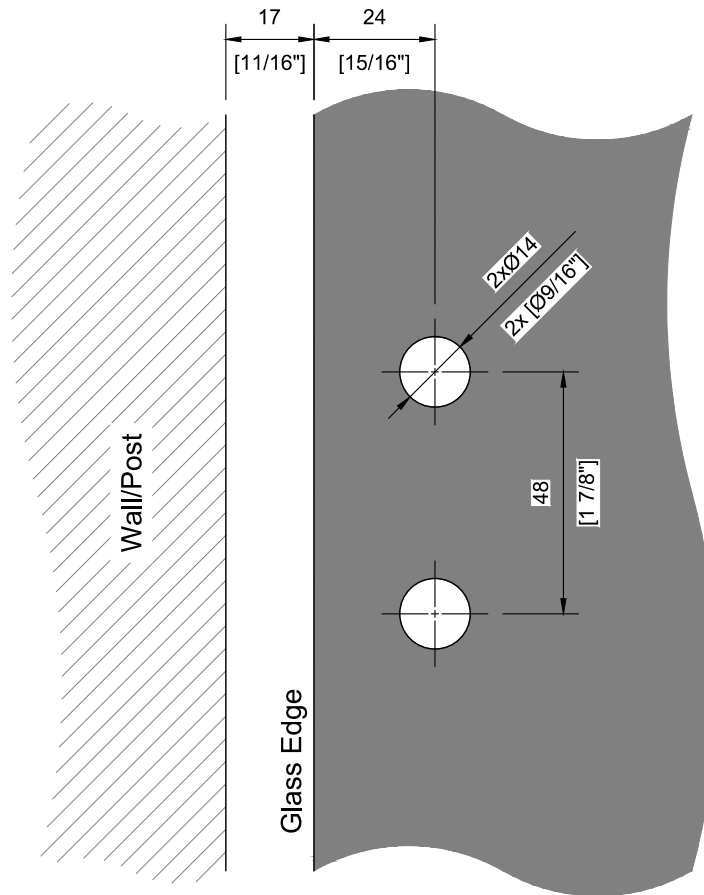


- Heavy duty spring hinge - glass to wall/post application.
- Self close at any release angles.
- Complies with Canadian standards for pool fencing.
- Robust and corrosion resistant construction made of duplex 2205 stainless steel.
- Suitable for 8mm, 10mm and 12mm glass gates.
- Patented easy tension adjustment (closing speed adjustment) with just an Allen key.
- Weight capacity: 45kgs
- Special designed oval studs and curved packers to correct the off centre hole position.





**HOLE IN THE GLASS**