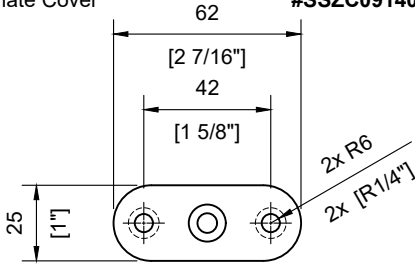
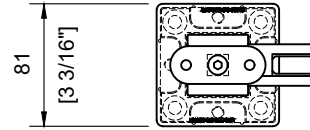


TECHNICAL SPECIFICATION:

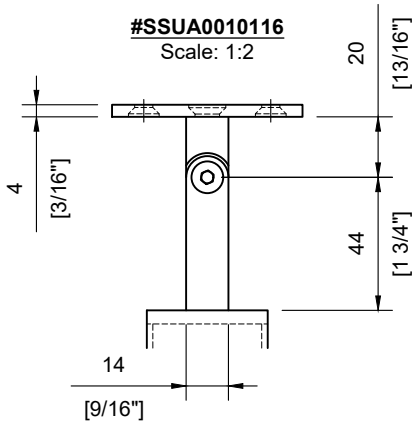
Product Code: **#SSPE36BPEF_**
 Post Type: Square Post
 Post Size: 40mm [1-9/16"] x 40mm [1-9/16"]
 Post Thickness: 2mm [1/16"]
 Post Height: 926mm [36-7/16"]
 Post Configuration: Stair Bottom Post - Front
 Post Material: Stainless Steel 304 & 316
 Post Finish: **B** - Powder Coated Black (SS304)
S - Satin Stainless Steel (SS316)

INCLUDED:

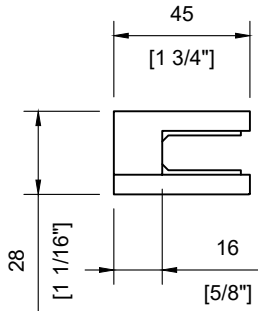
Rubber Gasket 10mm
 Glass Clips **#SSGC301XX16_**
 Handrail Attachment Plate **#SSUA0010116_**
 Plate Cover **#SSZC0914004_**



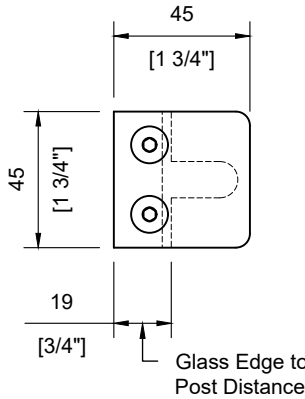
#SSUA0010116
Scale: 1:2



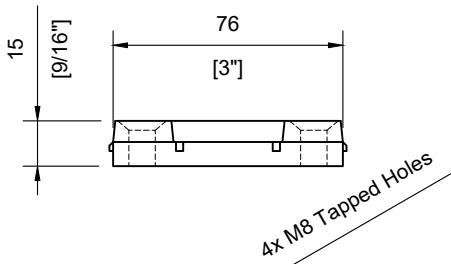
Welded Tube Swivel Support
Scale: 1:2



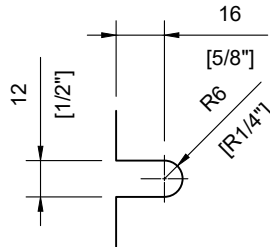
#SSGC301XX16
Scale: 1:2



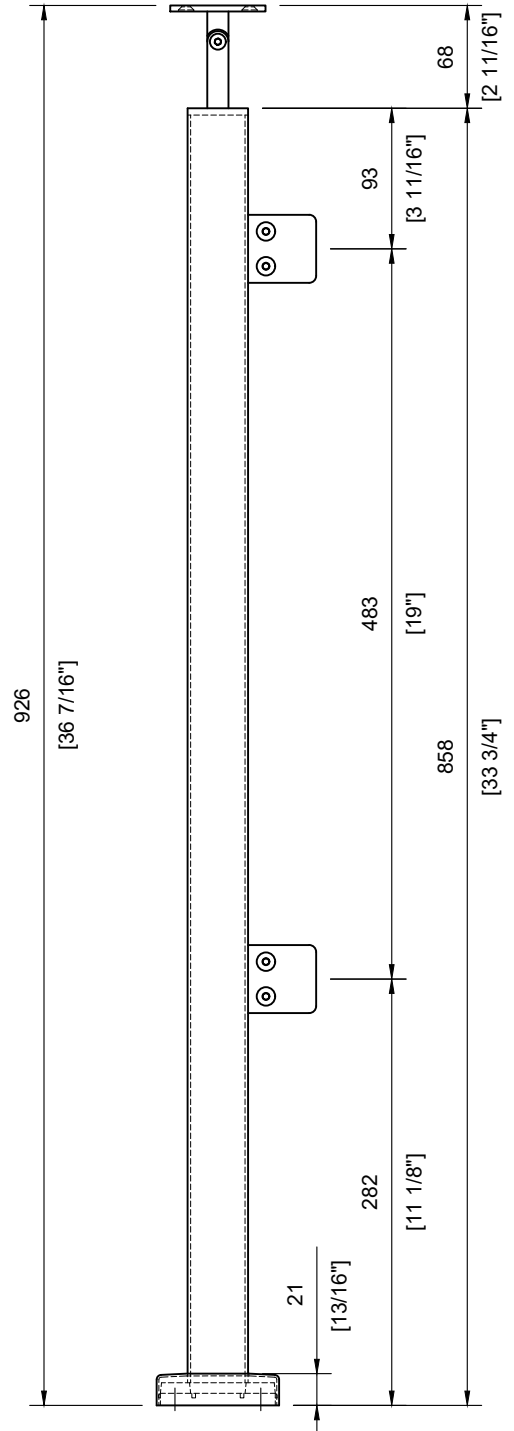
Glass Edge to Post Distance



Welded Base Plate
Scale: 1:2



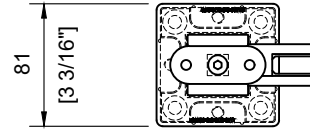
Glass Cut-out
Scale: 1:2



#SSPE36BPEF
Scale: 1:5

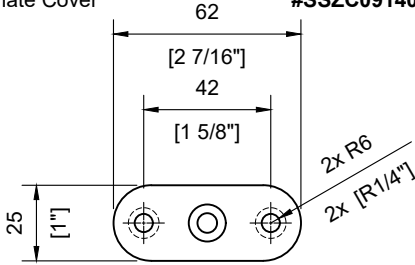
TECHNICAL SPECIFICATION:

Product Code: **#SSPE36BPEM_**
 Post Type: Square Post
 Post Size: 40mm [1-9/16"] x 40mm [1-9/16"]
 Post Thickness: 2mm [1/16"]
 Post Height: 958mm [37-11/16"]
 Post Configuration: Stair Bottom Post - Middle
 Post Material: Stainless Steel 304 & 316
 Post Finish: **B** - Powder Coated Black (SS304)
S - Satin Stainless Steel (SS316)

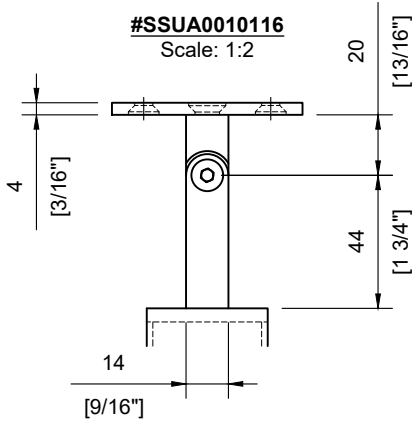


INCLUDED:

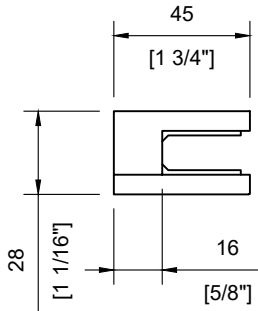
Rubber Gasket 10mm
 Glass Clips **#SSGC301XX16_**
 Handrail Attachment Plate **#SSUA0010116_**
 Plate Cover **#SSZC0914004_**



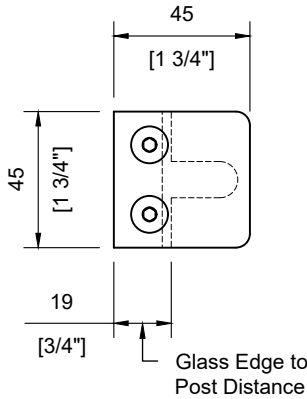
#SSUA0010116
Scale: 1:2



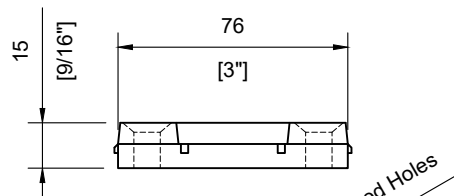
Welded Tube Swivel Support
Scale: 1:2



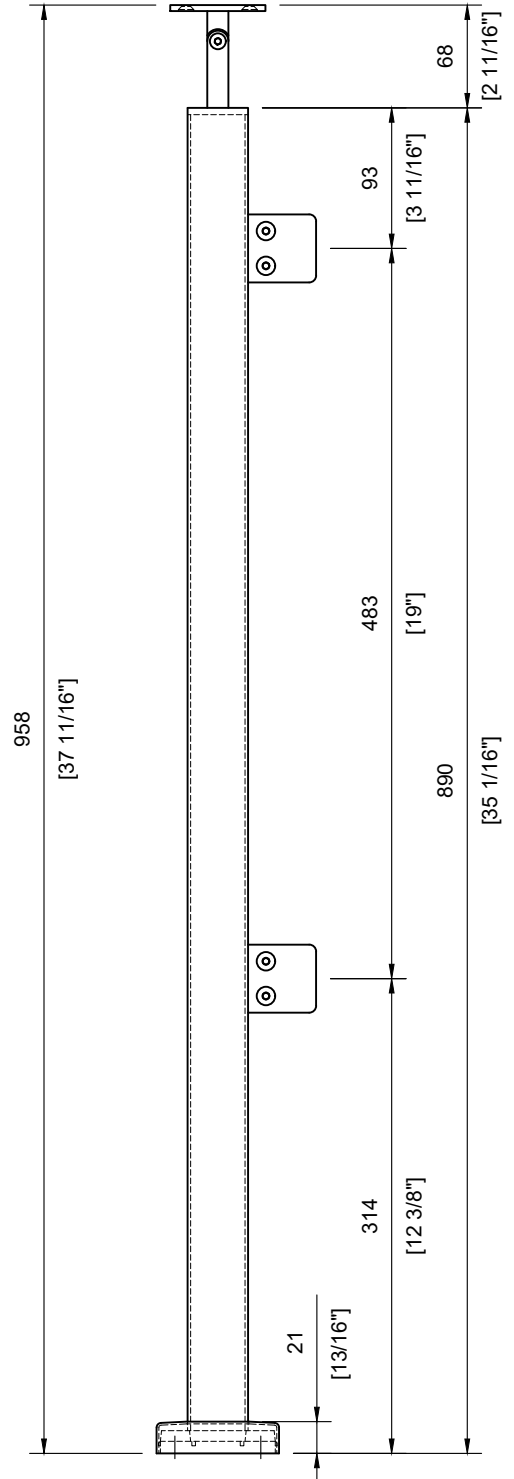
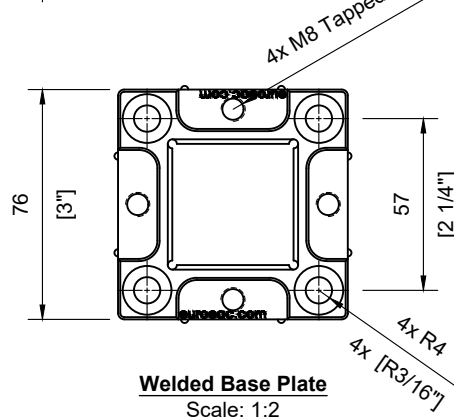
#SSGC301XX16
Scale: 1:2



Glass Cut-out
Scale: 1:2



Welded Base Plate
Scale: 1:2



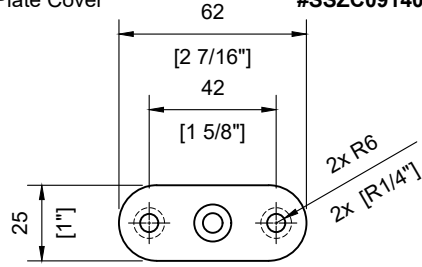
#SSPE36BPEM
Scale: 1:5

TECHNICAL SPECIFICATION:

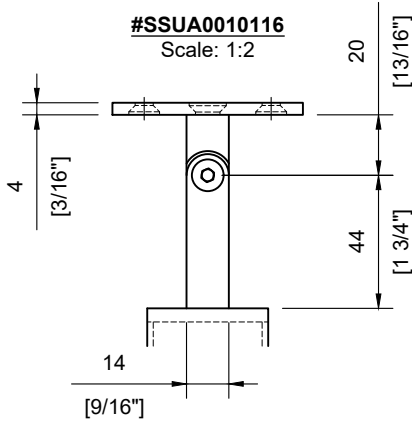
Product Code: **#SSPE36BPEB_**
 Post Type: Square Post
 Post Size: 40mm [1-9/16"] x 40mm [1-9/16"]
 Post Thickness: 2mm [1/16"]
 Post Height: 1011mm [39-13/16"]
 Post Configuration: Stair Bottom Post - Back
 Post Material: Stainless Steel 304 & 316
 Post Finish: **B** - Powder Coated Black (SS304)
 S - Satin Stainless Steel (SS316)

INCLUDED:

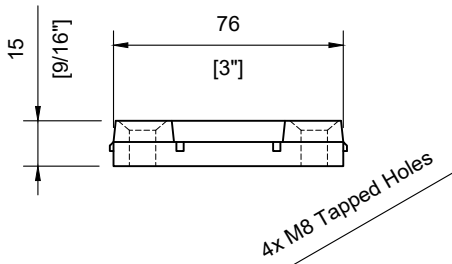
Rubber Gasket 10mm
 Glass Clips **#SSGC301XX16_**
 Handrail Attachment Plate **#SSUA0010116_**
 Plate Cover **#SSZC0914004_**



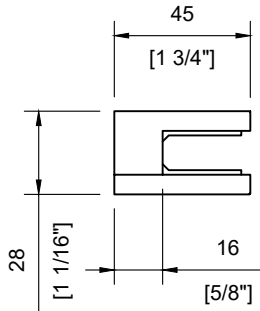
#SSUA0010116
Scale: 1:2



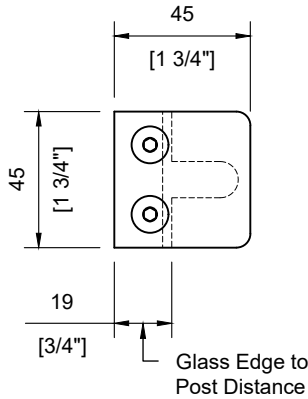
Welded Tube Swivel Support
Scale: 1:2



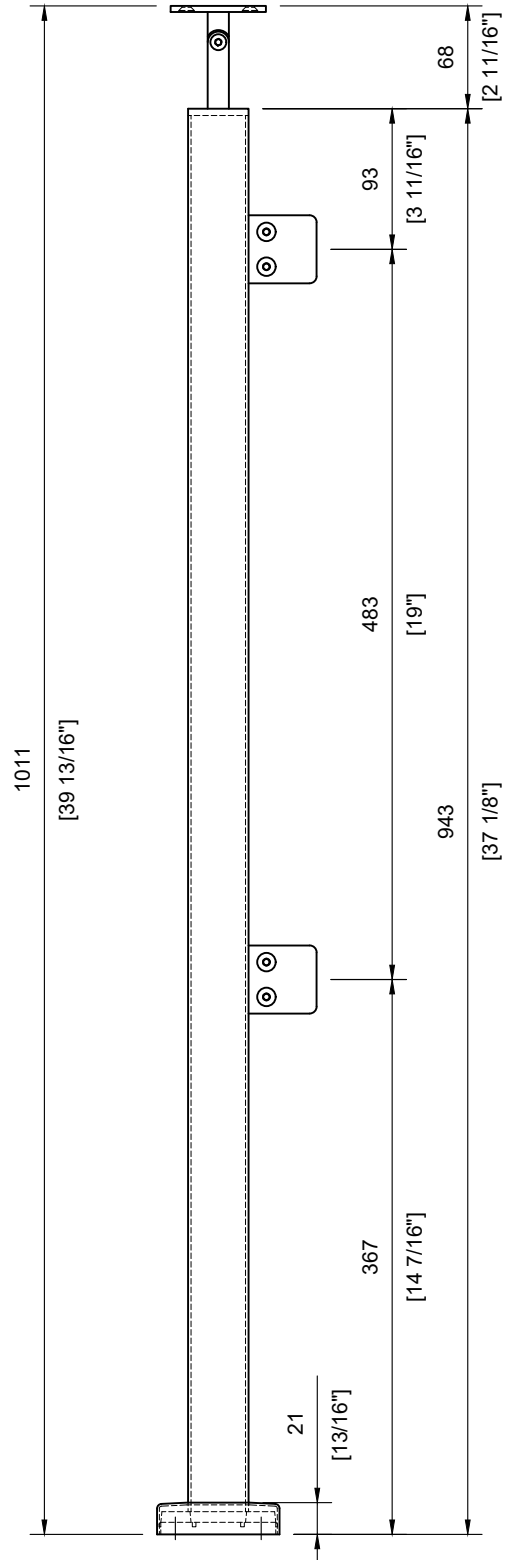
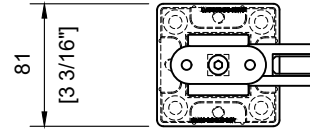
Welded Base Plate
Scale: 1:2



#SSGC301XX16
Scale: 1:2



Glass Cut-out
Scale: 1:2



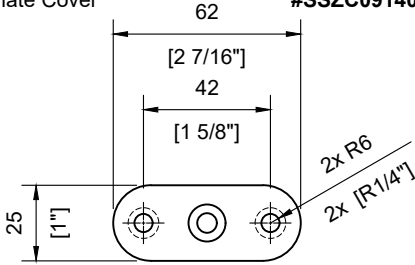
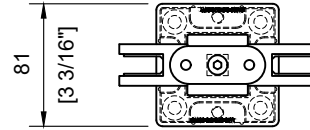
#SSPE36BPEB
Scale: 1:5

TECHNICAL SPECIFICATION:

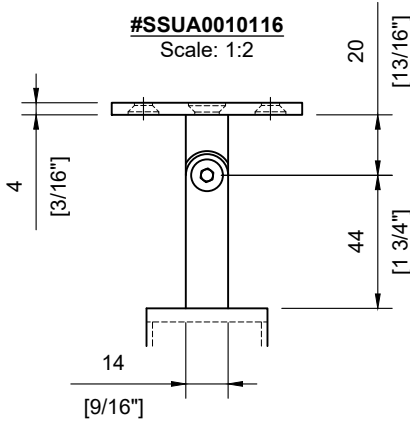
Product Code: **#SSPE36STLF_**
 Post Type: Square Post
 Post Size: 40mm [1-9/16"] x 40mm [1-9/16"]
 Post Thickness: 2mm [1/16"]
 Post Height: 926mm [36-7/16"]
 Post Configuration: Stair Line Post - Front
 Post Material: Stainless Steel 304 & 316
 Post Finish: **B** - Powder Coated Black (SS304)
S - Satin Stainless Steel (SS316)

INCLUDED:

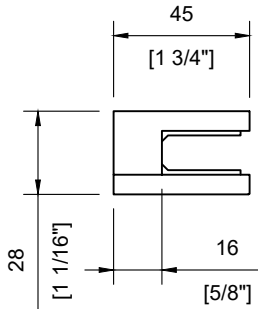
Rubber Gasket 10mm
 Glass Clips **#SSGC301XX16_**
 Handrail Attachment Plate **#SSUA0010116_**
 Plate Cover **#SSZC0914004_**



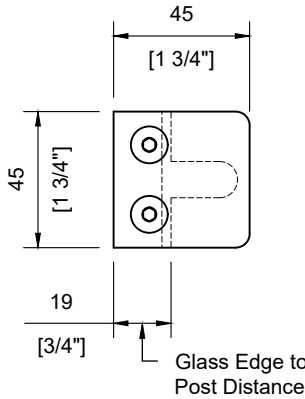
#SSUA0010116
Scale: 1:2



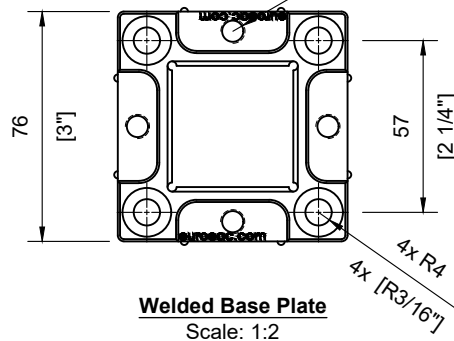
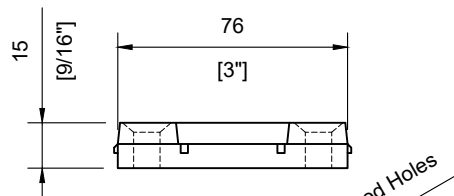
Welded Tube Swivel Support
Scale: 1:2



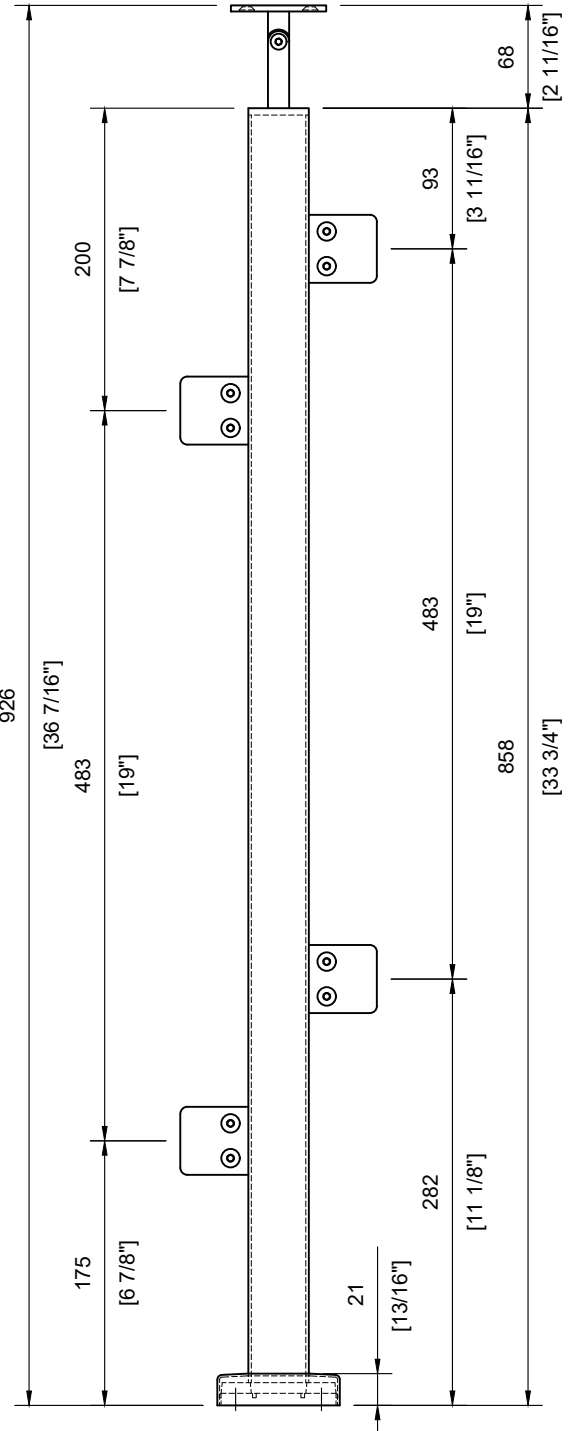
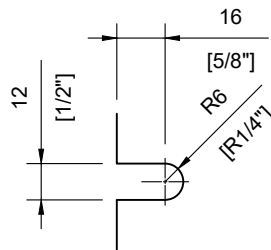
#SSGC301XX16
Scale: 1:2



Glass Cut-out
Scale: 1:2



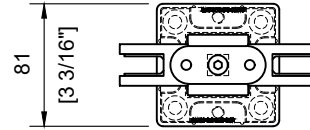
Welded Base Plate
Scale: 1:2



#SSPE36STLF
Scale: 1:5

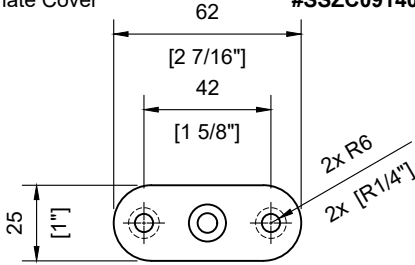
TECHNICAL SPECIFICATION:

Product Code: **#SSPE36STLM_**
 Post Type: Square Post
 Post Size: 40mm [1-9/16"] x 40mm [1-9/16"]
 Post Thickness: 2mm [1/16"]
 Post Height: 958mm [37-11/16"]
 Post Configuration: Stair Line Post - Middle
 Post Material: Stainless Steel 304 & 316
 Post Finish: **B** - Powder Coated Black (SS304)
S - Satin Stainless Steel (SS316)

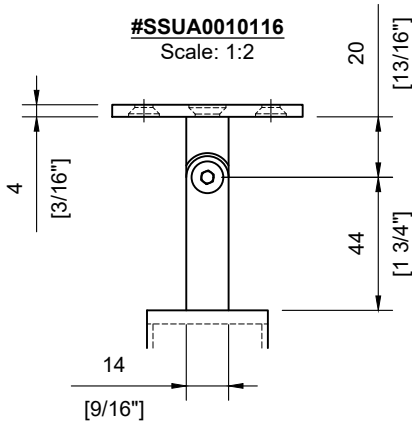


INCLUDED:

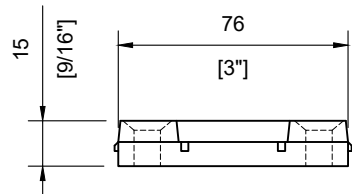
Rubber Gasket 10mm
 Glass Clips **#SSGC301XX16_**
 Handrail Attachment Plate **#SSUA0010116_**
 Plate Cover **#SSZC0914004_**



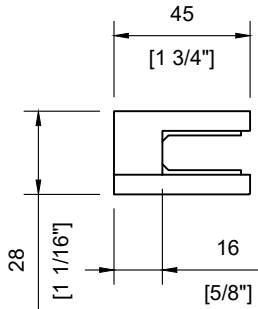
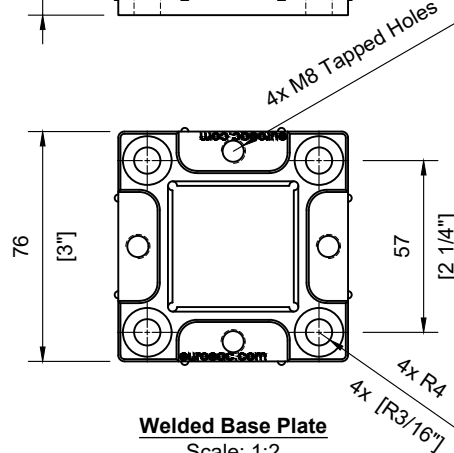
#SSUA0010116
Scale: 1:2



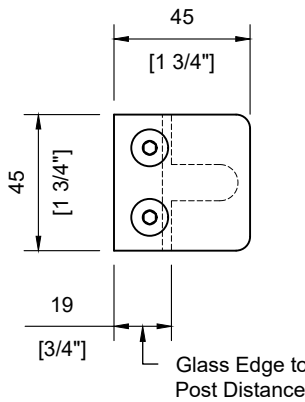
Welded Tube Swivel Support
Scale: 1:2



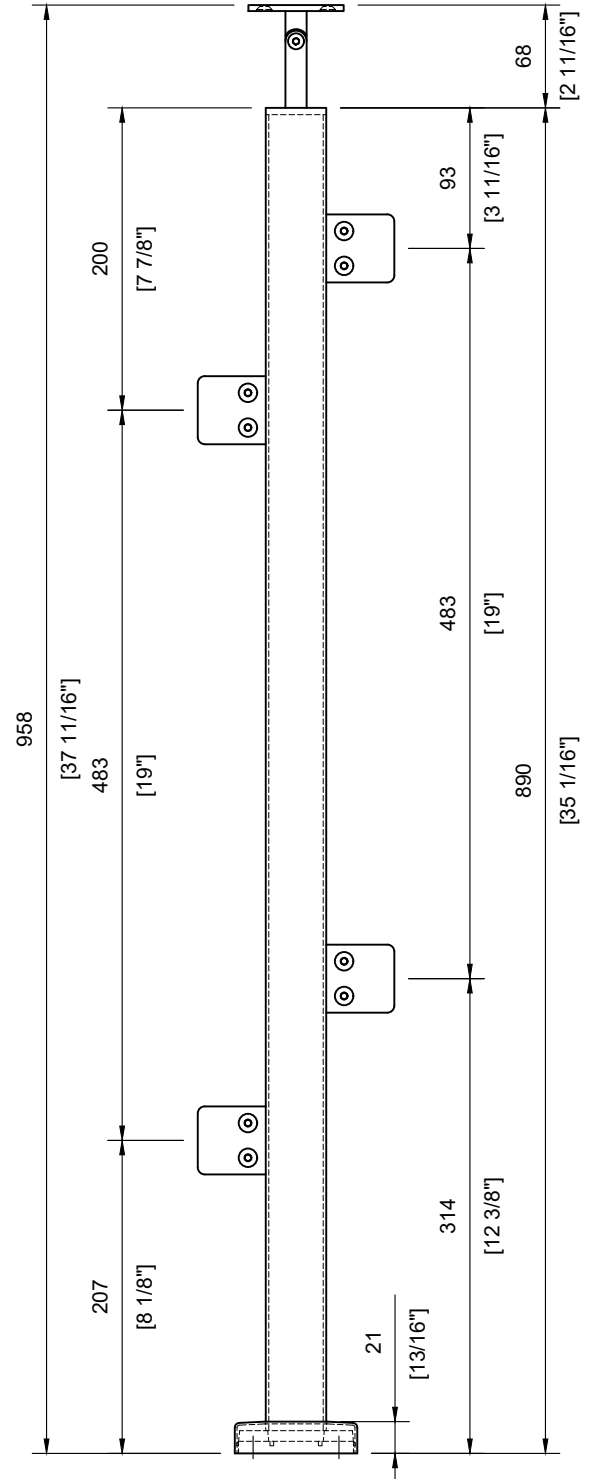
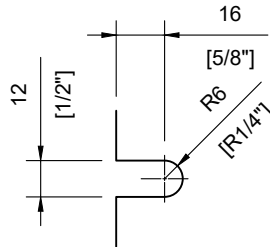
Welded Base Plate
Scale: 1:2



#SSGC301XX16
Scale: 1:2



Glass Cut-out
Scale: 1:2



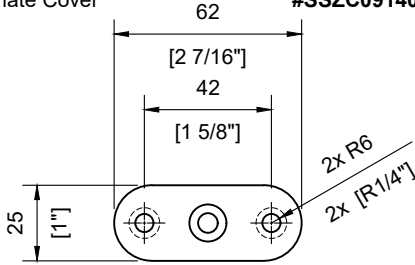
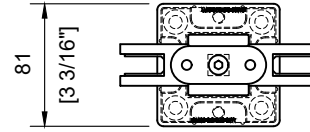
#SSPE36STLM
Scale: 1:5

TECHNICAL SPECIFICATION:

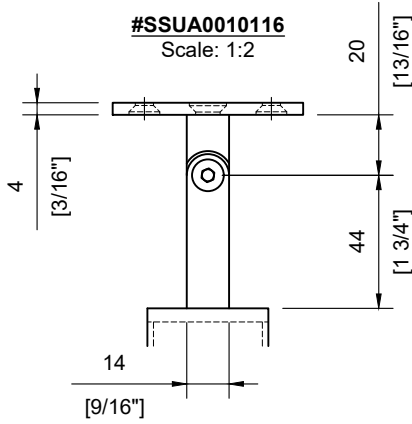
Product Code: **#SSPE36STLB_**
 Post Type: Square Post
 Post Size: 40mm [1-9/16"] x 40mm [1-9/16"]
 Post Thickness: 2mm [1/16"]
 Post Height: 1011mm [39-13/16"]
 Post Configuration: Stair Line Post - Back
 Post Material: Stainless Steel 304 & 316
 Post Finish: **B** - Powder Coated Black (SS304)
S - Satin Stainless Steel (SS316)

INCLUDED:

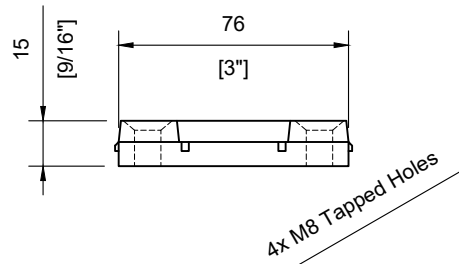
Rubber Gasket 10mm
 Glass Clips **#SSGC301XX16_**
 Handrail Attachment Plate **#SSUA0010116_**
 Plate Cover **#SSZC0914004_**



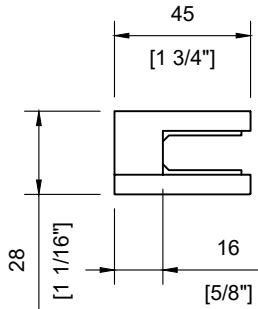
#SSUA0010116
Scale: 1:2



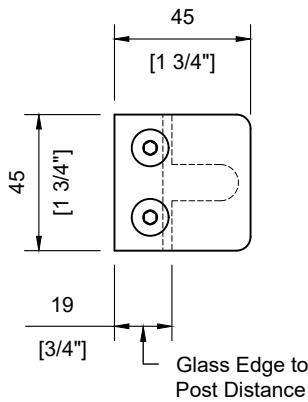
Welded Tube Swivel Support
Scale: 1:2



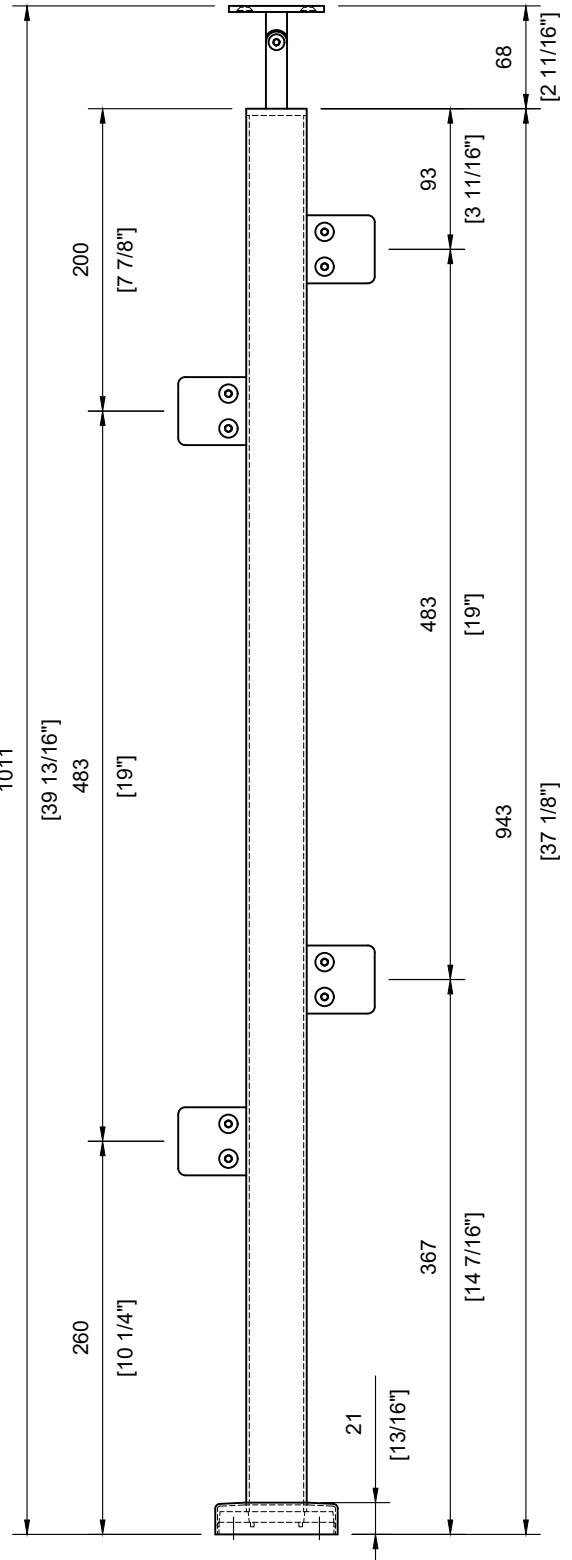
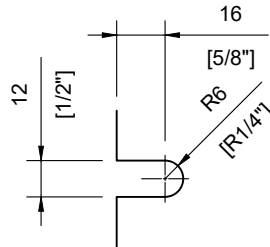
Welded Base Plate
Scale: 1:2



#SSGC301XX16
Scale: 1:2



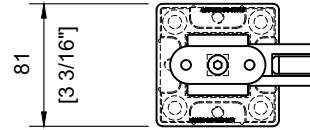
Glass Cut-out
Scale: 1:2



#SSPE36STLB
Scale: 1:5

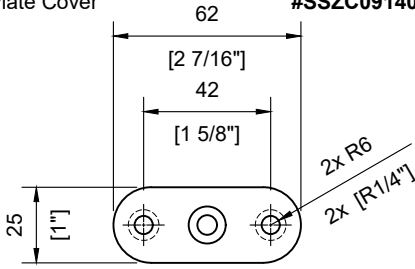
TECHNICAL SPECIFICATION:

Product Code: **#SSPE36STEF_**
 Post Type: Square Post
 Post Size: 40mm [1-9/16"] x 40mm [1-9/16"]
 Post Thickness: 2mm [1/16"]
 Post Height: 926mm [36-7/16"]
 Post Configuration: Stair End Post - Front
 Post Material: Stainless Steel 304 & 316
 Post Finish: **B** - Powder Coated Black (SS304)
S - Satin Stainless Steel (SS316)

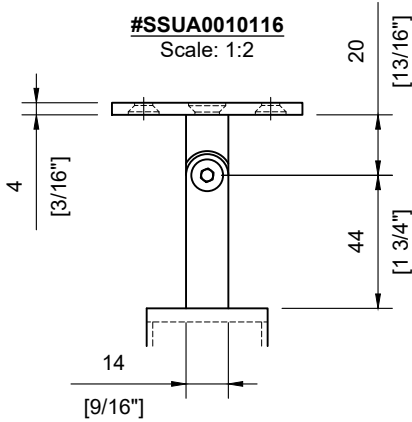


INCLUDED:

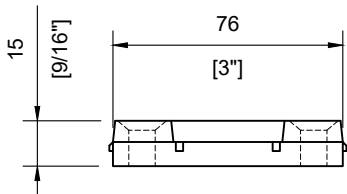
Rubber Gasket 10mm
 Glass Clips **#SSGC301XX16_**
 Handrail Attachment Plate **#SSUA0010116_**
 Plate Cover **#SSZC0914004_**



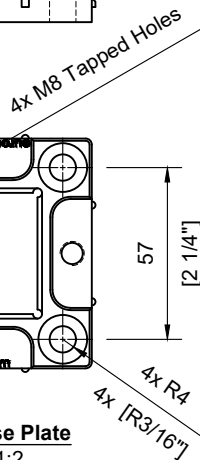
#SSUA0010116
Scale: 1:2



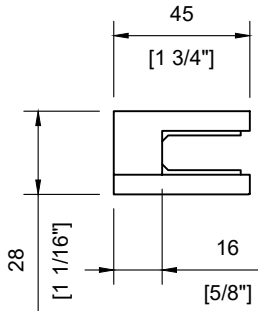
Welded Tube Swivel Support
Scale: 1:2



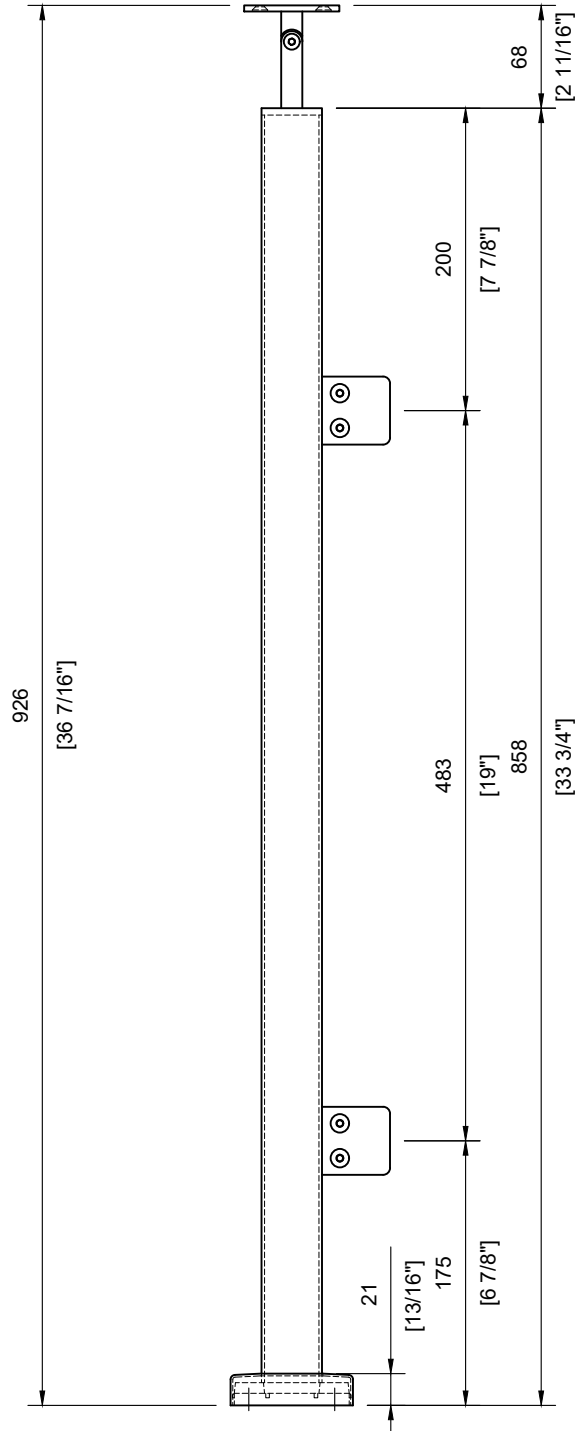
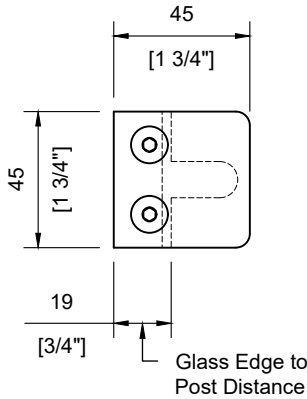
Welded Base Plate
Scale: 1:2



Glass Cut-out
Scale: 1:2



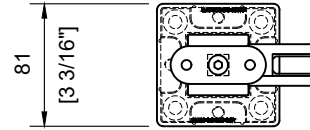
#SSGC301XX16
Scale: 1:2



#SSPE36STEF
Scale: 1:5

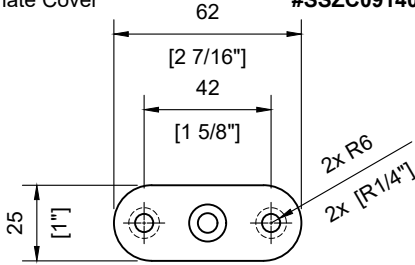
TECHNICAL SPECIFICATION:

Product Code: **#SSPE36STEM_**
 Post Type: Square Post
 Post Size: 40mm [1-9/16"] x 40mm [1-9/16"]
 Post Thickness: 2mm [1/16"]
 Post Height: 958mm [37-11/16"]
 Post Configuration: Stair End Post - Middle
 Post Material: Stainless Steel 304 & 316
 Post Finish: **B** - Powder Coated Black (SS304)
 S - Satin Stainless Steel (SS316)

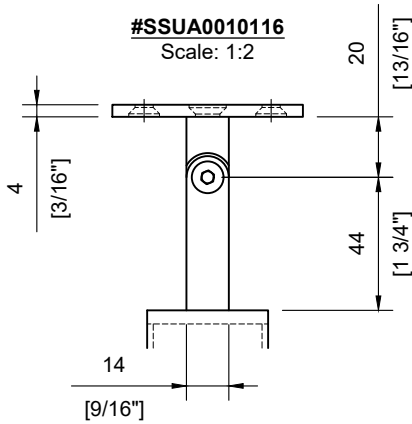


INCLUDED:

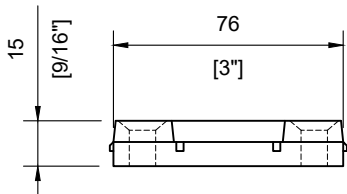
Rubber Gasket 10mm
 Glass Clips **#SSGC301XX16_**
 Handrail Attachment Plate **#SSUA0010116_**
 Plate Cover **#SSZC0914004_**



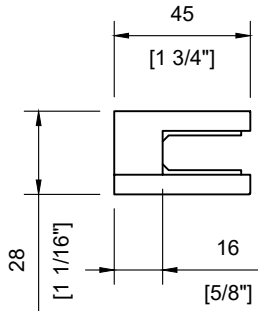
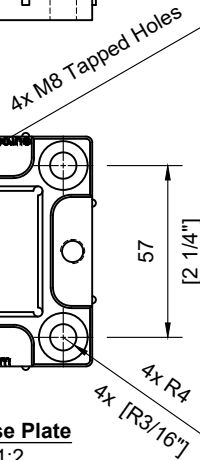
#SSUA0010116
Scale: 1:2



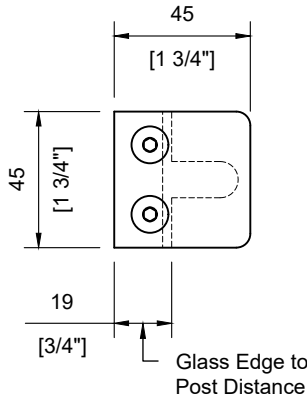
Welded Tube Swivel Support
Scale: 1:2



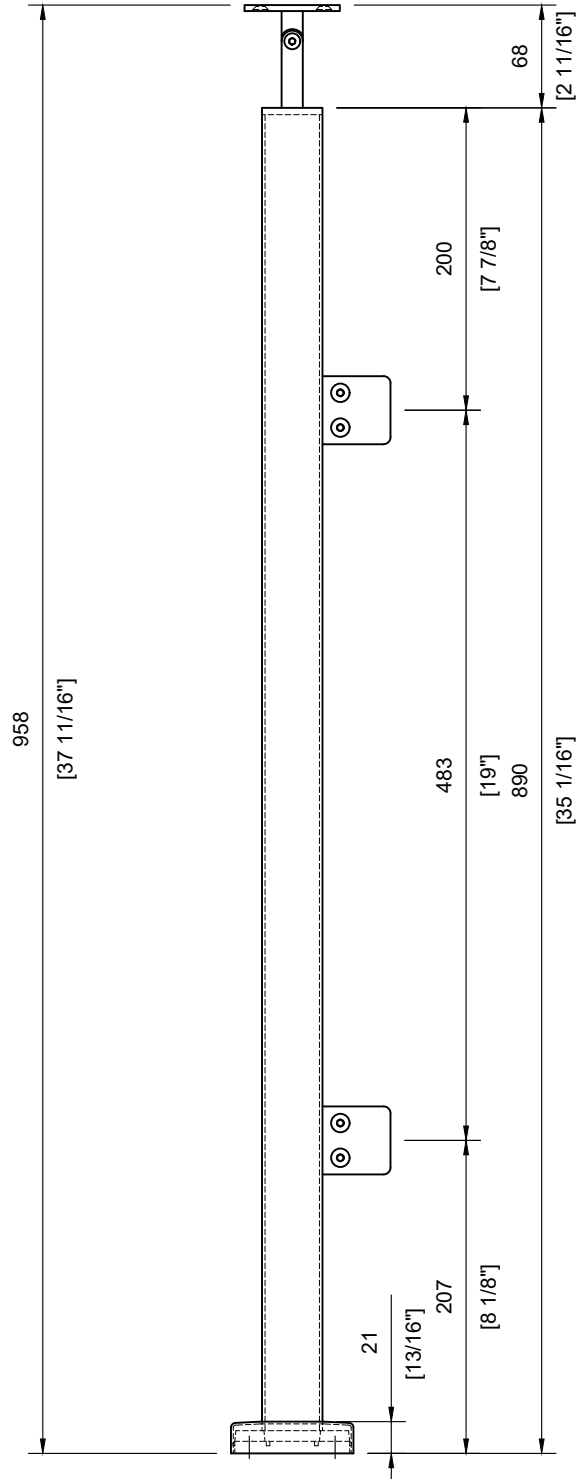
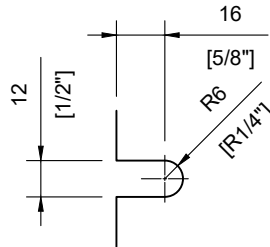
Welded Base Plate
Scale: 1:2



#SSGC301XX16
Scale: 1:2



Glass Cut-out
Scale: 1:2



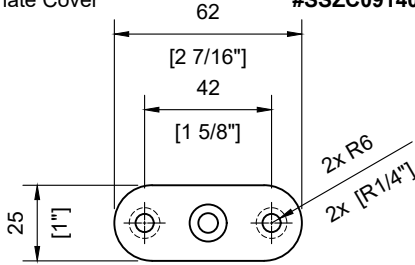
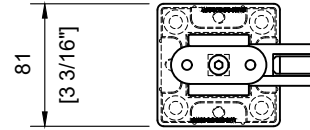
#SSPE36STEM
Scale: 1:5

TECHNICAL SPECIFICATION:

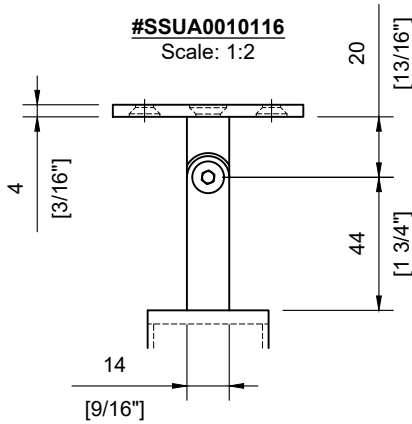
Product Code: **#SSPE36STEB_**
 Post Type: Square Post
 Post Size: 40mm [1-9/16"] x 40mm [1-9/16"]
 Post Thickness: 2mm [1/16"]
 Post Height: 1011mm [39-13/16"]
 Post Configuration: Stair End Post - Back
 Post Material: Stainless Steel 304 & 316
 Post Finish: **B** - Powder Coated Black (SS304)
S - Satin Stainless Steel (SS316)

INCLUDED:

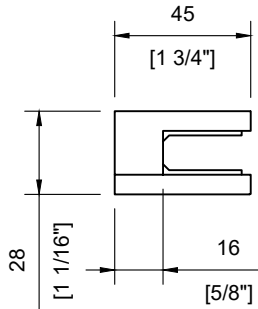
Rubber Gasket 10mm
 Glass Clips **#SSGC301XX16_**
 Handrail Attachment Plate **#SSUA0010116_**
 Plate Cover **#SSZC0914004_**



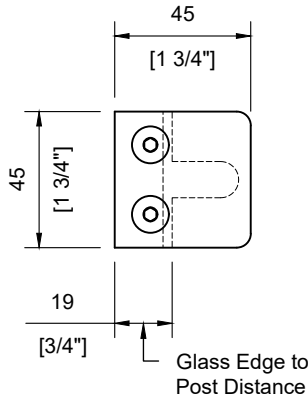
#SSUA0010116
Scale: 1:2



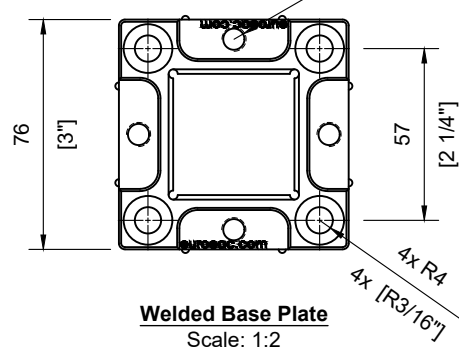
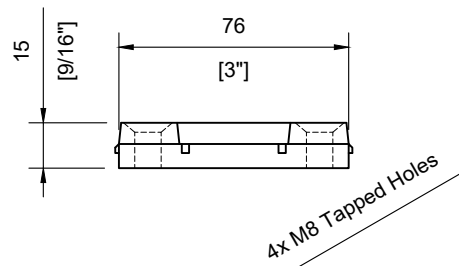
Welded Tube Swivel Support
Scale: 1:2



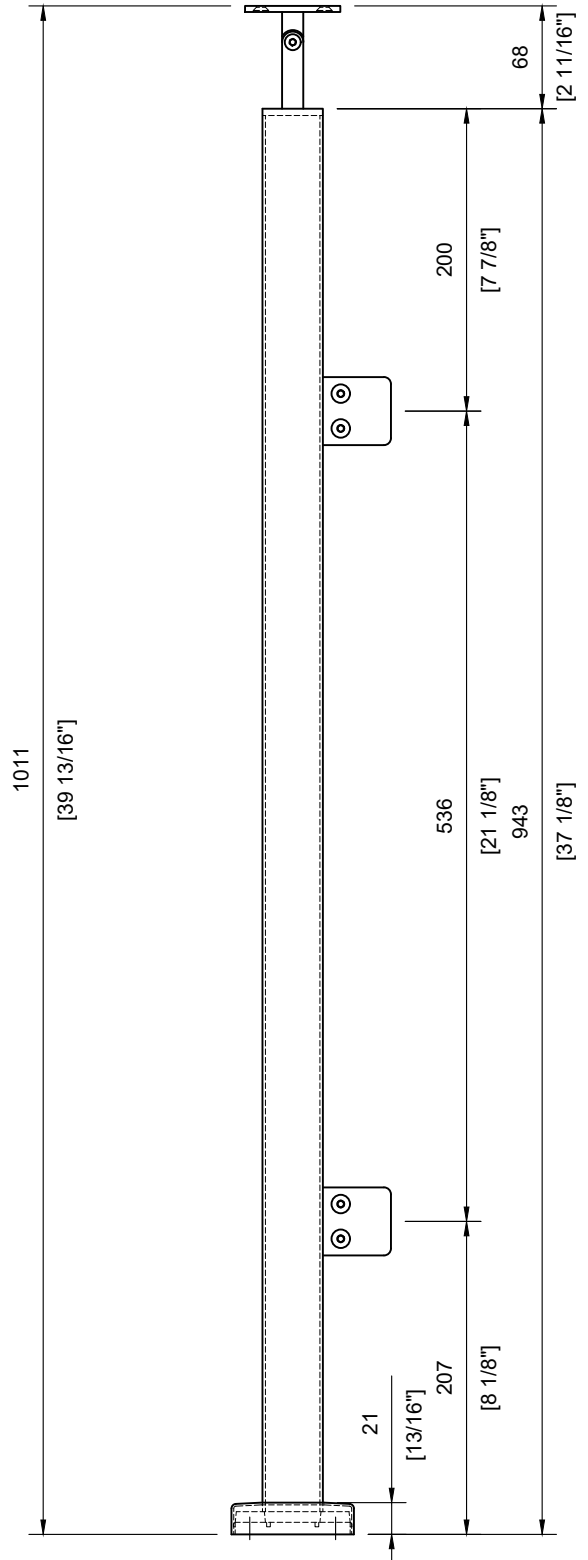
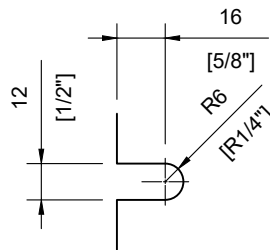
#SSGC301XX16
Scale: 1:2



Glass Cut-out
Scale: 1:2



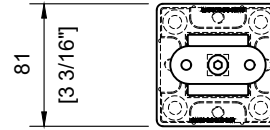
Welded Base Plate
Scale: 1:2



#SSPE36STEB
Scale: 1:5

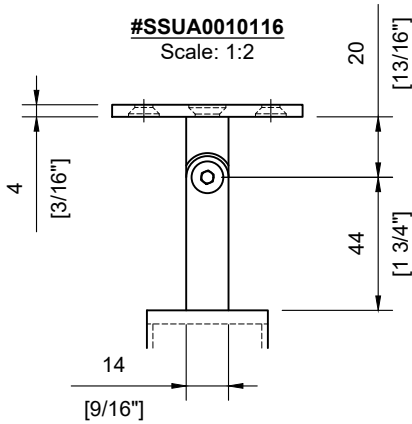
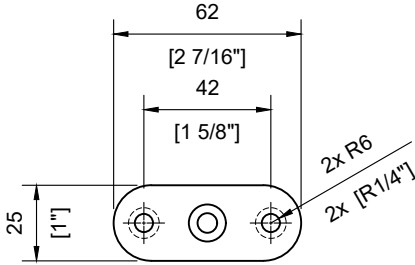
TECHNICAL SPECIFICATION:

Product Code: **#SSPE36STBF_**
 Post Type: Square Post
 Post Size: 40mm [1-9/16"] x 40mm [1-9/16"]
 Post Thickness: 2mm [1/16"]
 Post Height: 926mm [36-7/16"]
 Post Configuration: Stair Blank Post - Front
 Post Material: Stainless Steel 304 & 316
 Post Finish: **B** - Powder Coated Black (SS304)
 S - Satin Stainless Steel (SS316)

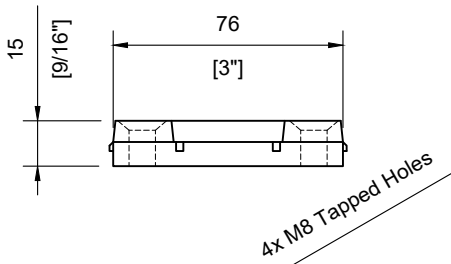


INCLUDED:

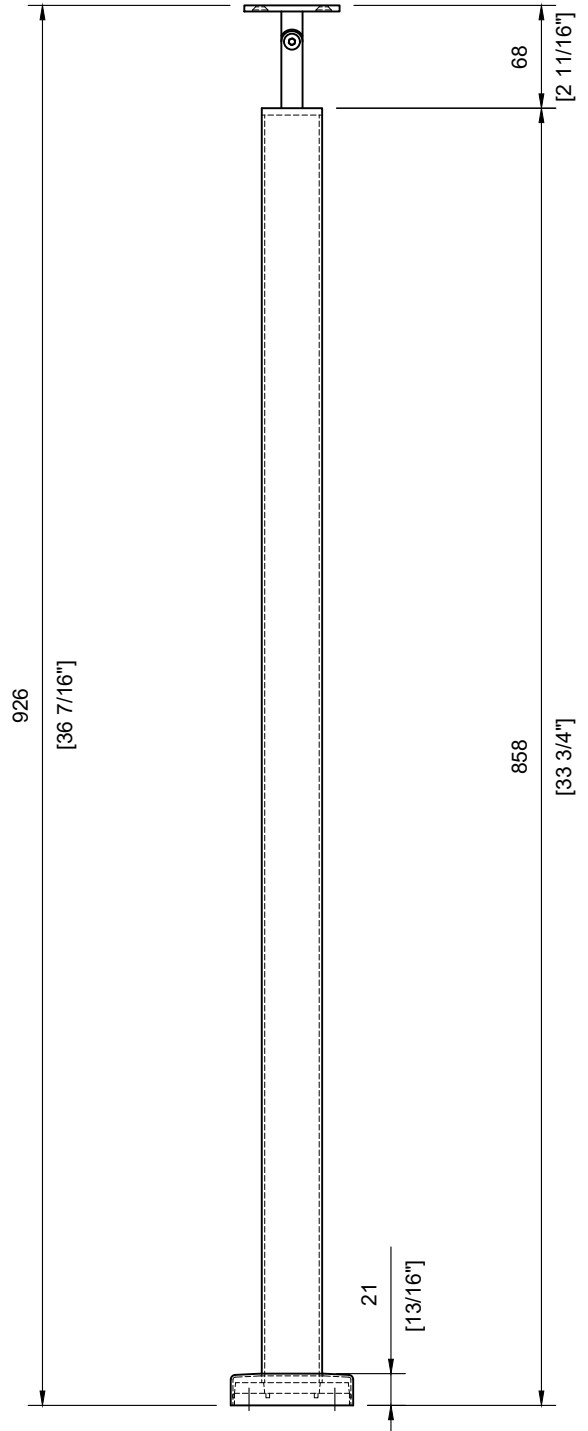
Handrail Attachment Plate **#SSUA0010116_**
 Plate Cover **#SSZC0914004_**



Welded Tube Swivel Support
Scale: 1:2



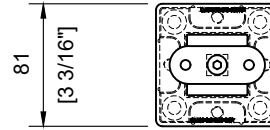
Welded Base Plate
Scale: 1:2



#SSPE36STBF
Scale: 1:5

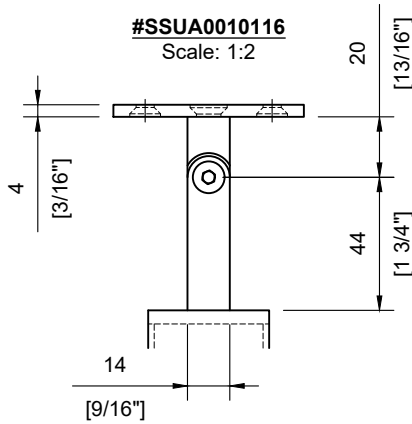
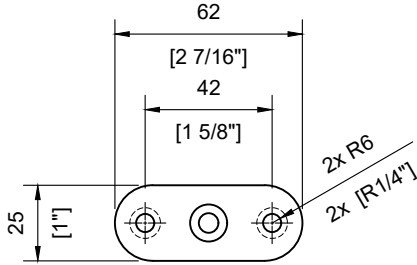
TECHNICAL SPECIFICATION:

Product Code: **#SSPE36STBM_**
 Post Type: Square Post
 Post Size: 40mm [1-9/16"] x 40mm [1-9/16"]
 Post Thickness: 2mm [1/16"]
 Post Height: 958mm [37-11/16"]
 Post Configuration: Stair Blank Post - Middle
 Post Material: Stainless Steel 304 & 316
 Post Finish: **B** - Powder Coated Black (SS304)
 S - Satin Stainless Steel (SS316)

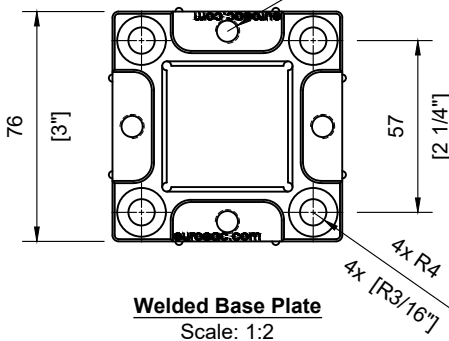
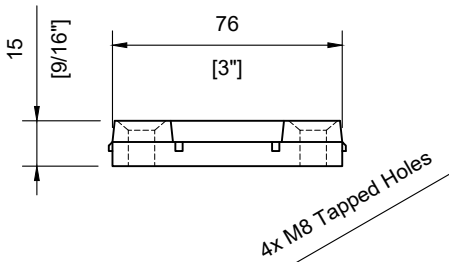


INCLUDED:

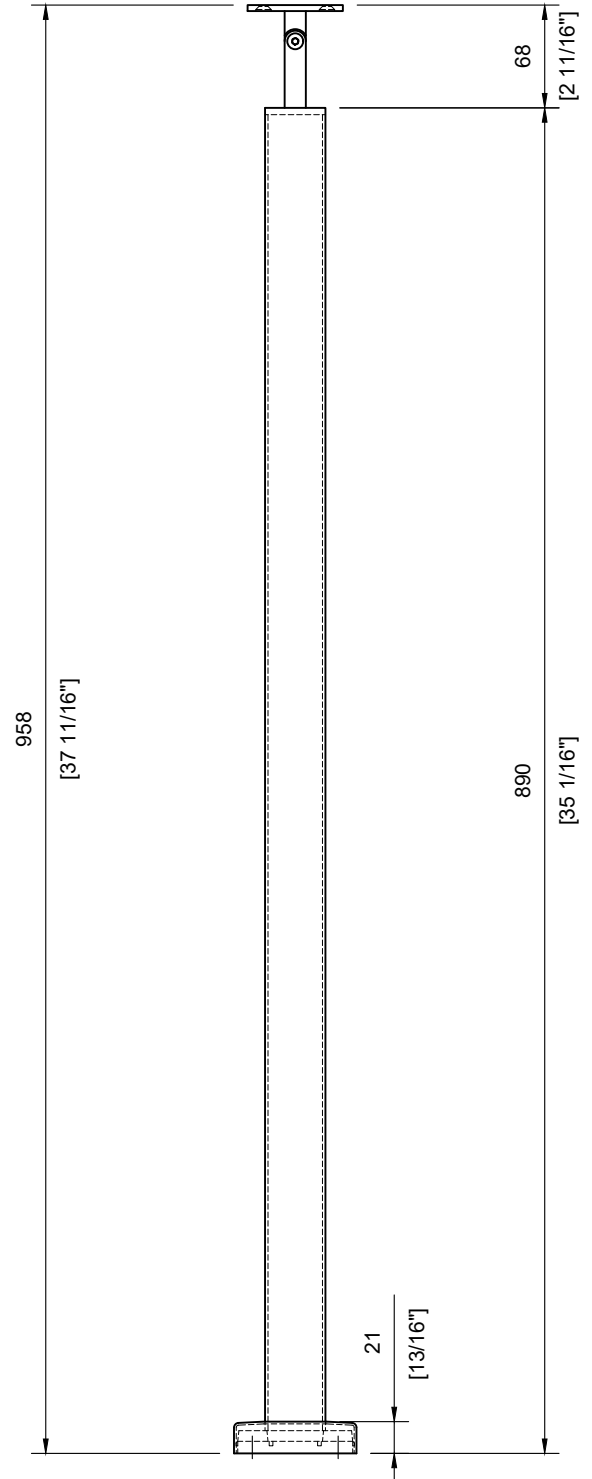
Handrail Attachment Plate **#SSUA0010116_**
 Plate Cover **#SSZC0914004_**



Welded Tube Swivel Support
Scale: 1:2



Welded Base Plate
Scale: 1:2



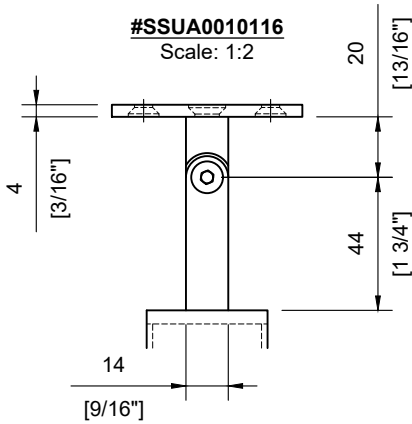
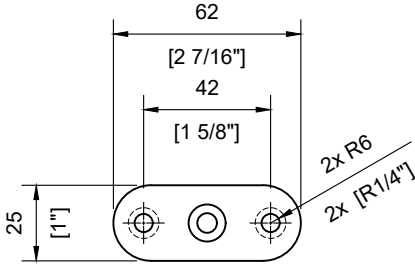
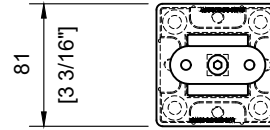
#SSPE36STBM
Scale: 1:5

TECHNICAL SPECIFICATION:

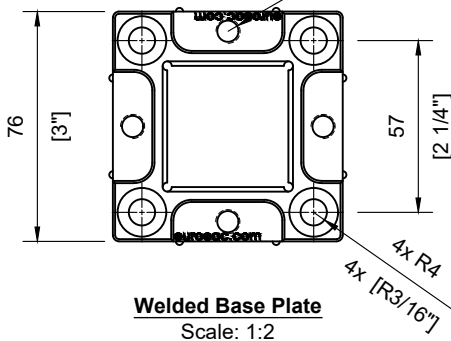
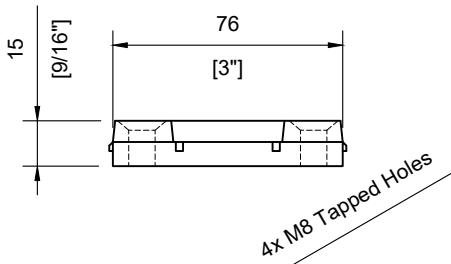
Product Code: **#SSPE36STBB_**
 Post Type: Square Post
 Post Size: 40mm [1-9/16"] x 40mm [1-9/16"]
 Post Thickness: 2mm [1/16"]
 Post Height: 1011mm [39-13/16"]
 Post Configuration: Stair Blank Post - Back
 Post Material: Stainless Steel 304 & 316
 Post Finish: **B** - Powder Coated Black (SS304)
 S - Satin Stainless Steel (SS316)

INCLUDED:

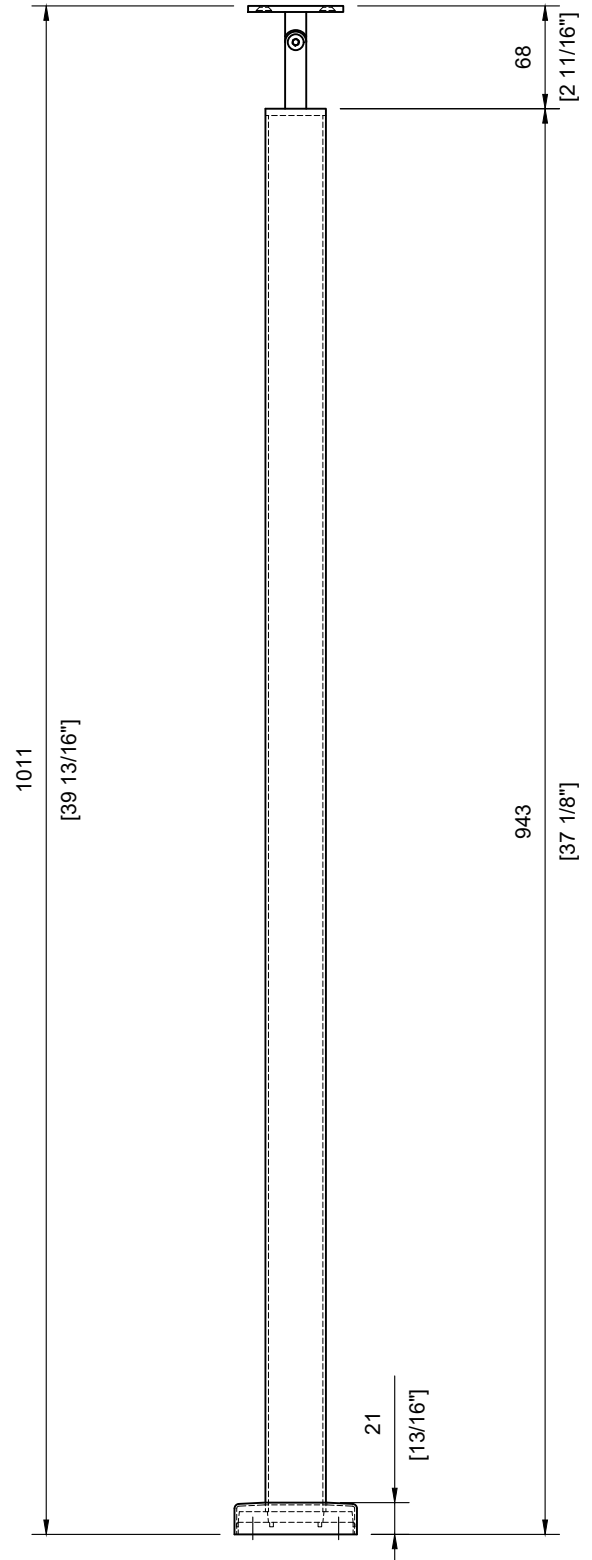
Handrail Attachment Plate **#SSUA0010116_**
 Plate Cover **#SSZC0914004_**



Welded Tube Swivel Support
 Scale: 1:2



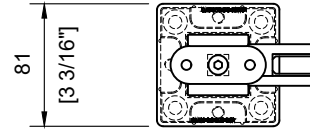
Welded Base Plate
 Scale: 1:2



#SSPE36STBB
 Scale: 1:5

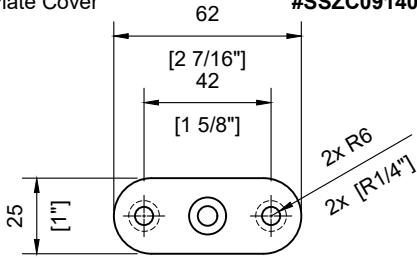
TECHNICAL SPECIFICATION:

Product Code: **#SSPE36LNDE_**
 Post Type: Square Post
 Post Size: 40mm [1-9/16"] x 40mm [1-9/16"]
 Post Thickness: 2mm [1/16"]
 Post Height: 881mm [34-11/16"]
 Post Configuration: Landing End Post - 36"
 Post Material: Stainless Steel 304 & 316
 Post Finish: **B** - Powder Coated Black (SS304)
 S - Satin Stainless Steel (SS316)

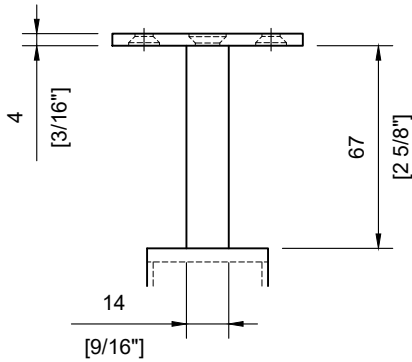


INCLUDED:

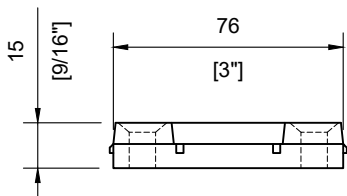
Rubber Gasket 10mm
 Glass Clips **#SSGC301XX16_**
 Handrail Attachment Plate **#SSUA0010116_**
 Plate Cover **#SSZC0914004_**



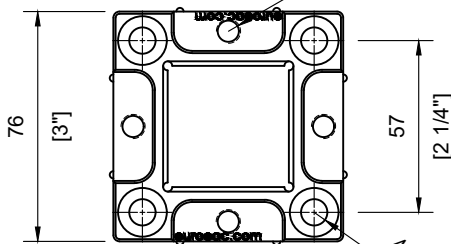
#SSUA0010116
Scale: 1:2



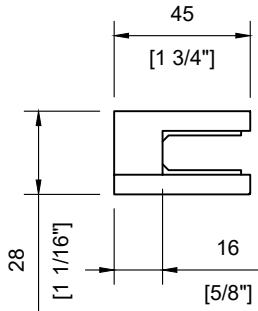
Welded Tube Swivel Support
Scale: 1:2



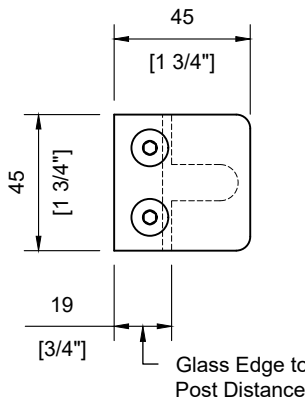
4x M8 Tapped Holes



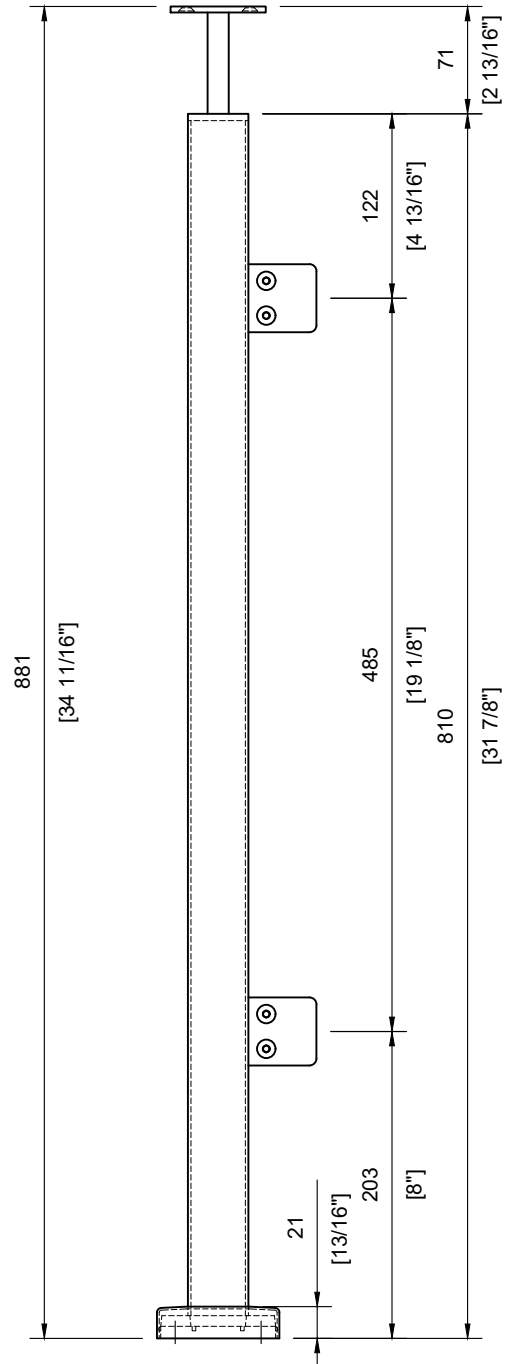
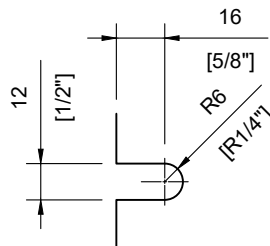
Welded Base Plate
Scale: 1:2



#SSGC301XX16
Scale: 1:2



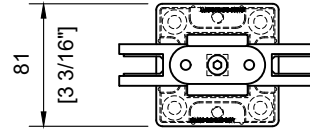
Glass Cut-out
Scale: 1:2



#SSPE36LNDE
Scale: 1:5

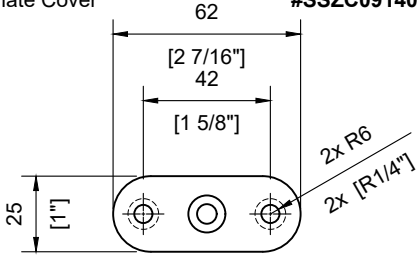
TECHNICAL SPECIFICATION:

Product Code: **#SSPE36LNDL_**
 Post Type: Square Post
 Post Size: 40mm [1-9/16"] x 40mm [1-9/16"]
 Post Thickness: 2mm [1/16"]
 Post Height: 881mm [34-11/16"]
 Post Configuration: Landing Line Post - 36"
 Post Material: Stainless Steel 304 & 316
 Post Finish: **B** - Powder Coated Black (SS304)
 S - Satin Stainless Steel (SS316)

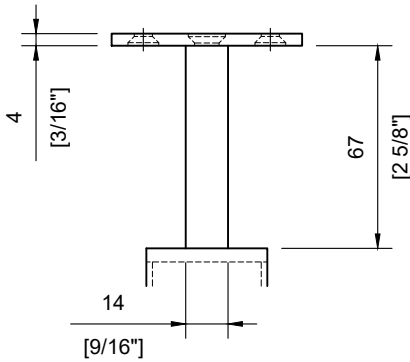


INCLUDED:

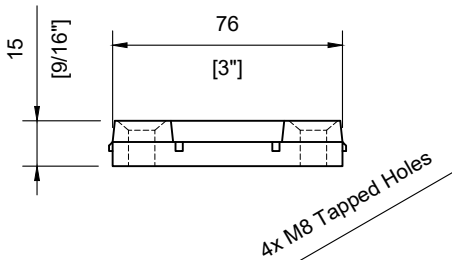
Rubber Gasket 10mm
 Glass Clips **#SSGC301XX16_**
 Handrail Attachment Plate **#SSUA0010116_**
 Plate Cover **#SSZC0914004_**



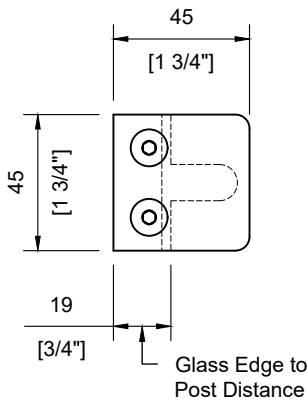
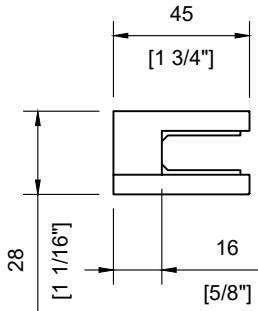
#SSUA0010116
Scale: 1:2



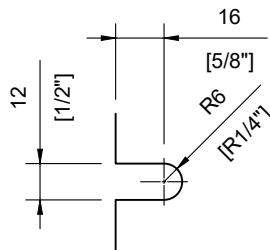
Welded Tube Swivel Support
Scale: 1:2



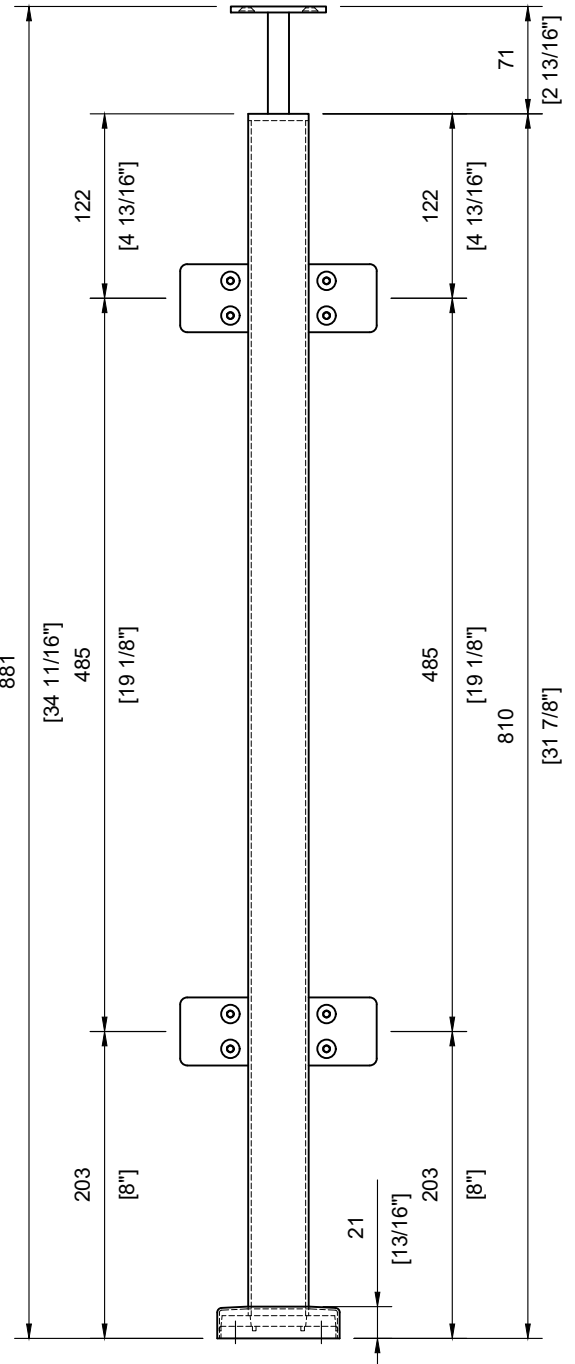
Welded Base Plate
Scale: 1:2



#SSGC301XX16
Scale: 1:2



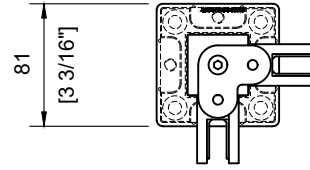
Glass Cut-out
Scale: 1:2



#SSPE36LNDL
Scale: 1:5

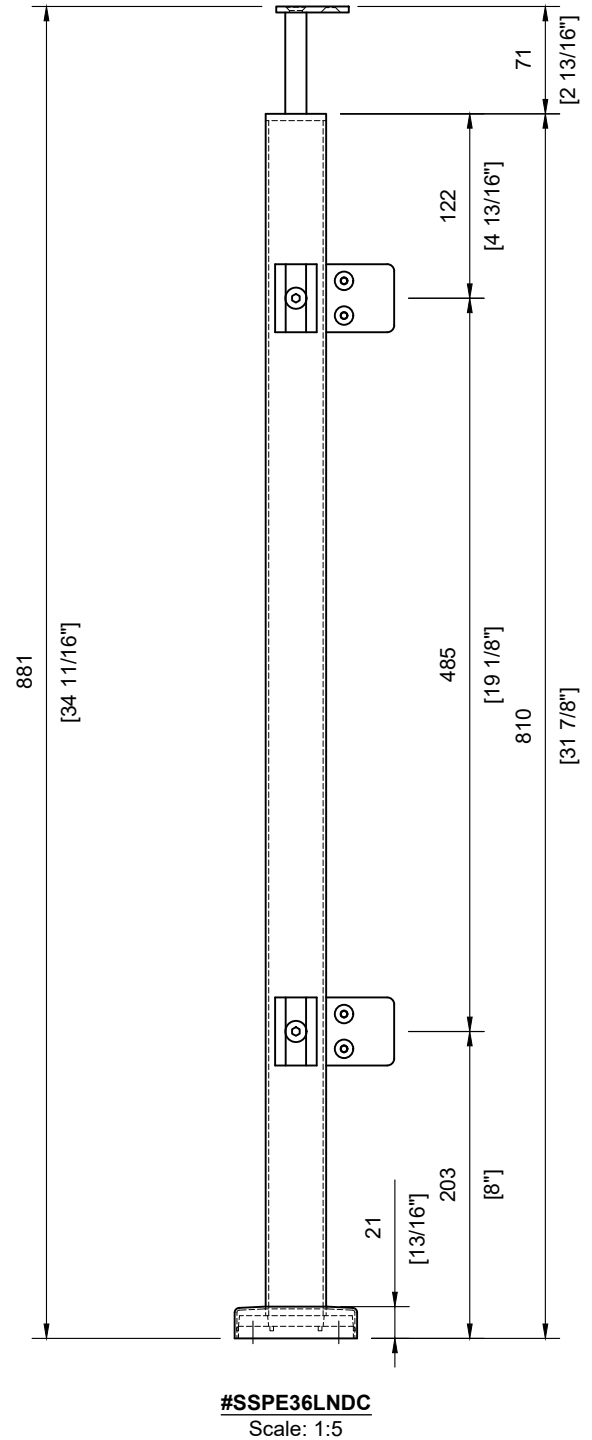
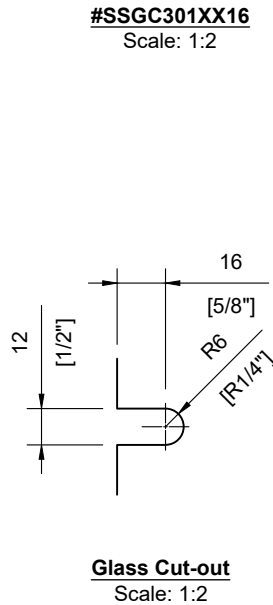
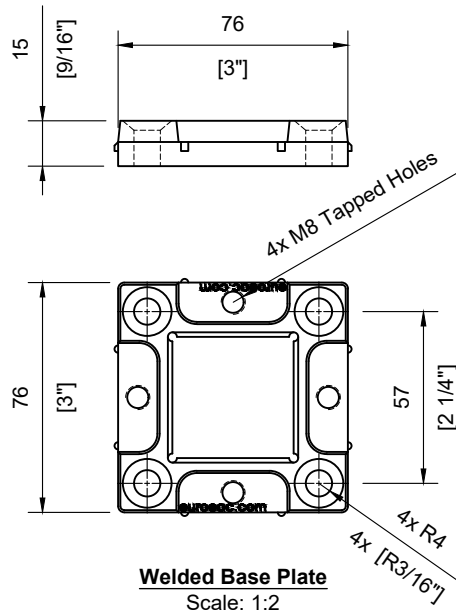
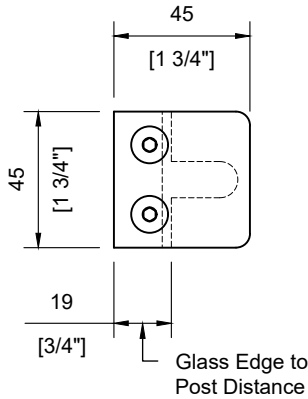
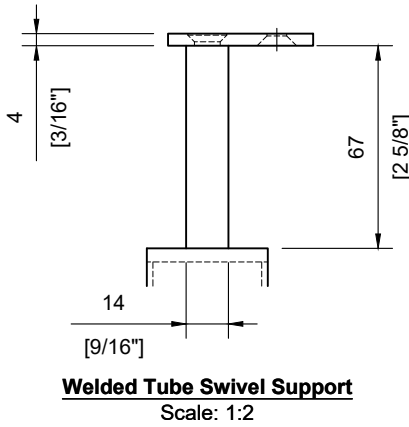
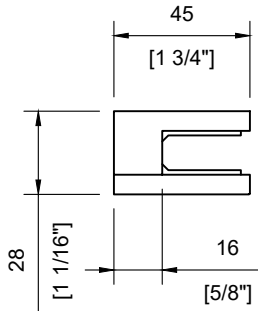
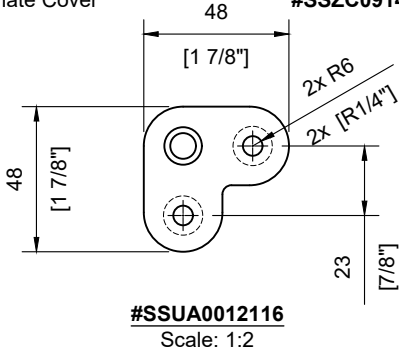
TECHNICAL SPECIFICATION:

Product Code: **#SSPE36LNDC_**
 Post Type: Square Post
 Post Size: 40mm [1-9/16"] x 40mm [1-9/16"]
 Post Thickness: 2mm [1/16"]
 Post Height: 881mm [34-11/16"]
 Post Configuration: Landing Corner Post - 36"
 Post Material: Stainless Steel 304 & 316
 Post Finish: **B** - Powder Coated Black (SS304)
 S - Satin Stainless Steel (SS316)



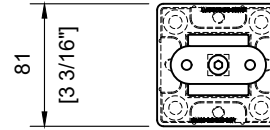
INCLUDED:

Rubber Gasket 10mm
 Glass Clips **#SSGC301XX16_**
 Handrail Attachment Plate **#SSUA0012116_**
 Plate Cover **#SSZC0914004_**



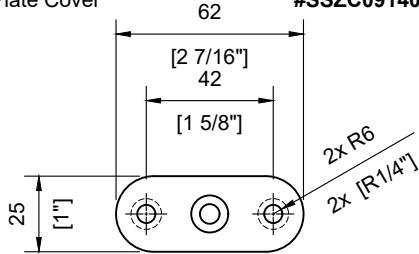
TECHNICAL SPECIFICATION:

Product Code: **#SSPE36LNDB_**
 Post Type: Square Post
 Post Size: 40mm [1-9/16"] x 40mm [1-9/16"]
 Post Thickness: 2mm [1/16"]
 Post Height: 881mm [34-11/16"]
 Post Configuration: Landing Blank Post - 36"
 Post Material: Stainless Steel 304 & 316
 Post Finish: **B** - Powder Coated Black (SS304)
 S - Satin Stainless Steel (SS316)

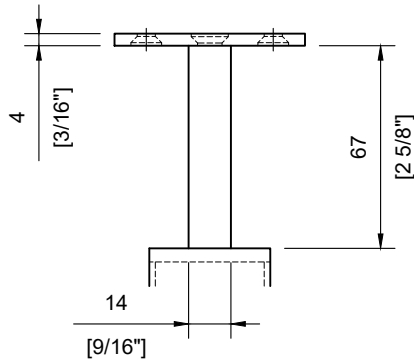


INCLUDED:

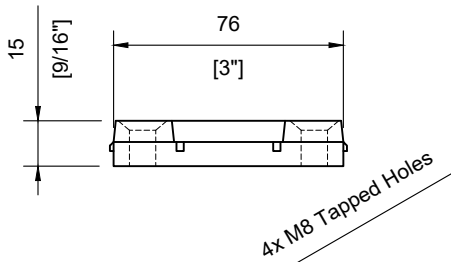
Rubber Gasket 10mm
 Glass Clips **#SSGC301XX16_**
 Handrail Attachment Plate **#SSUA0010116_**
 Plate Cover **#SSZC0914004_**



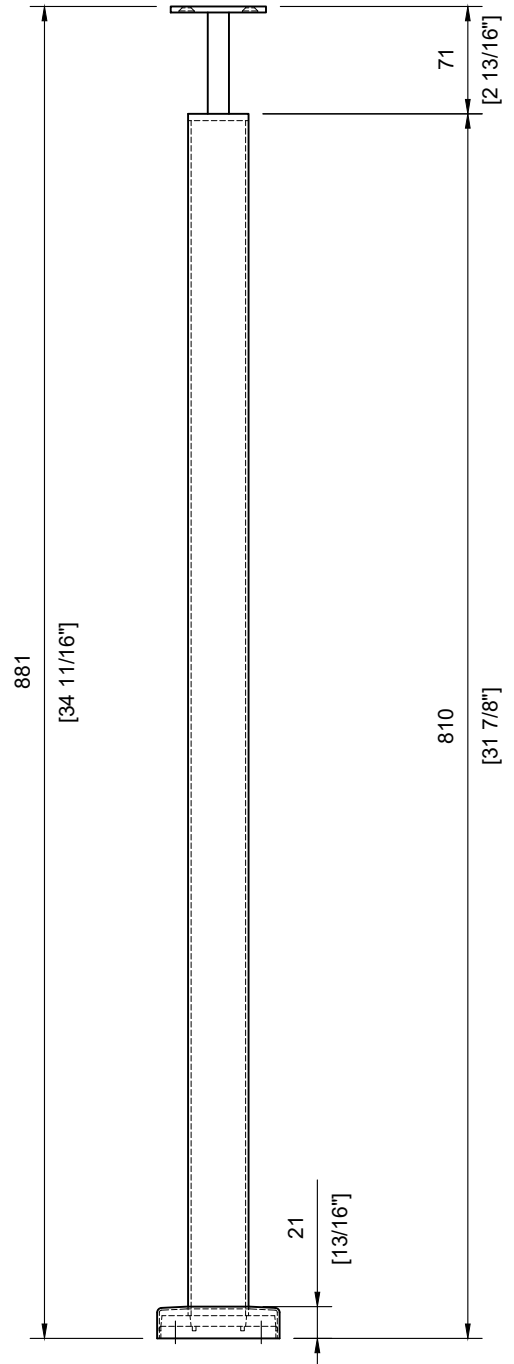
#SSUA0010116
 Scale: 1:2



Welded Tube Swivel Support
 Scale: 1:2



Welded Base Plate
 Scale: 1:2



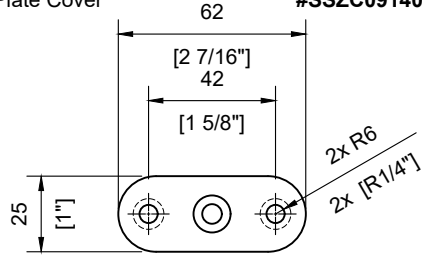
#SSPE36LNDB
 Scale: 1:5

TECHNICAL SPECIFICATION:

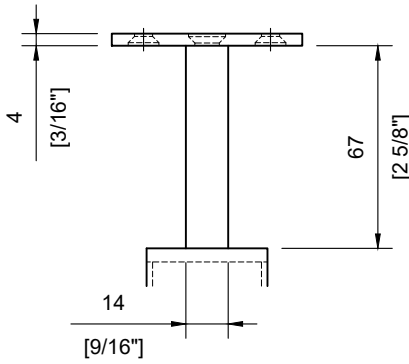
Product Code: **#SSPE42LNDE_**
 Post Type: Square Post
 Post Size: 40mm [1-9/16"] x 40mm [1-9/16"]
 Post Thickness: 2mm [1/16"]
 Post Height: 1032mm [40-5/8"]
 Post Configuration: Landing End Post - 42"
 Post Material: Stainless Steel 304 & 316
 Post Finish: **B** - Powder Coated Black (SS304)
S - Satin Stainless Steel (SS316)

INCLUDED:

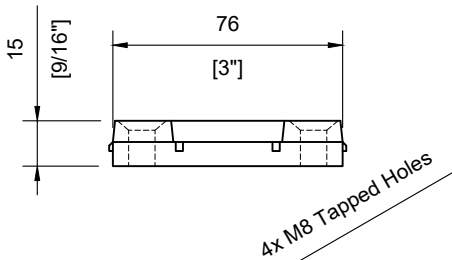
Rubber Gasket 10mm
 Glass Clips **#SSGC301XX16_**
 Handrail Attachment Plate **#SSUA0010116_**
 Plate Cover **#SSZC0914004_**



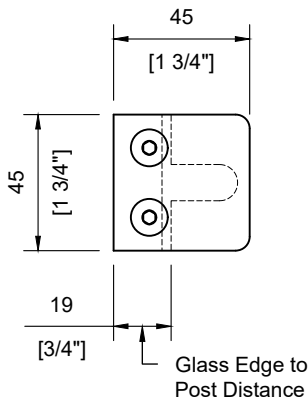
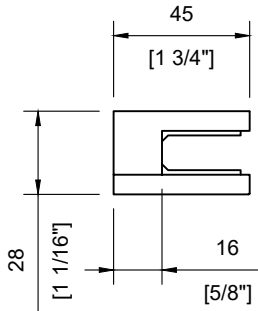
#SSUA0010116
Scale: 1:2



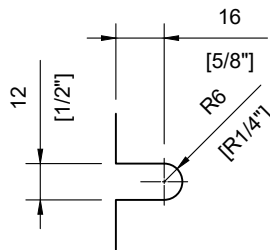
Welded Tube Swivel Support
Scale: 1:2



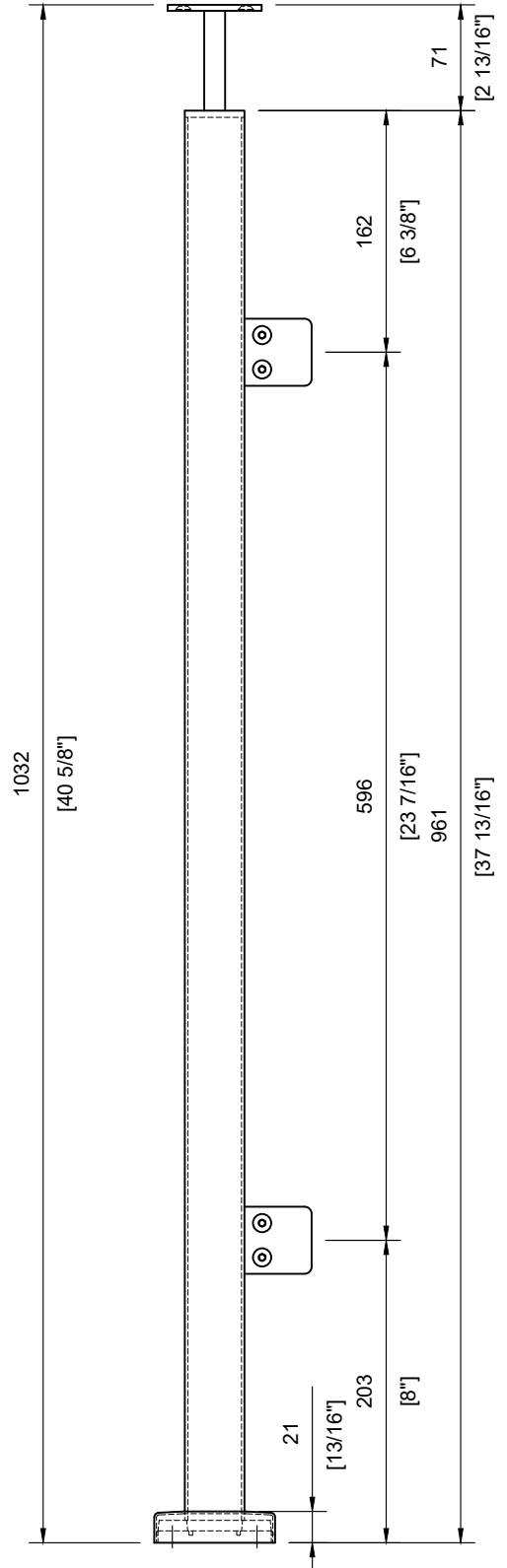
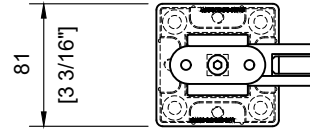
Welded Base Plate
Scale: 1:2



#SSGC301XX16
Scale: 1:2



Glass Cut-out
Scale: 1:2



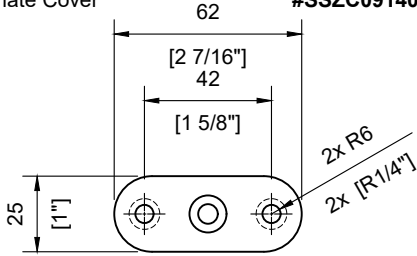
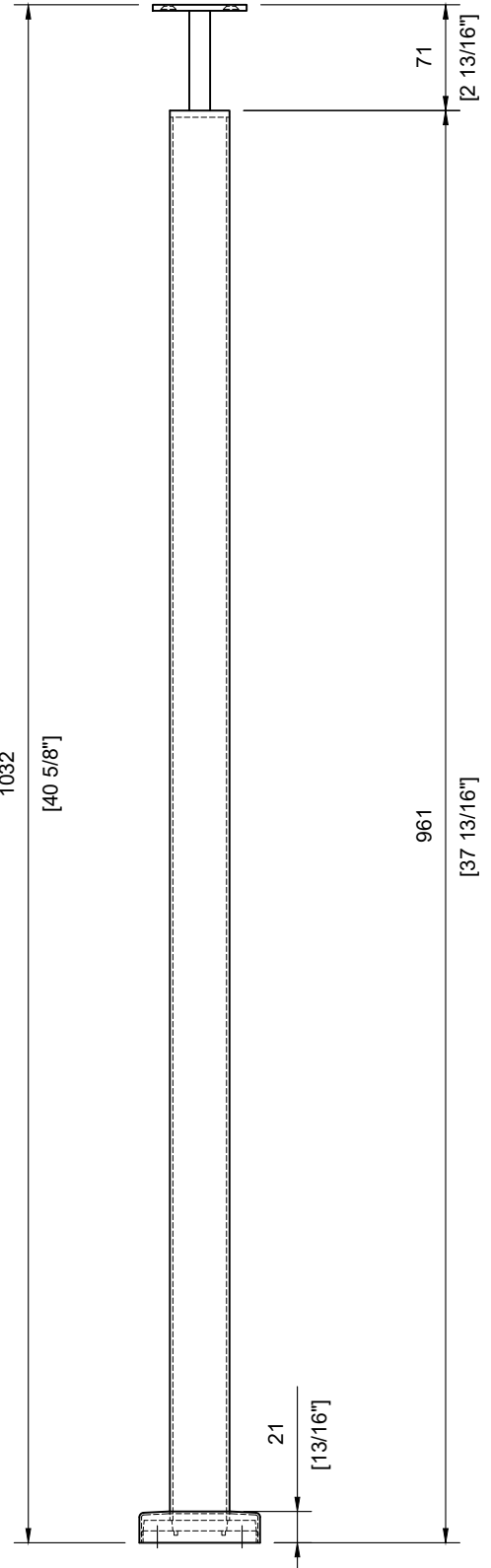
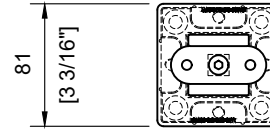
#SSPE42LNDE
Scale: 1:5

TECHNICAL SPECIFICATION:

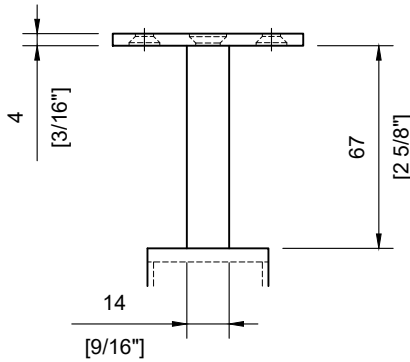
Product Code: **#SSPE42LNDB_**
 Post Type: Square Post
 Post Size: 40mm [1-9/16"] x 40mm [1-9/16"]
 Post Thickness: 2mm [1/16"]
 Post Height: 1032mm [40-5/8"]
 Post Configuration: Landing Blank Post - 42"
 Post Material: Stainless Steel 304 & 316
 Post Finish: **B** - Powder Coated Black (SS304)
S - Satin Stainless Steel (SS316)

INCLUDED:

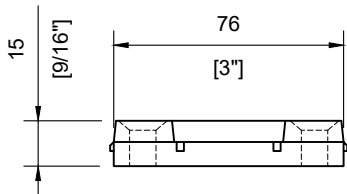
Rubber Gasket 10mm
 Glass Clips **#SSGC301XX16_**
 Handrail Attachment Plate **#SSUA0010116_**
 Plate Cover **#SSZC0914004_**



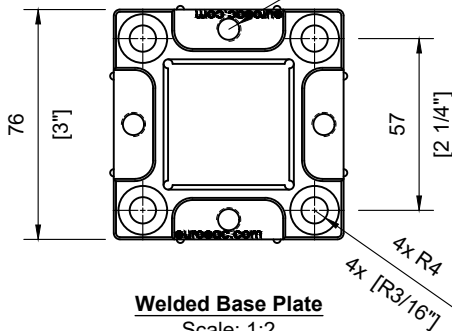
#SSUA0010116
 Scale: 1:2



Welded Tube Swivel Support
 Scale: 1:2



4x M8 Tapped Holes



Welded Base Plate
 Scale: 1:2

#SSPE42LNDB
 Scale: 1:5