

Pre-cut Monolithic Tempered Glass Panels

for Railings, Fencing & Gates

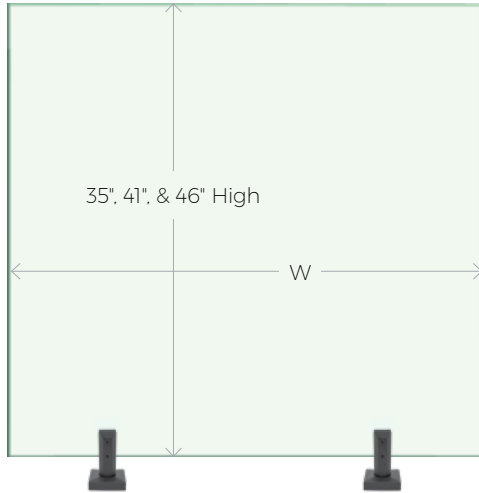


GLASS PANELS

- 12mm panels with flat polished sides and chamfered edges.
- Applicable to both interior and exterior uses.
- We stock 12" to 72" wide and 35", 41" & 46" tall panels.

- Works with EAC's patented TILT-LOCK™ Tilt Adjustable Base Shoes & Spigots.
- All panels are in accordance with CAN/CGSB 12.1-2017 & ANSI Z97.1-2015 Certified by SGCC®.

Complies with code requirements when installed with EAC's TILT-LOCK™ Tilt Adjustable Base Shoes & Spigots with a Cap Rail.



PLAIN PANEL

35" High x W

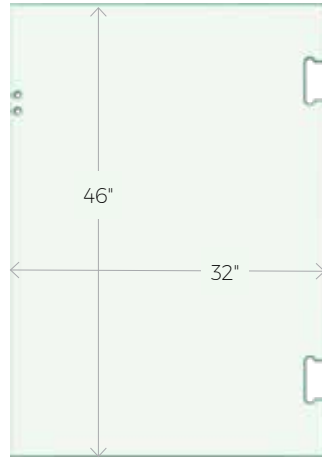
GGT123530	30"
GGT123532	32"
GGT123534	34"
GGT123536	36"
GGT123538	38"
GGT123540	40"
GGT123542	42"
GGT123544	44"
GGT123546	46"
GGT123548	48"
GGT123550	50"
GGT123554	54"
GGT123560	60"
GGT123572	72"

41" High x W

GGT124112	12"
GGT124116	16"
GGT124118	18"
GGT124120	20"
GGT124122	22"
GGT124124	24"
GGT124126	26"
GGT124128	28"
GGT124130	30"
GGT124132	32"
GGT124134	34"
GGT124136	36"
GGT124138	38"
GGT124140	40"
GGT124142	42"
GGT124144	44"
GGT124146	46"
GGT124148	48"
GGT124150	50"
GGT124152	52"
GGT124154	54"
GGT124156	56"
GGT124158	58"
GGT124160	60"
GGT124162	62"
GGT124164	64"
GGT124166	66"
GGT124168	68"
GGT124172	72"

46" High x W

GGT124624	24"
GGT124628	28"
GGT124632	32"
GGT124636	36"
GGT124640	40"
GGT124642	42"
GGT124644	44"
GGT124646	46"
GGT124648	48"
GGT124650	50"
GGT124652	52"
GGT124654	54"
GGT124656	56"
GGT124658	58"
GGT124660	60"
GGT124662	62"
GGT124664	64"
GGT124666	66"
GGT124668	68"
GGT124670	70"
GGT124672	72"



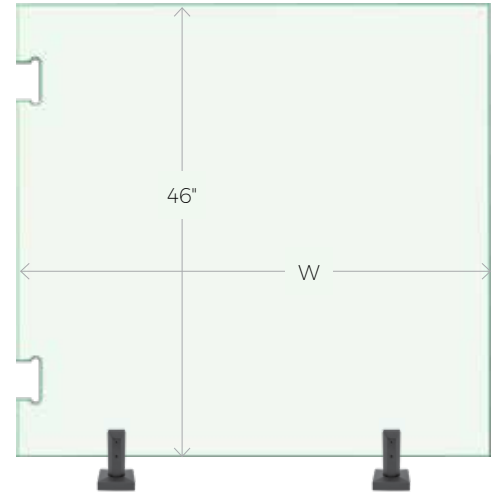
GATE PANEL

Series 1

PART #	H	W
GGT124632G1	46"	32"

Series 2

PART #	H	W
GGT124632G2	46"	32"



HINGE PANEL

Series 1

PART #	H	W
GGT124648G1	46"	48"

Series 2

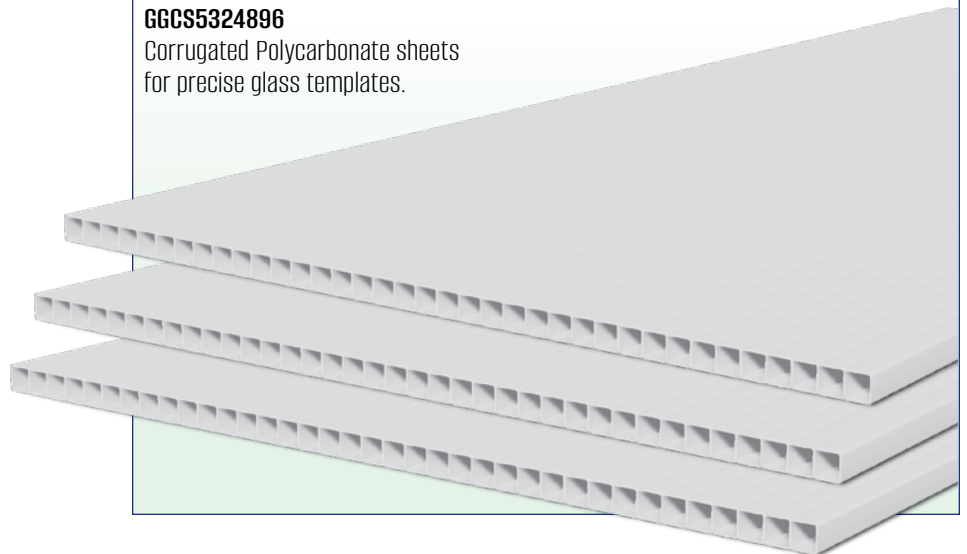
PART #	H	W
GGT124648G2	46"	48"
GGT124654G2	46"	54"
GGT124660G2	46"	60"

Series 1 and Series 2 Gate and Hinge Panels have designated cut-outs to accommodate the hinges and latches specified on the opposite page.

4'X8' CORRUGATED POLYCARBONATE SHEETS

GGCS5324896

Corrugated Polycarbonate sheets for precise glass templates.



Glass Profile



HINGES

USE WITH SERIES 1 PANELS



PART #	TYPE	APPLICATION
SSPFHHGGS	Hydraulic	Glass to Glass



PART #	TYPE	APPLICATION
SSPFHHGWS	Hydraulic	Glass to Wall or Square Post



PART #	TYPE	APPLICATION
SSPFH130G	Polaris	Glass to Glass

USE WITH SERIES 2 PANELS



PART #	TYPE	APPLICATION
SSPFH125G	Polaris 125	Glass to Glass



PART #	TYPE	APPLICATION
SSPFH125W	Polaris 125	Glass to Wall or Square Post

LATCHES

USE WITH SERIES 1 PANELS



PART #	TYPE	APPLICATION
SSPFGL180SSS	Standard	Glass to Glass



PART #	TYPE	APPLICATION
SSPFGL180S SSPFGL180B	Standard Keyed	Glass to Glass



PART #	TYPE	APPLICATION
SSPFGLWSSS	Standard	Glass to Wall or Square Post



PART #	TYPE	APPLICATION
SSPFGLWS SSPFGLWB	Standard Keyed	Glass to Wall or Square Post



PART #	TYPE	APPLICATION
SSPFGL90SSS	Standard	Glass to Glass 90°

USE WITH SERIES 2 PANELS



PART #	TYPE	APPLICATION
SSPFGL601G	Polaris 180	Glass to Glass



PART #	TYPE	APPLICATION
SSPFGL601W	Polaris 180	Glass to Wall or Square Post

GLASS HANDLING



Glass Trolleys

PART #	SIZE (LxWxH)
GGTTROLLEYS	1000 x 1100 x 1120mm
GGTTROLLEY	1500 x 1100 x 1120mm



Single Cup Lifter

PART #	CAPACITY
SSLIFTELITE	57 kg/125 lbs.



Double Cup Lifter

PART #	CAPACITY
SSLIFTELITE2	60 kg/132 lbs.

GLASS CARE



Sprayway Glass Cleaner

PART #	SIZE
GGCLEANER	539 g/19 oz.



Glass Scrub® Water Spot & Stain Remover

PART #	SIZE
GGCLEANER2	500 mL/16 fl. oz.



Invisible Shield® Protective Glass & Surface Coating

PART #	SIZE
GGCLEANER3	500 mL/16 fl. oz.



V3 JULY 2023

euroeac.com

 **euro ARCHITECTURAL COMPONENTS**
Since 1995 • A Division of Richelieu Hardware Ltd.

TORONTO 127A Aviva Park Drive, Woodbridge, Ontario L4L 9C1 • Tel. 905.265.1093 • Toll Free 800.465.7143
MONTRÉAL 9015 rue Champ d'Eau, Montréal, Québec H1P 3M3 • Tél. 514.325.7977 • Sans Frais 866.574.7979
CALGARY 220-10 Stonehill Place NE, Calgary, Alberta T3N 1T7 • Tel. 905.265.1093 • Toll Free 800.465.7143