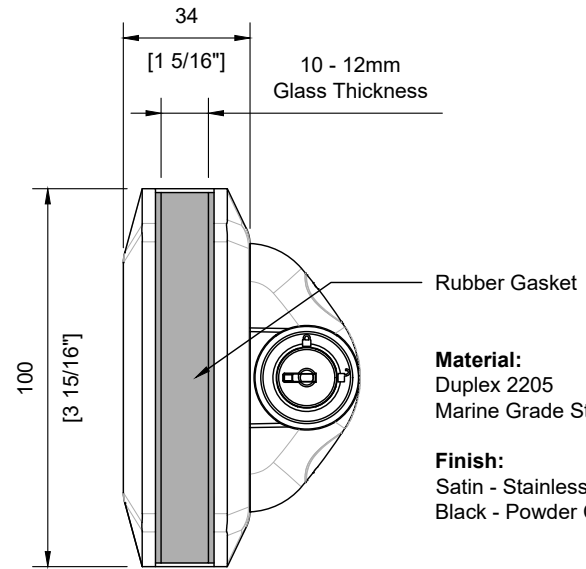
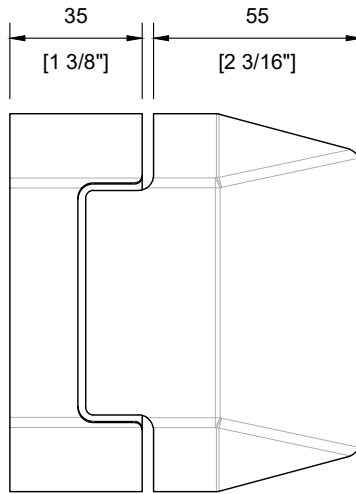
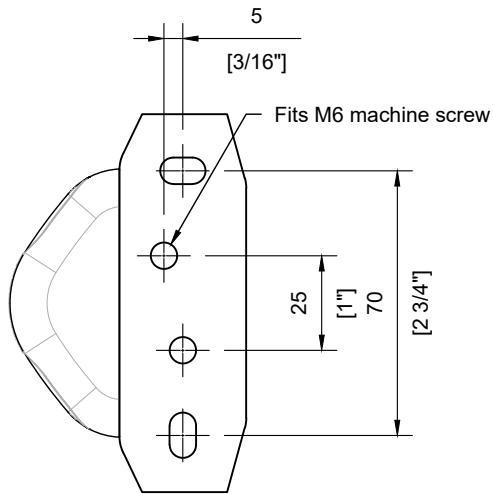
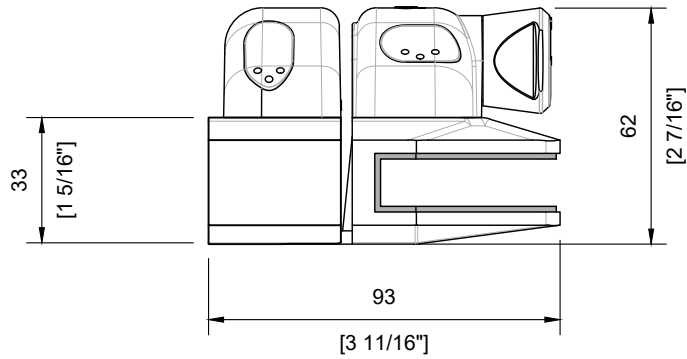


Recommended Gap: 3mm [1/8"]



Material:
Duplex 2205
Marine Grade Stainless Steel

Finish:
Satin - Stainless Steel
Black - Powder Coated

Instructions:

1. Consult with municipal by-law about the required minimum height of the self-locking gate latch.
2. Use the post/wall bracket latch's holes location as a template for hole drilling on post (flow drill or M6 rivet on post is recommended).
3. If installing on wall, use #14 wood screw for wood substrate or 1/4" concrete screw anchor for concrete substrate.
4. Install the friction fit latch to the glass panel by tightening the pre-installed grub screw. (No glass cut-out or holes in the glass needed!)
5. Allow 3mm [1/8"] latch distance or 18mm [23/32"] glass edge distance.
6. Align the holes of the lockable side pull magnetic gate latch to the tapped holes on the friction fit latch and fasten using the included M6 screws.
7. Once the latch is secured, install the included plastic covers of the latch to conceal the screws.

