

ElitePosts

PREFABRICATED STAINLESS STEEL SQUARE POSTS FOR GLASS RAILINGS





Images are for illustration purposes only. Consult with your local building authority

ElitePosts

Our **READY-TO-INSTALL** Elite Posts are **PREFABRICATED** Square Posts for Glass Railing applications. They are engineered and made of durable SS304 or SS316 Grade Stainless Steel with your choice of Satin or Black finishes. Elite Posts are **PRE-DRILLED** and include Glass Clips, welded Base Plate, Base Plate Cover, and welded Tube Supports (where applicable), to fit all areas of your stairway for quick, easy, and convenient installations. They are available in two series, the **H Series** for **Handrail** applications, and the **F Series** for **Frameless** applications.

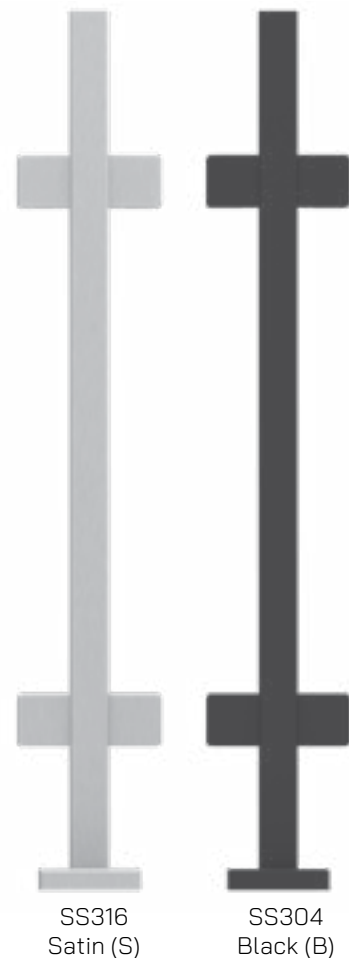


H1 Line
Handrail Interior

H2 Line
Handrail Exterior



F1 Line
Frameless Exterior



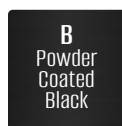
The Handrail **H Series** is comprised of the **H1 Line** for **Interior** applications, and **H2 Line** for **Exterior** applications. This series includes Handrail Attachment Plates and fully welded Tube Supports, along with the Glass Clips and welded Base Plates and snap-fit plate cover. The **H Series** is engineered and designed for today's clean look, and available in Satin (S) or Black (B) finishes. Personalize your stylish and elegant look by completing your railing with your choice of Handrail (Sold Separately).

The Frameless **F Series** is comprised of the **F1 Line** which features flat-top posts for a railing-free sight line. The **F1 Line** is engineered and designed for both **Interior and Exterior** applications, and is available in Satin (S) and Black (B). This line offers a contemporary sleek, minimalist look for an unobstructed view of your surroundings.



Handrail Interior Line





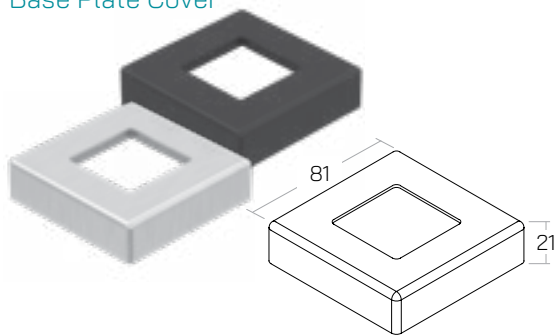
H1 Features

- Engineered for **Interior Residential** applications.
- Square tube size of 40 x 40 x 2mm.
- Material is SS304, in both Satin and Powder Coated Black.
- Provides placement on the front, middle, and back of the tread for **36"** high with installed Railings.
- Fully Welded Tube Support with a Solid Square Stem, with included Flat Handrail Attachment Plate.
- Fully welded 3" solid cast Stainless Steel Base Plates with flat push-fit base plate covers.
- Small Square Glass Clips are secured by included M8 x 20 Stainless Steel Fasteners.
- Flat Handrail Attachment Plate and Base Plate Covers are also included.
- **10mm** Gasket included. Additional Gaskets available.

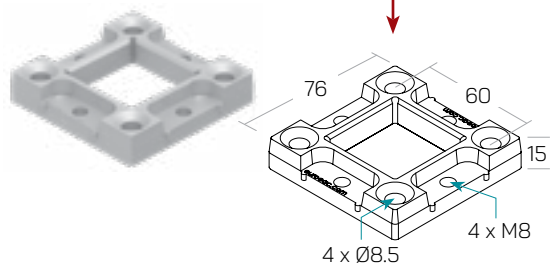
#	PRODUCT CODE	DESCRIPTION
1	SSPE36BPEF	Stair Bottom Post - Front.
2	SSPE36BPEM	Stair Bottom Post - Middle.
3	SSPE36BPEB	Stair Bottom Post - Back.
4	SSPE36STLF	Stair Line Post - Front.
5	SSPE36STLM	Stair Line Post - Middle.
6	SSPE36STLB	Stair Line Post - Back.
7	SSPE36STEF	Stair End Post - Front.
8	SSPE36STEM	Stair End Post - Middle.
9	SSPE36STEB	Stair End Post - Back.
10	SSPE36STBF	Stair Blank Post - Front.
11	SSPE36STBM	Stair Blank Post - Middle.
12	SSPE36STBB	Stair Blank Post - Back.
13	SSPE36LNDE	Landing End / Turn Post 36".
14	SSPE36LNDL	Landing Line Post 36".
15	SSPE36LNDC	Landing Corner Post.
16	SSPE36LNDB	Landing Blank Post.
17	SSPE42LNDE	Landing End Post 42".
18	SSPE42LNDL	Landing Line Post 42".

H1 Components

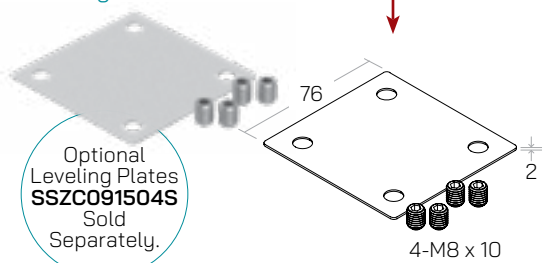
Base Plate Cover



Base Plate



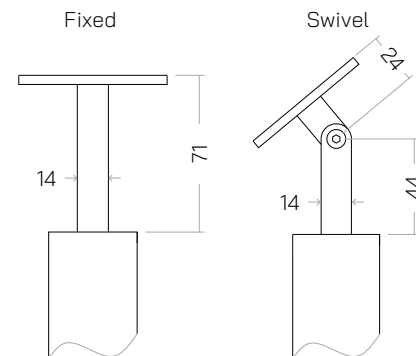
Leveling Plate NOT INCLUDED



Glass Clip

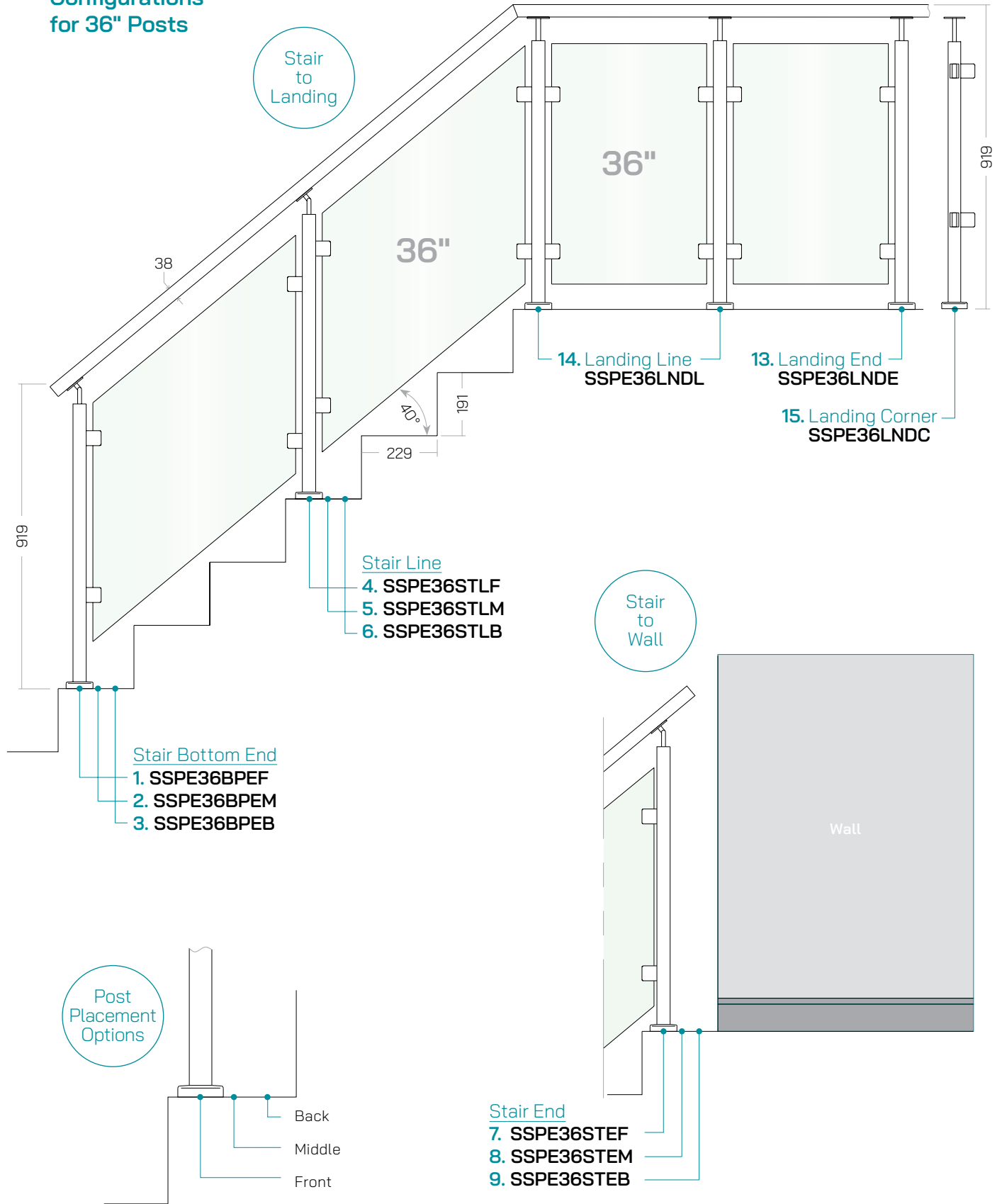


Tube Support

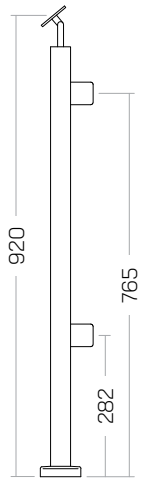




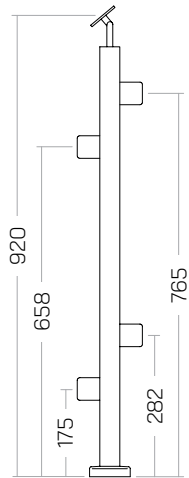
Typical Stair Configurations for 36" Posts



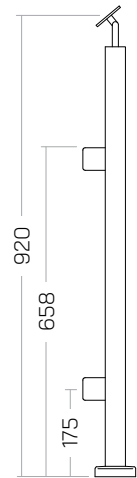
36" Posts for Stairs - Front Application



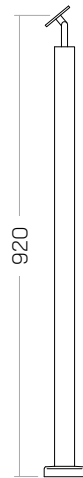
1. Bottom End
SSPE36BPEF



4. Line
SSPE36STLF

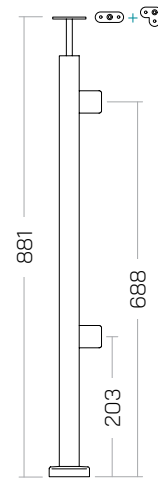


7. Top End
SSPE36STEF



10. Blank
SSPE36STBF

36" Posts for Landing

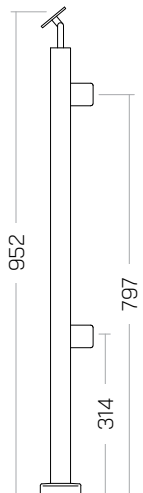


13. Stair End/Landing Turn
SSPE36LNDE

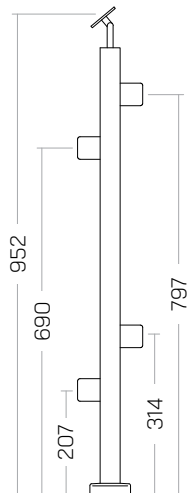


14. Line
SSPE36LN DL

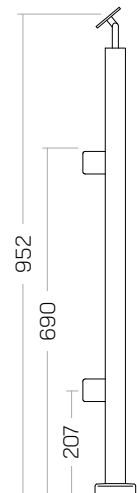
36" Posts for Stairs - Middle Application



2. Bottom End
SSPE36BPEM



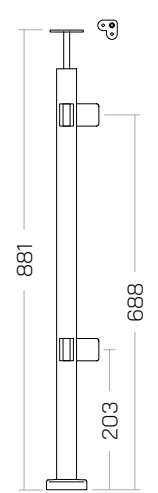
5. Line
SSPE36STLM



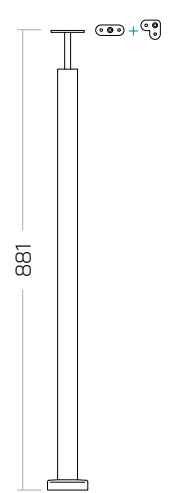
8. Top End
SSPE36STEM



11. Blank
SSPE36STBM

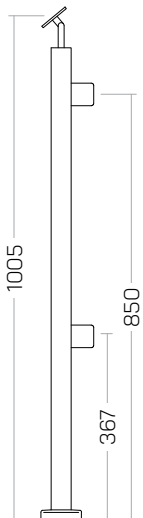


15. Corner
SSPE36LNDC

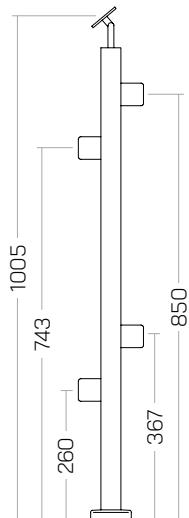


16. Blank
SSPE36LNDB

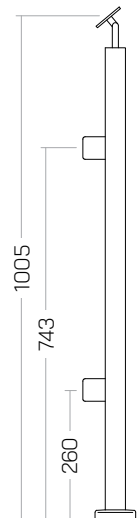
36" Posts for Stairs - Back Application



3. Bottom End
SSPE36BPEB



6. Line
SSPE36STLB

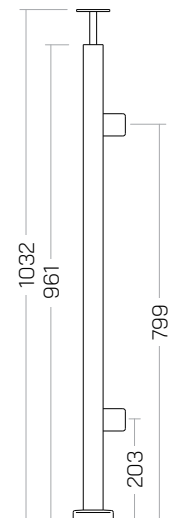


9. Top End
SSPE36STEB

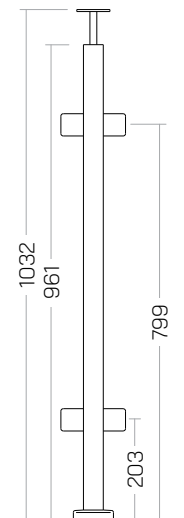


12. Blank
SSPE36STBB

42" Posts for Landing



17. Landing End
SSPE42LNDE



18. Landing Line
SSPE42LN DL



Handrail Exterior Line





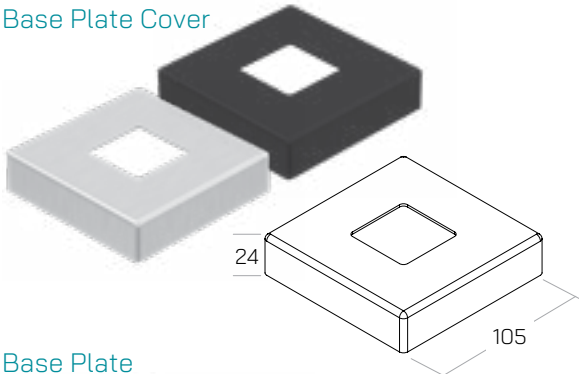
H2 Features

- Engineered for **Interior & Exterior Residential**.
- Square tube size of 40 x 40 x 2mm.
- Material is SS316 for Satin & SS304 for Powder Coated Black.
- Provides 36" high Railings for Stairs and both **36"** and **42"** high option for landing with installed handrail.
- Complies with the updated OBC min. run for a rectangular thread of 255mm, and a min height of **920mm** height for exterior stairs by using min. 1" (25mm) thick Handrail.
- Fully Welded Tube Supports with a solid Square Stem, with included Flat Handrail Attachment Plate.
- Fully welded 4" solid cast Stainless Steel Base Plates with flat push-fit base plate covers.
- Includes Large Square Glass Clips secured by an M8 x 20 Stainless Steel Fastener through flow-drilled and tapped holes to the Posts.
- **10 and 12mm** Gaskets included.

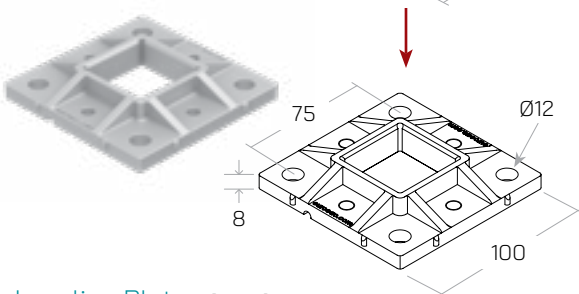
#	PRODUCT CODE	DESCRIPTION
1	SSPEXS36SBE	Stair Bottom End Post 36"
2	SSPEXS36SL	Stair Line Post 36"
3	SSPEXS36LNL	Landing Line Post 36"
4	SSPEXS36LNE	Landing End Post 36"
5	SSPEXS36LNC	Landing Corner Post 36"
6	SSPEXS36T42	Transition Line Post from 36" - 42"
7	SSPEXS36TL	Transition Left Post from 36" - 42"
8	SSPEXS36TR	Transition Right Post from 36" - 42"
9	SSPEXS42LNL	Landing Line Post 42"
10	SSPEXS42LNE	Landing End Post 42"
11	SSPEXS42LNC	Landing Corner Post 42"
12	SSPEXS42BL	Blank Post 42"

H2 Components

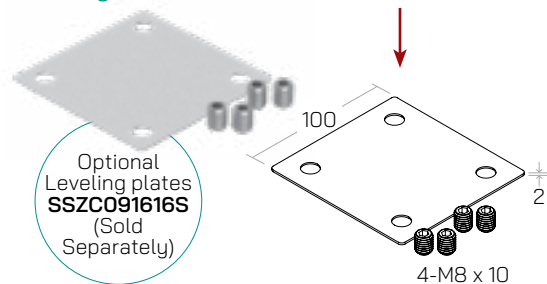
Base Plate Cover



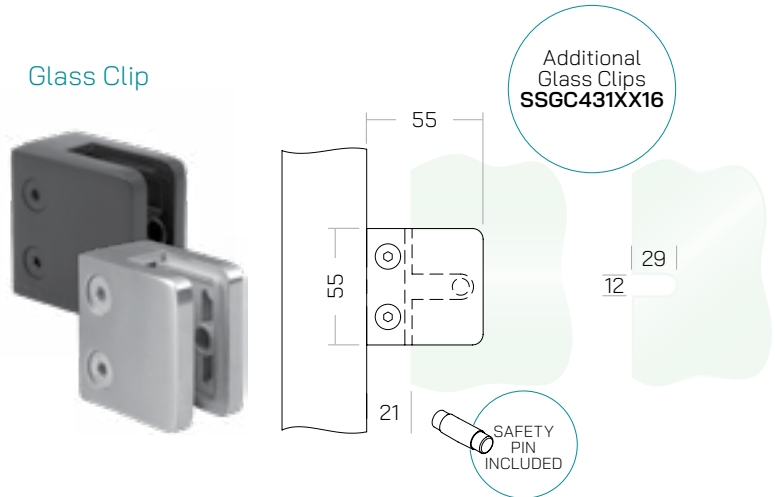
Base Plate



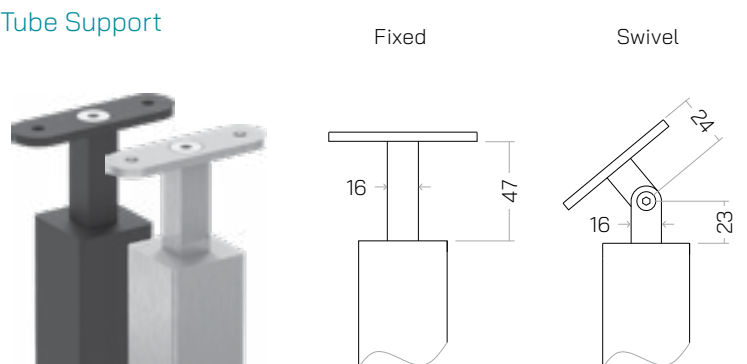
Leveling Plate NOT INCLUDED



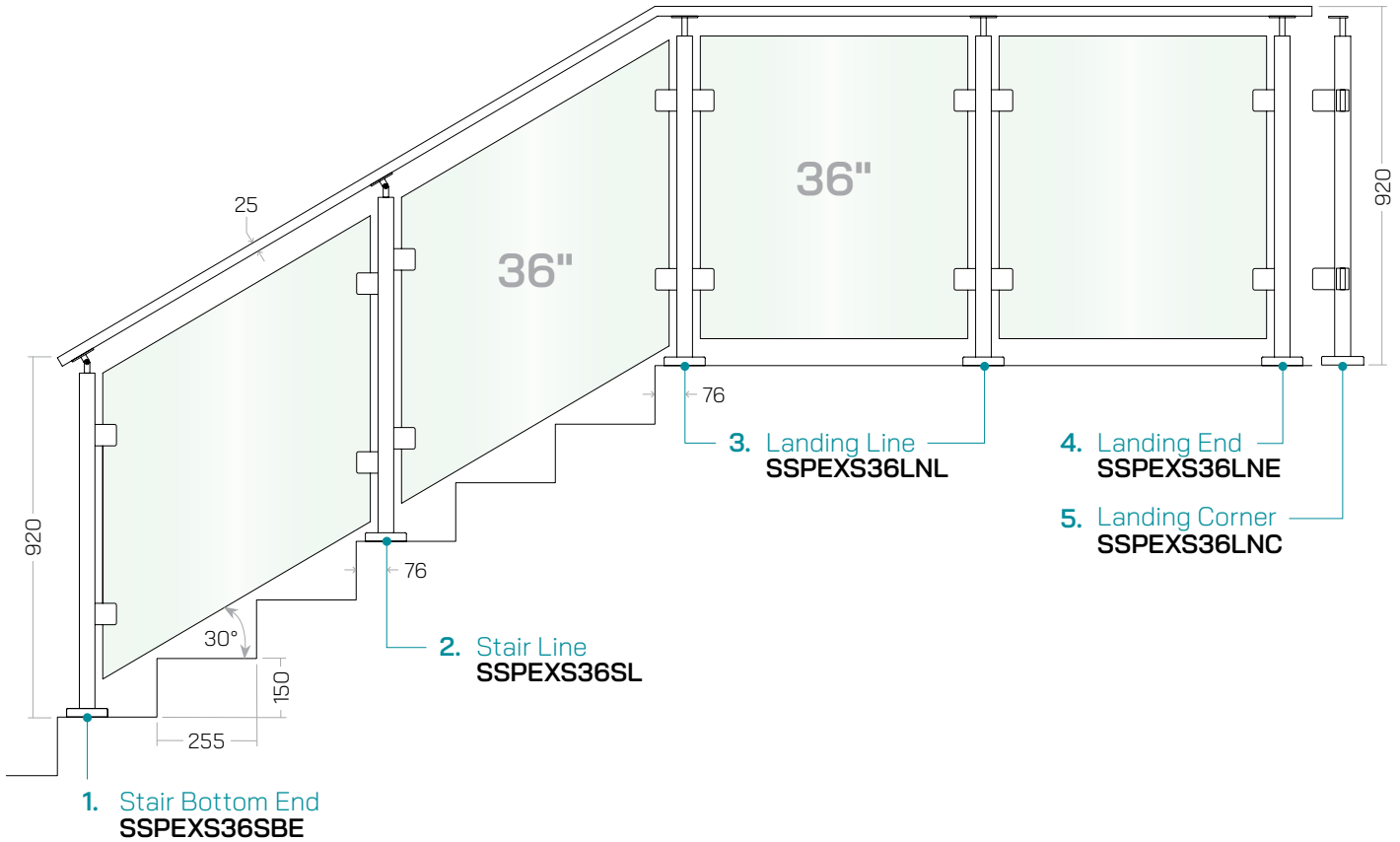
Glass Clip



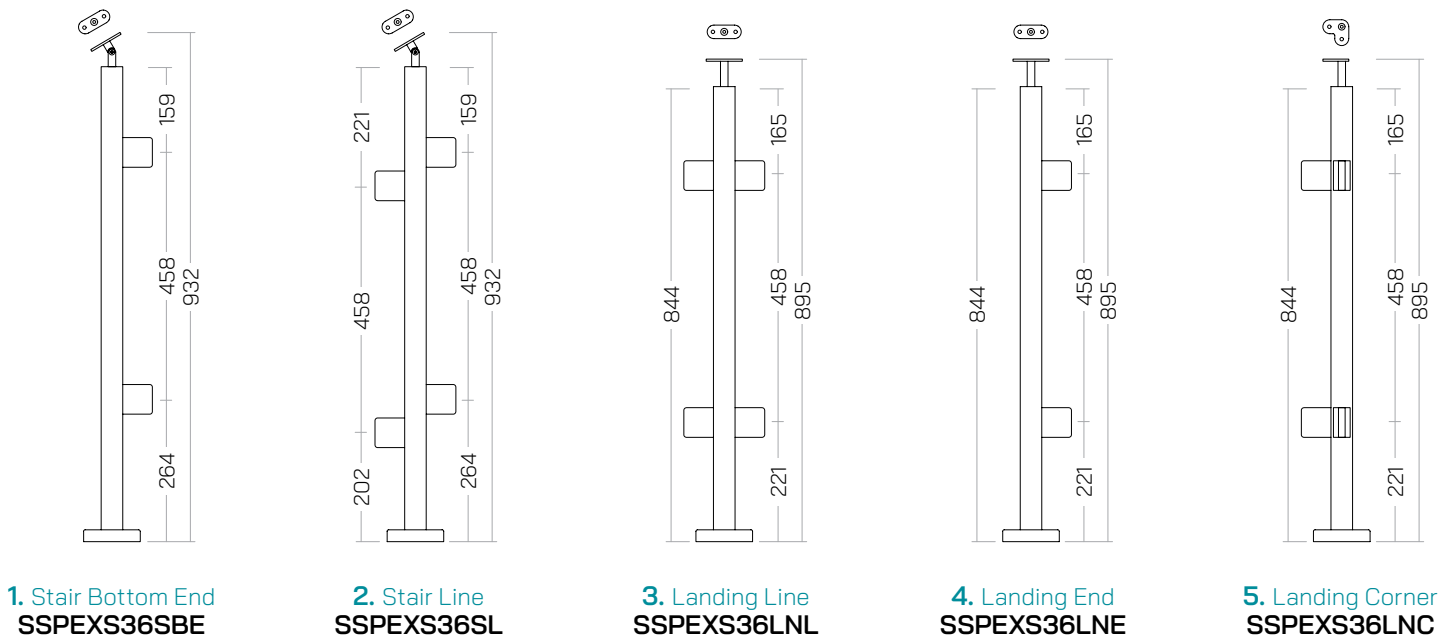
Tube Support



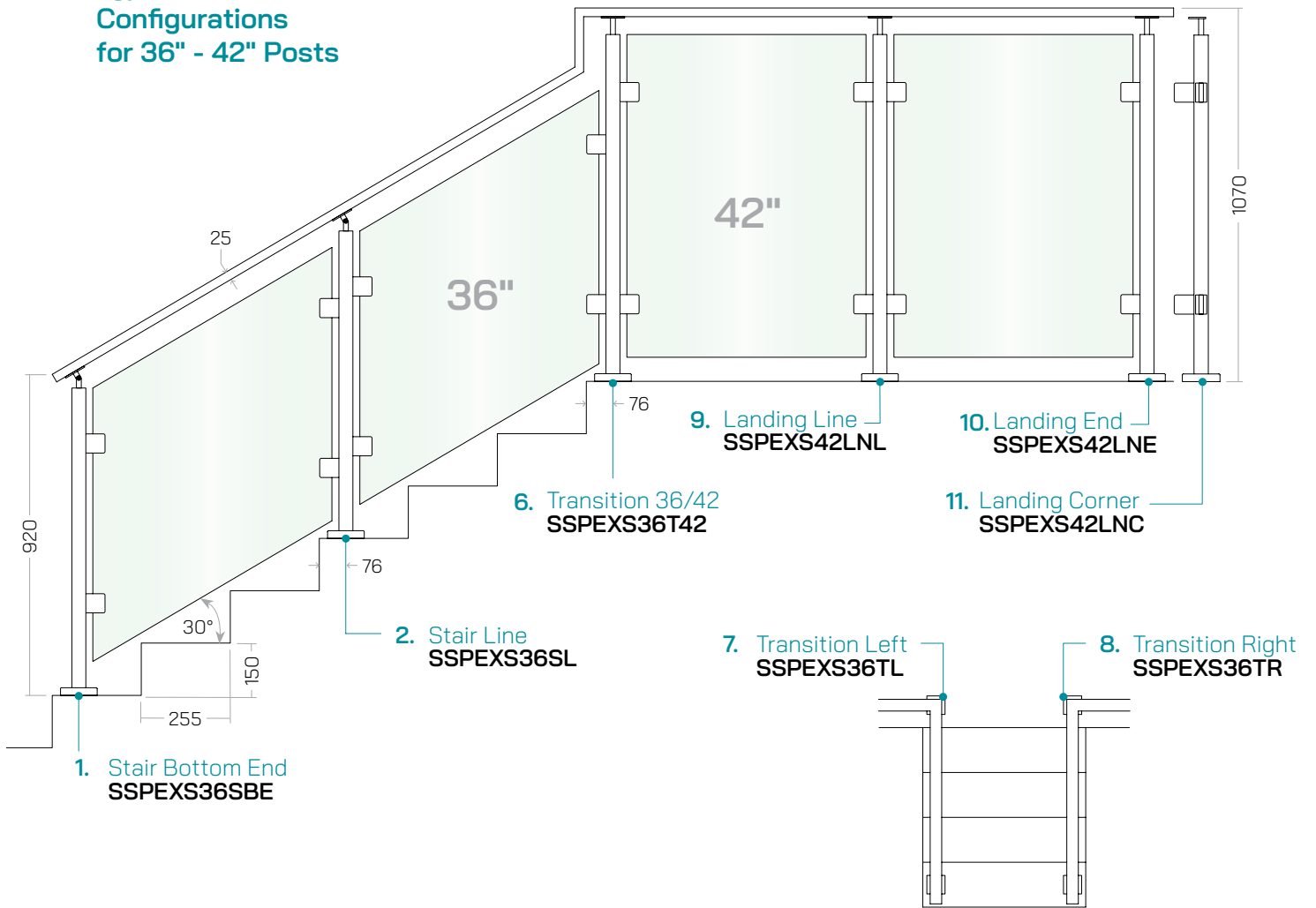
Typical Stair Configurations for 36" Posts



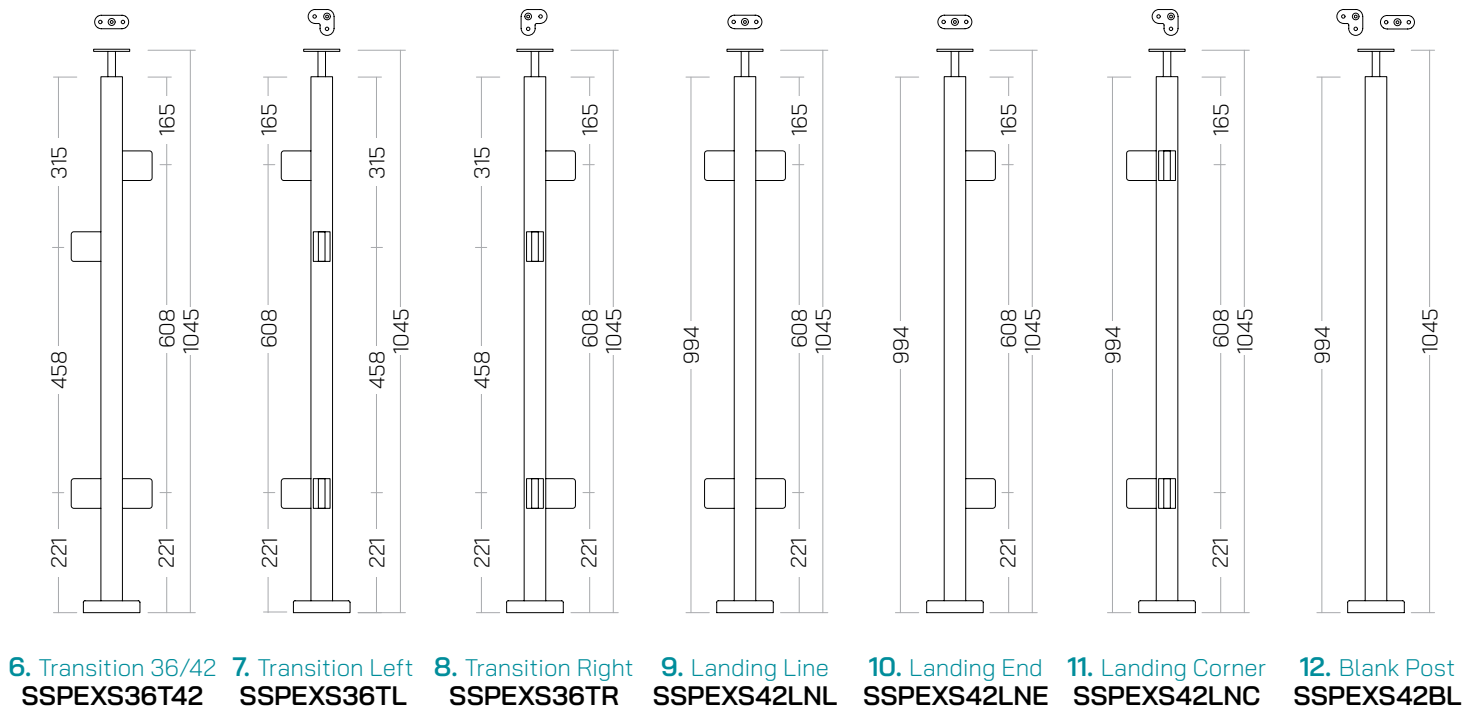
36" Posts



Typical Stair Configurations for 36" - 42" Posts



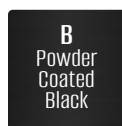
42" Posts





Frameless Exterior Line





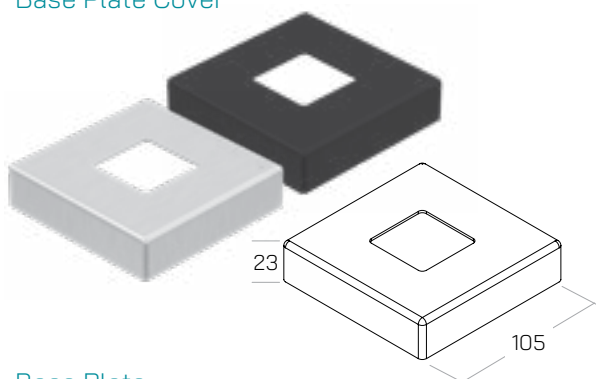
F1 Features

- Engineered for **Interior and Exterior Residential or Commercial** applications.
- Square tube size of 40 x 40 x 2mm.
- Material is SS316 for Satin and SS304 for Black Powder Coated.
- Provides **36"** high Railings for Stair and Landing and **42"** high option for Landings.
- Fully welded End Caps provide an open and frameless look for unobstructed view.
- Fully welded **4"** solid cast Stainless Steel Base Plates with flat push-fit base plate covers.
- Large Square Glass Clips secured by M8 x 20 Stainless Steel Fasteners through flow-drilled and tapped holes to the posts included.
- Suitable for **10-12mm** Glass.

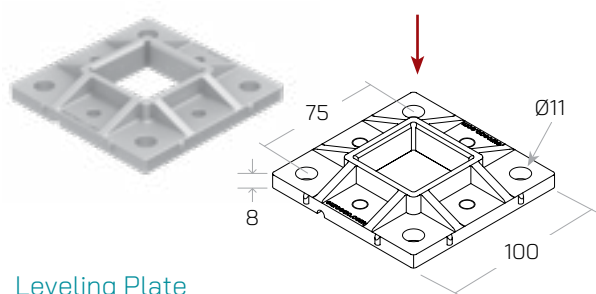
#	PRODUCT CODE	DESCRIPTION
1	SSPEFT36SBE	Stair Bottom End Post 36"
2	SSPEFT36SL	Stair Line Post 36"
3	SSPEFT36LNL	Landing Line Post 36"
4	SSPEFT36LNE	Landing End Post 36"
5	SSPEFT36LNC	Landing Corner Post 36"
6	SSPEFT36T42	Transition Line Post From 36" To 42"
7	SSPEFT36TL	Transition Left Post From 36" To 42"
8	SSPEFT36TR	Transition Right Post From 36" To 42"
9	SSPEFT42LNL	Landing Line Post 42"
10	SSPEFT42LNE	Landing End Post 42"
11	SSPEFT42LNC	Landing Corner Post 42"
12	SSPEFT42BL	Blank Post 42"

F1 Components

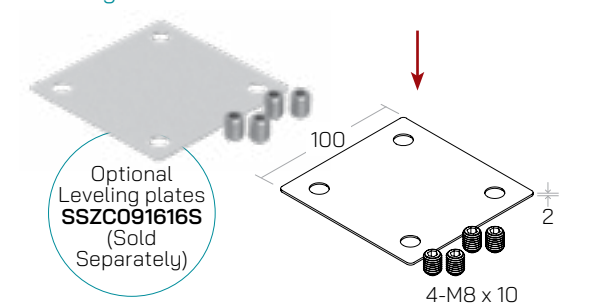
Base Plate Cover



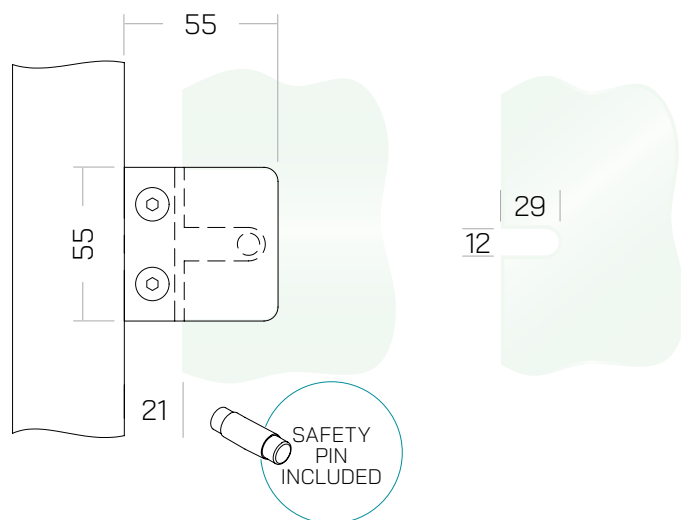
Base Plate



Leveling Plate

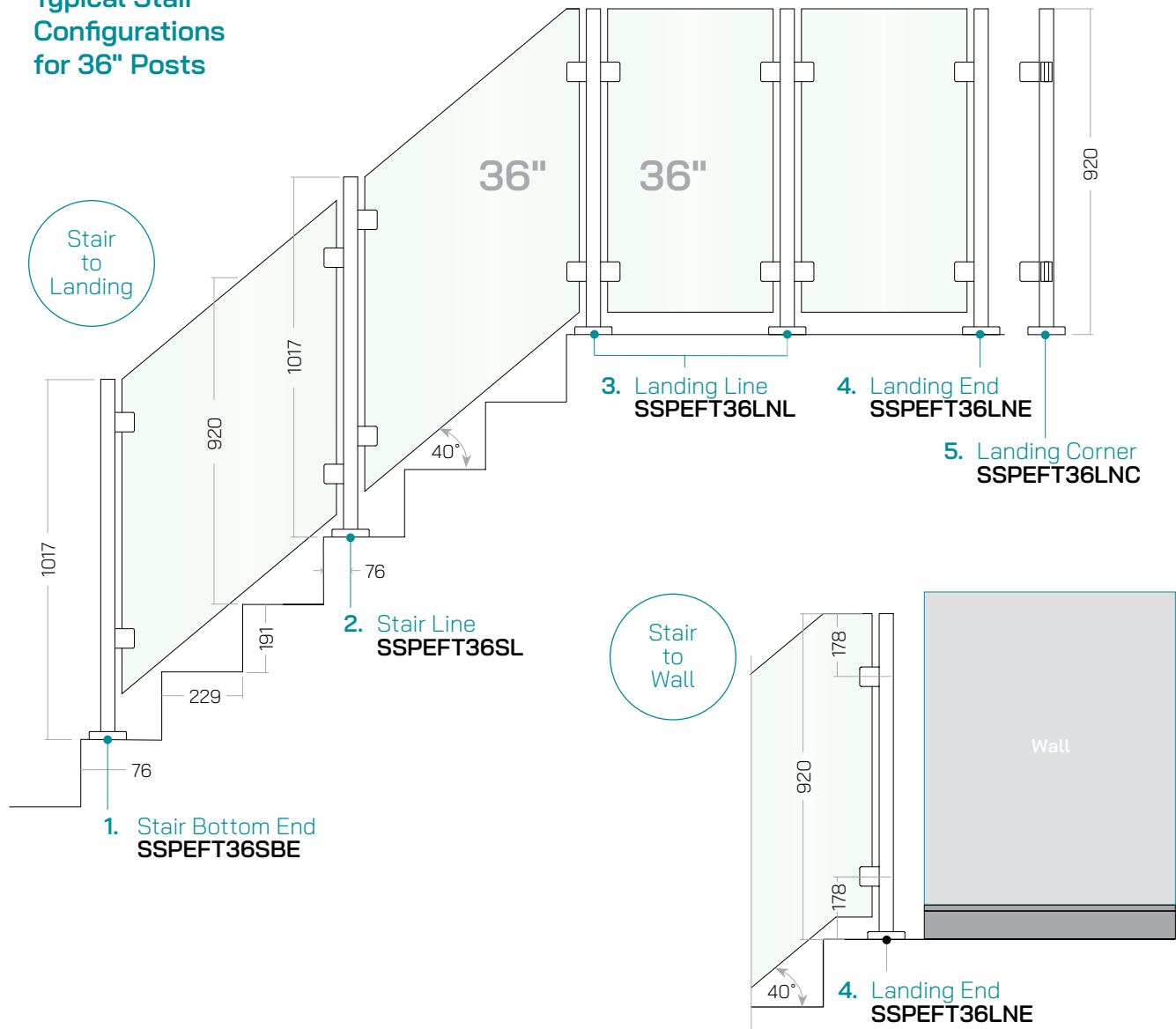


Glass Clip

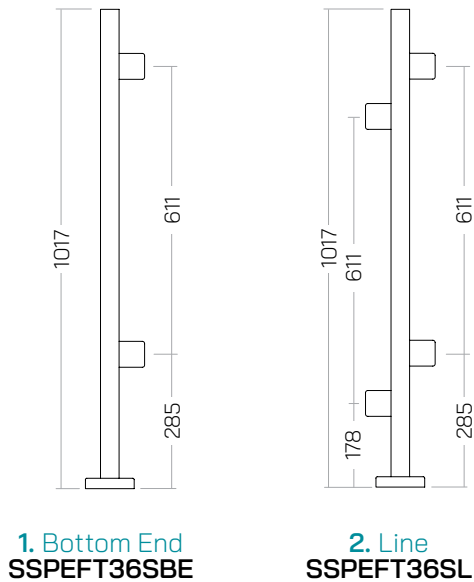


F1 Frameless Exterior Line

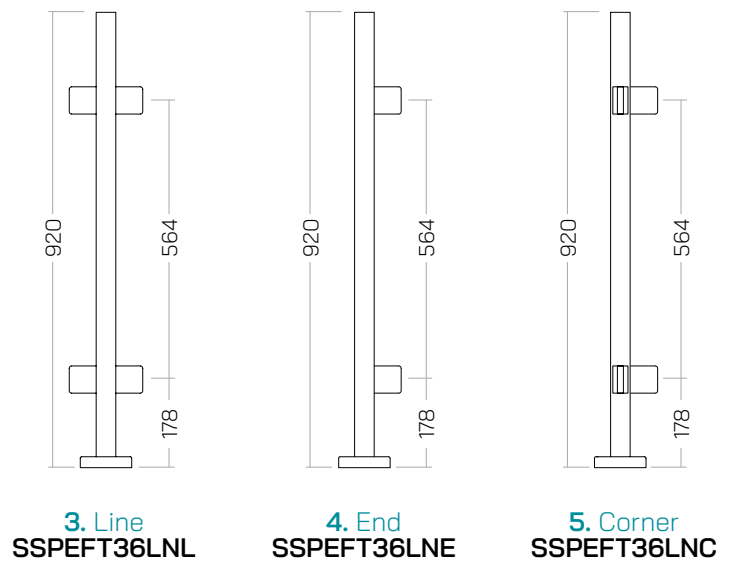
Typical Stair Configurations for 36" Posts



36" Posts for Stairs

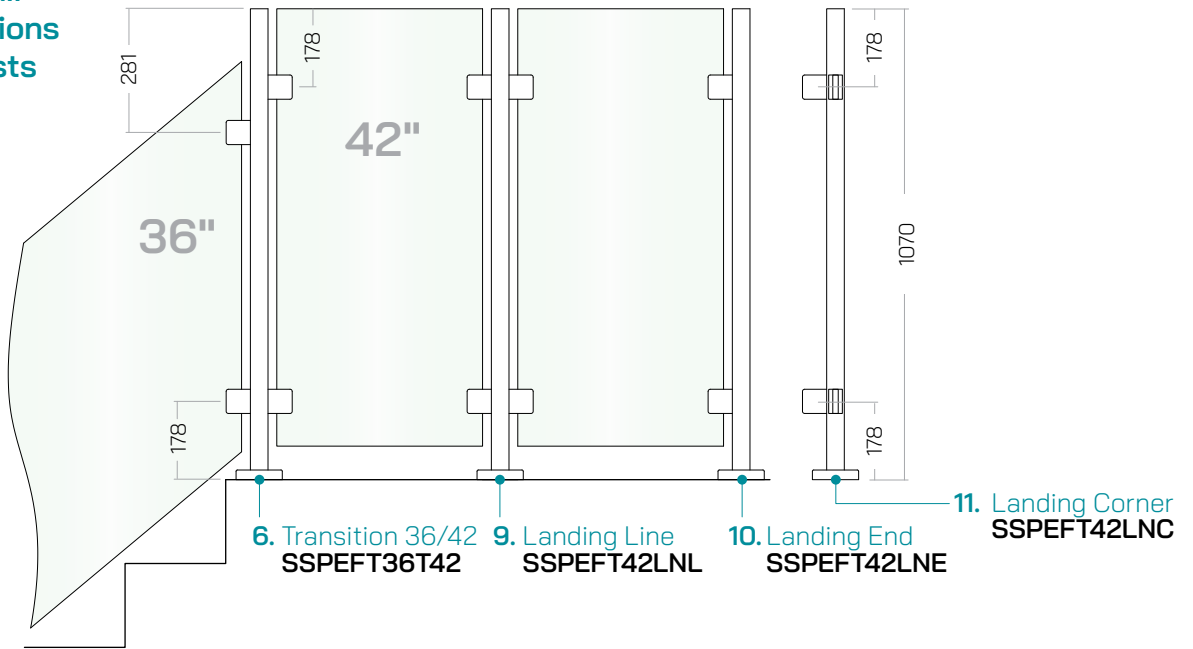


36" Posts for Landing



Typical Stair Configurations for 42" Posts

Transition and Landing



OPTIONAL

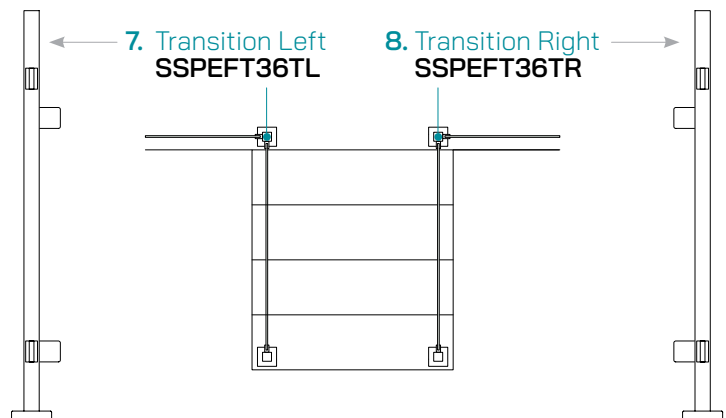
Off-the-Post Brackets sold separately.



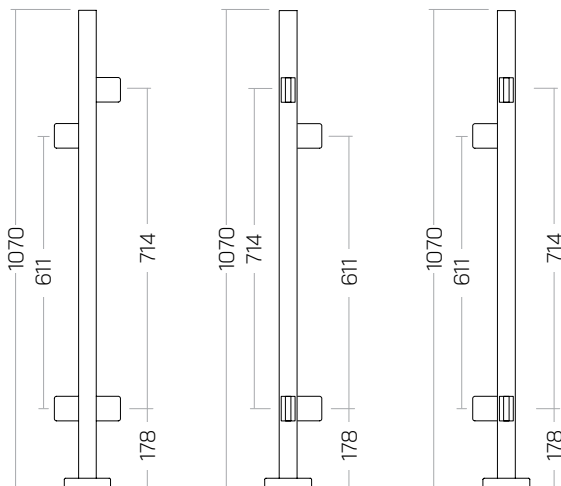
SSWF20016



SSZH40116S

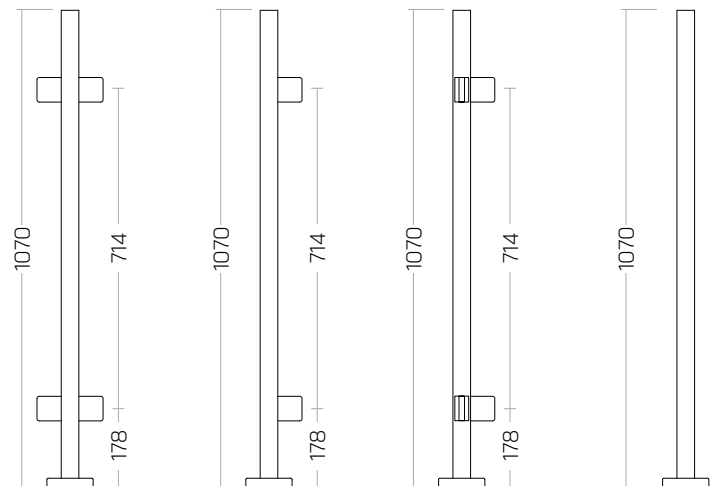


36" - 42" Transition Posts



6. Line End SSPEFT36T42
7. Transition Left SSPEFT36TL
8. Transition Right SSPEFT36TR

42" Posts for Landing



9. Landing Line SSPEFT42LNL
10. Landing End SSPEFT42LNE
11. Landing Corner SSPEFT42LNC
12. Blank Post SSPEFT42BL

ElitePosts

PREFABRICATED STAINLESS STEEL SQUARE POSTS FOR GLASS RAILINGS

DISCLAIMER

Euro Architectural Components carefully reviewed to ensure that the content in this catalogue was accurate at the time of print. We are not responsible for misinformation due to human error. Images or colours may not be exact due to rendering, photographic, or printing procedures. Consult your local authorities to ensure your design complies with all building code requirements. For our complete terms & conditions scan here, or copy the following link: <https://euroeac.com/terms-conditions/>.

