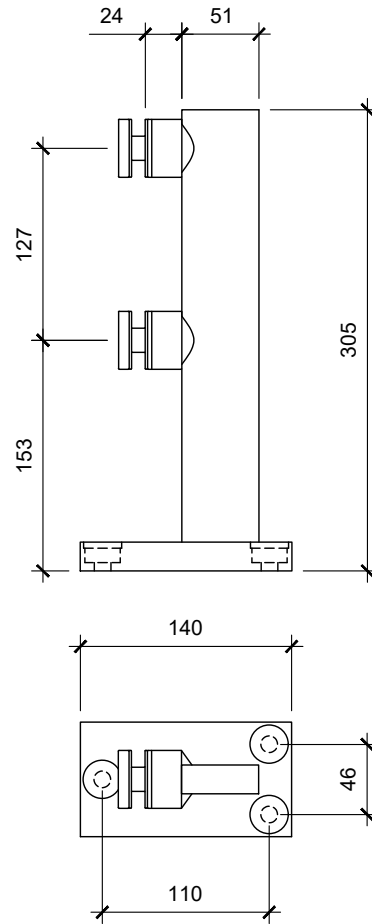
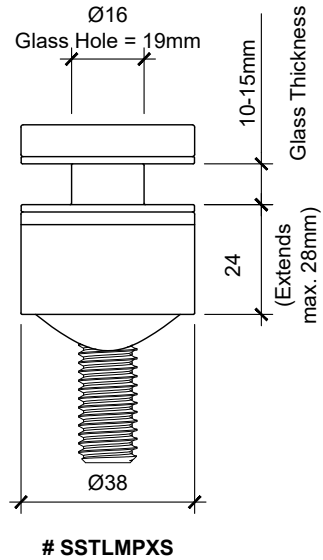


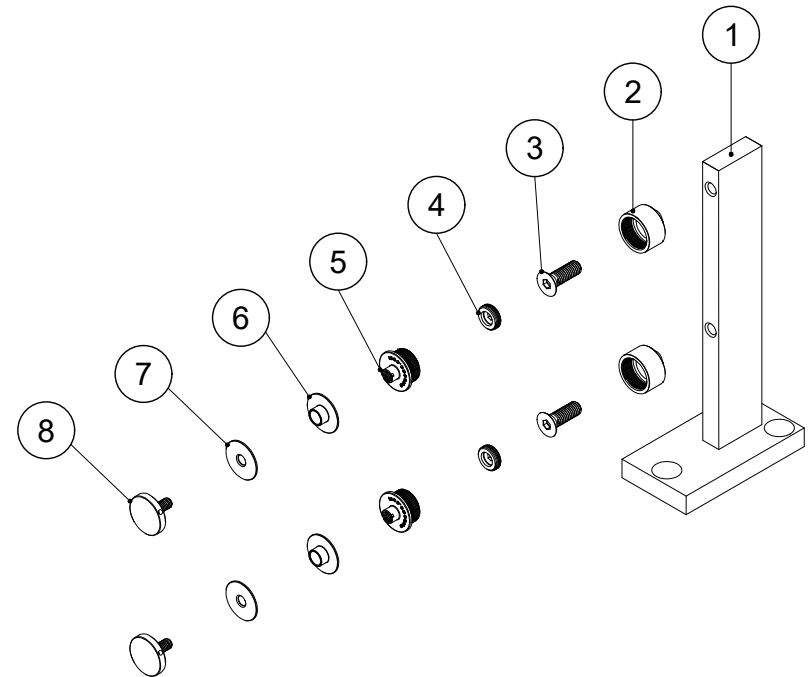
What's in the box?

- 1 pc. Top Mount Mini Post
- 2 pcs. Tilt-Lock Mini post Adjustable Round Standoff with Screw



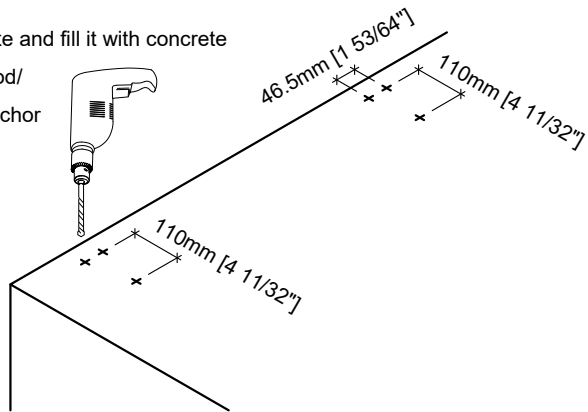
How to install the Standoffs?

1. Position the post vertically for the standoff installation and locate the side with 2 blind holes.
2. Place and align the standoff retainer into the post's blind hole .
3. Use the included fastener to secure the retainer into the post.
4. Screw-in the standoff lock into the retainer.
5. Install the stand-off telescope into the retainer.
6. Insert the first plastic gasket into the lip of the telescope.
7. Insert the second plastic gasket into the lip of the standoff cap (8).
8. Secure the standoff cap into the telescope once the glass panel is set in place.



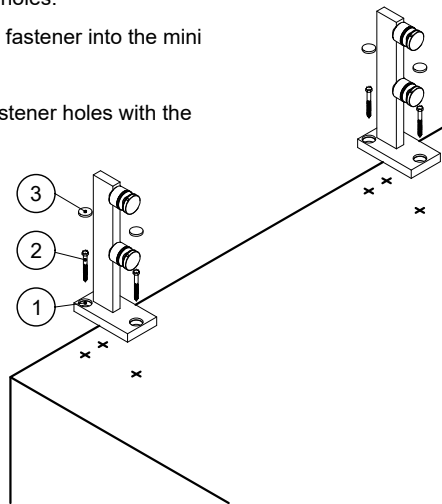
- A. Layout and mark the hole positions according to the allowable spacing.
- B. For Wood:
Provide adequate blocking for wood and drill a pilot hole for the lag bolt.
- For Concrete:

Drill a hole in the concrete and fill it with concrete epoxy. Insert threaded rod/wedge anchor/sleeve anchor with appropriate length.

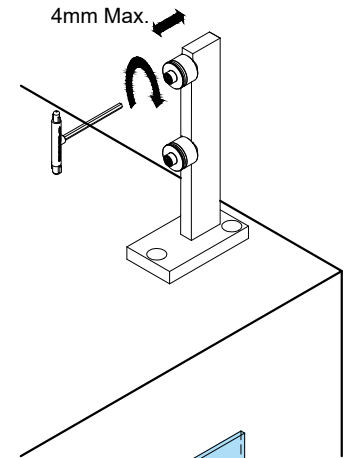


- C. Follow the sequence below for the installation of the top mount mini post:

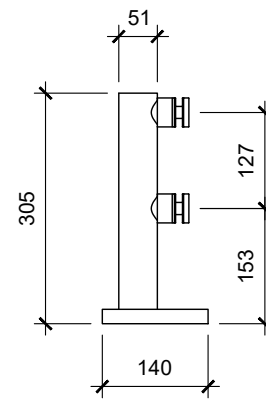
1. Position the top mount mini post and align the holes into the pre-drilled holes.
2. Screw-in the appropriate fastener into the mini post.
3. Finish by covering the fastener holes with the included cover.



- D. Ensure that the standoffs are leveled and straight prior to installing glass panels. If not straight, standoffs can be adjusted horizontally by a maximum of 4mm [5/32\"].
- E. Lock the standoffs once the level is verified using Euro standoff tool or 6mm Allen key by turning clockwise.



- F. Position the glass panel with Ø19mm predrilled holes into the standoff along with the included gasket.
- G. Install the standoff cap to finish the job and tighten it by using 1 1/2\" Euro standoff cap spanner.



SSTLMP

