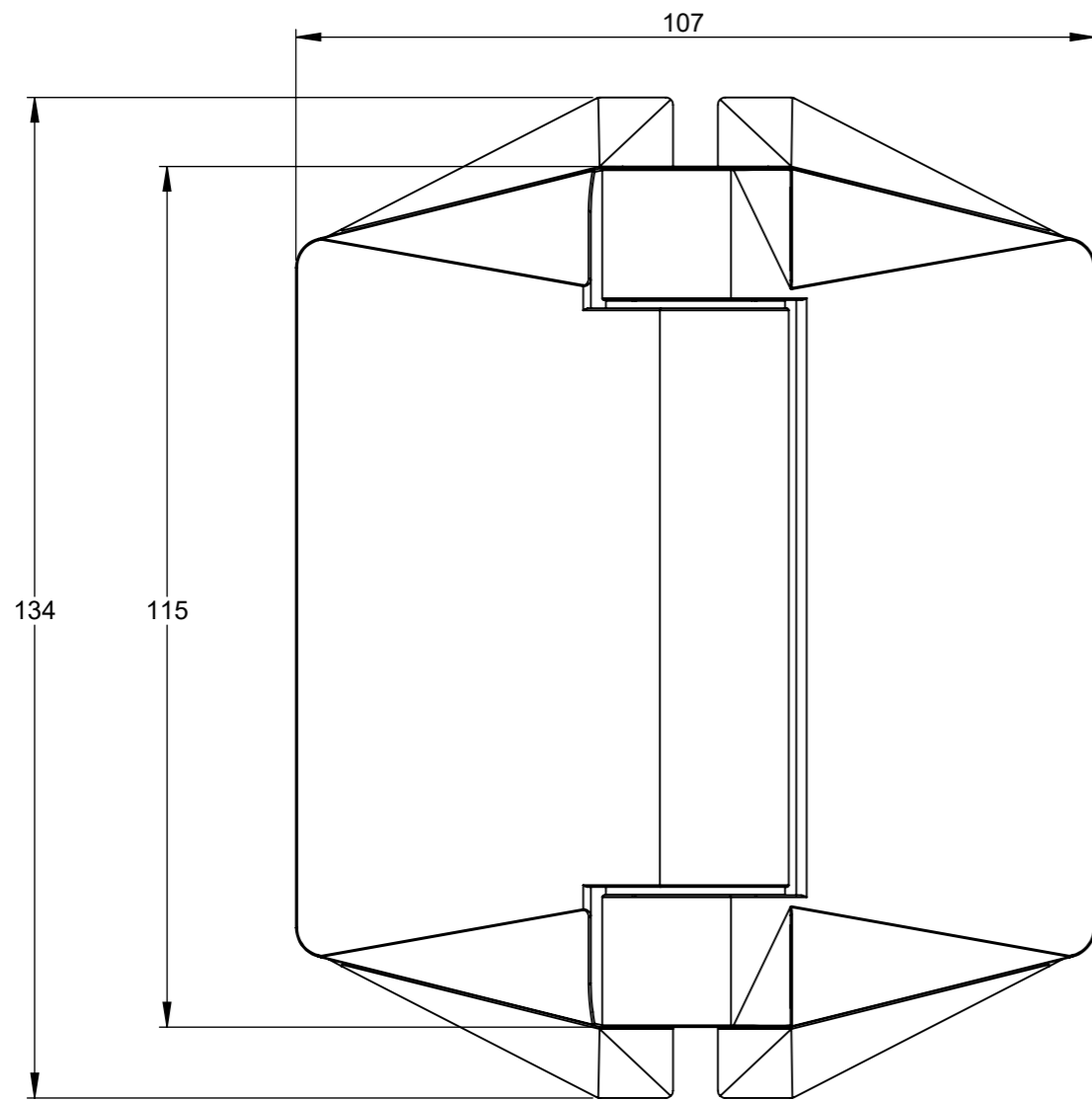
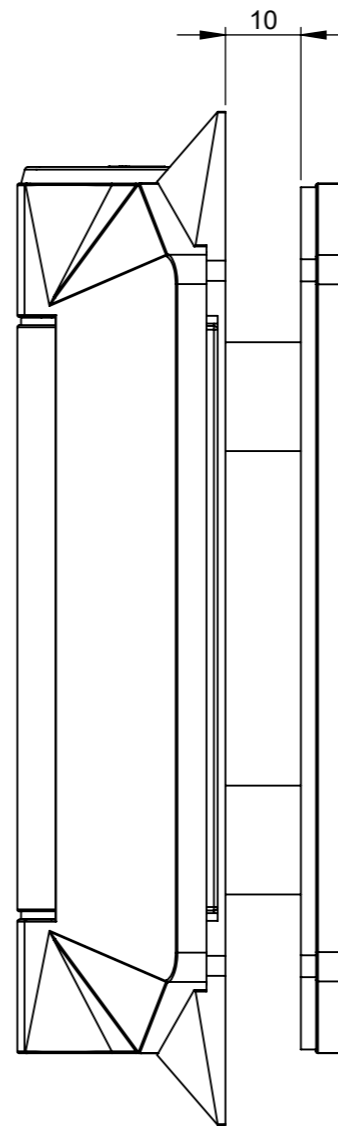


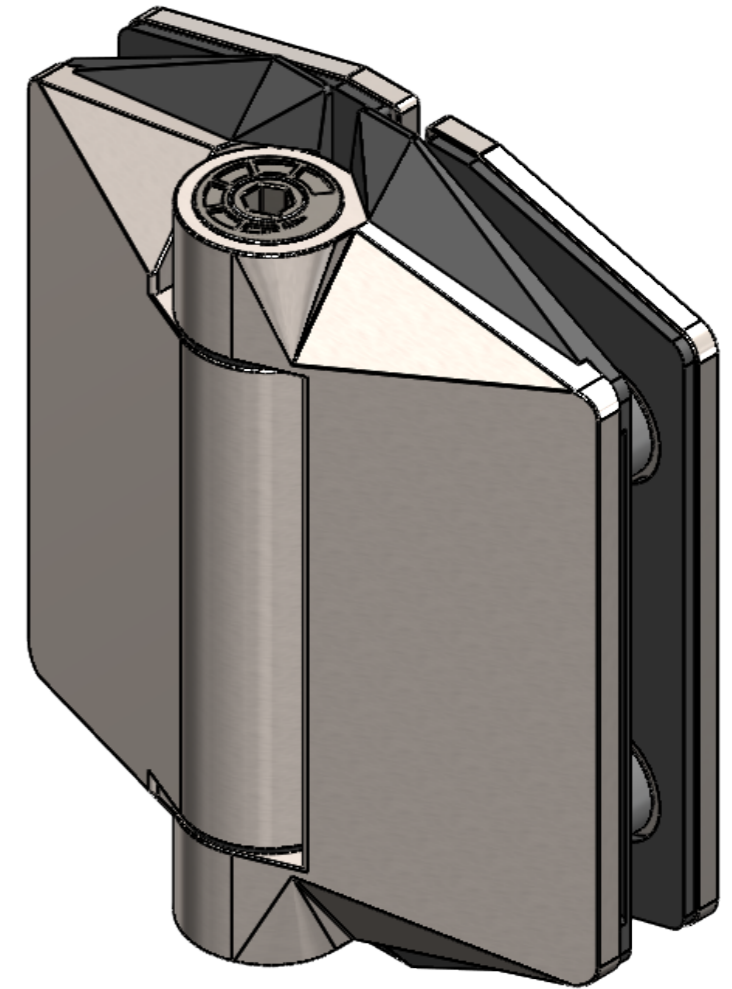
TOP VIEW



FRONT VIEW



SIDE VIEW



ISOMETRIC VIEW