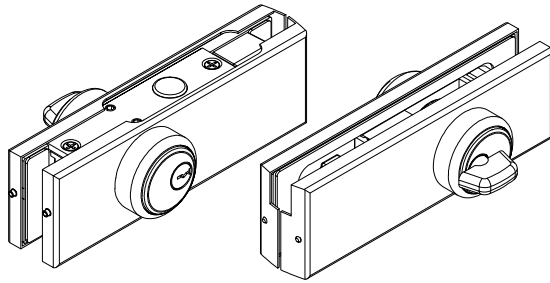


INSTALLATION INSTRUCTIONS

SSGWPF7 - Bottom Mount Patch Lock with Strike Plate

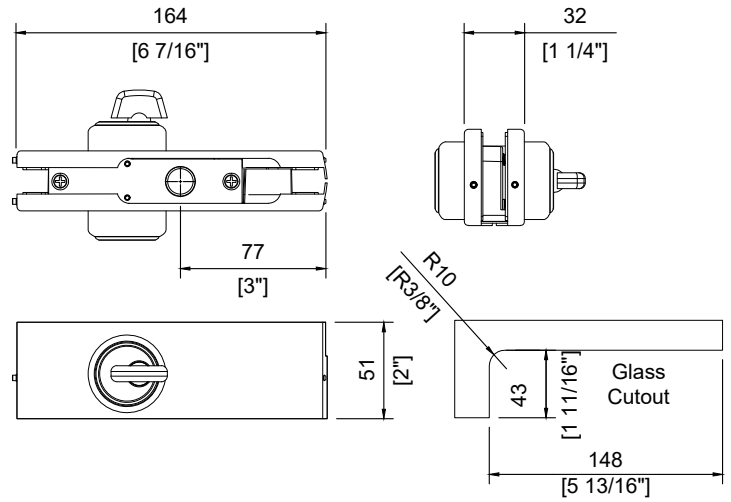
ORTHOGRAPHIC PROJECTION



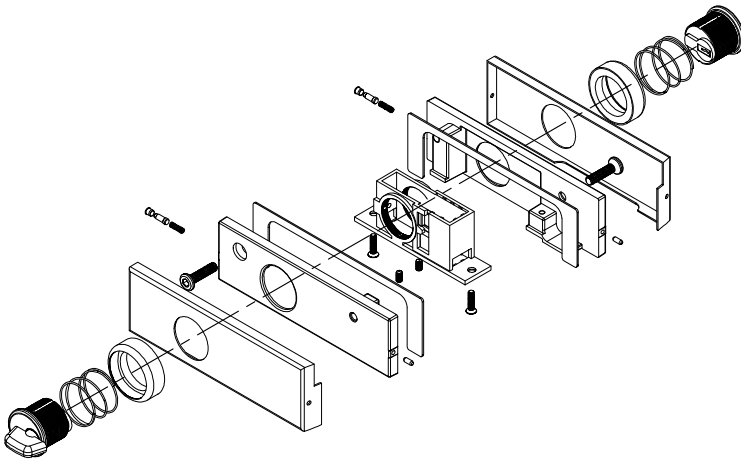
KEY SIDE VIEW

KNOB SIDE VIEW

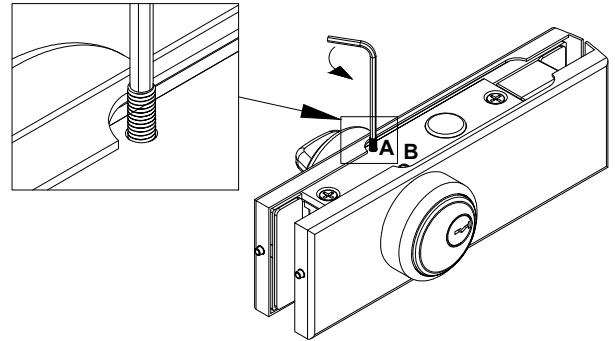
DIMENSIONS



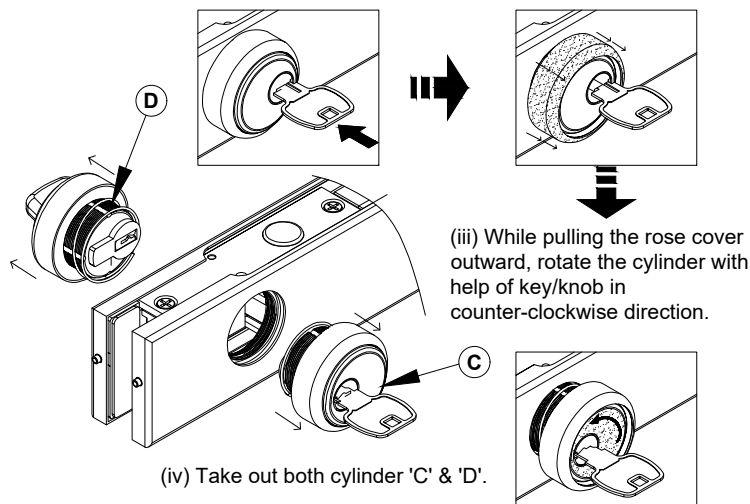
EXPLODED VIEW



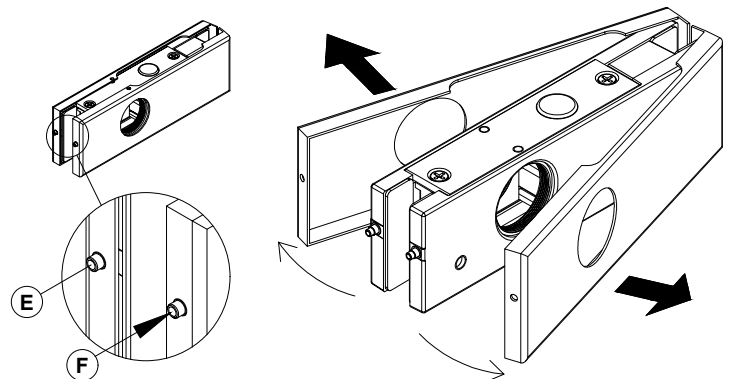
STEP 1: Loosen grub screws 'A' & 'B' with Allen key.



STEP 2: (i) Insert key into cylinder (ii) Pull the rose cover outward



STEP 3: (i) Press spring pins 'E' & 'F'. (ii) Remove the cover in shown directions.



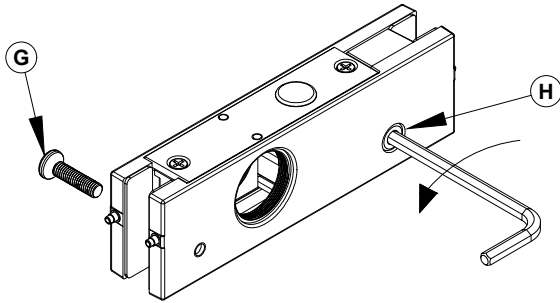
INSTALLATION INSTRUCTIONS

SSGWPF7 - Bottom Mount Patch Lock with Strike Plate

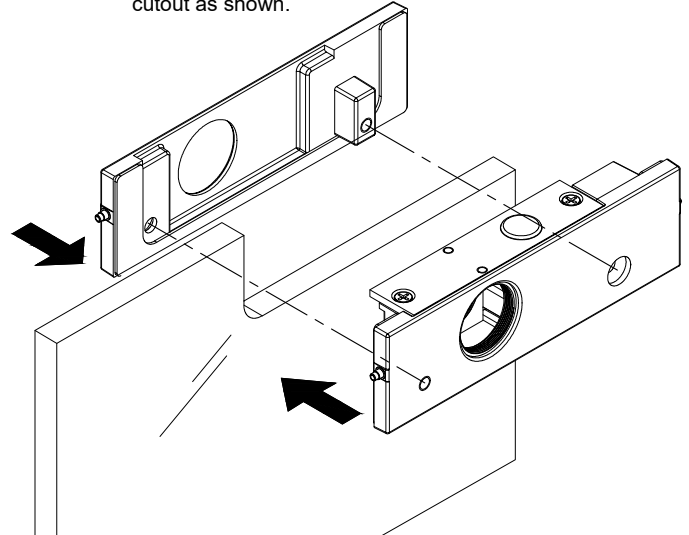


127A Aviva Park Dr., Woodbridge, ON, CANADA
www.euroeac.com Toll Free: 1-800-465-7143

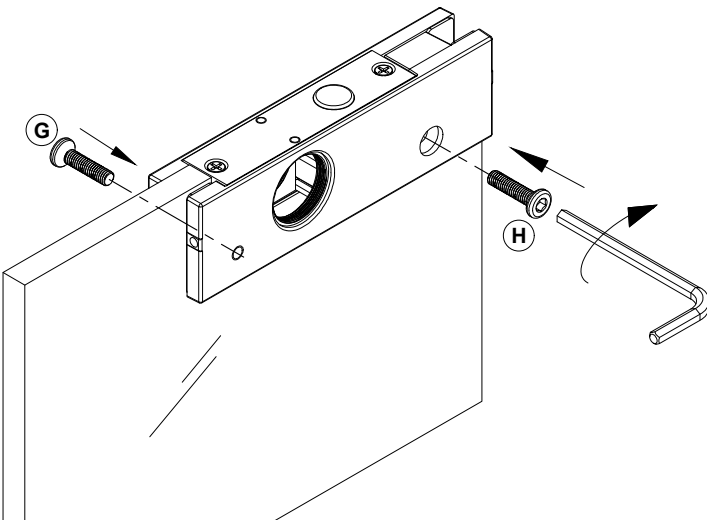
STEP 4: Take out screws 'G' & 'H' with Allen key.



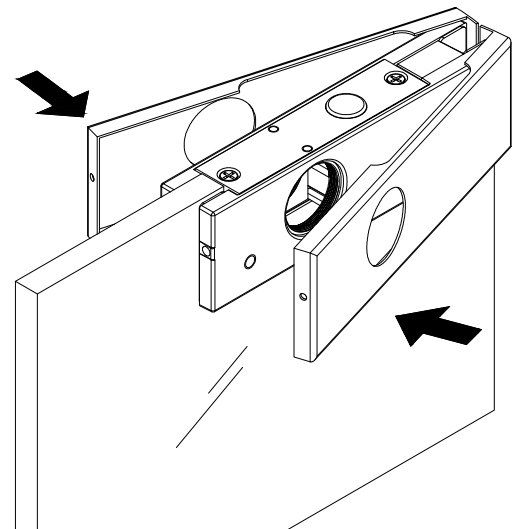
STEP 5: Clamp both parts of lock with provided seal/gasket into glass cutout as shown.



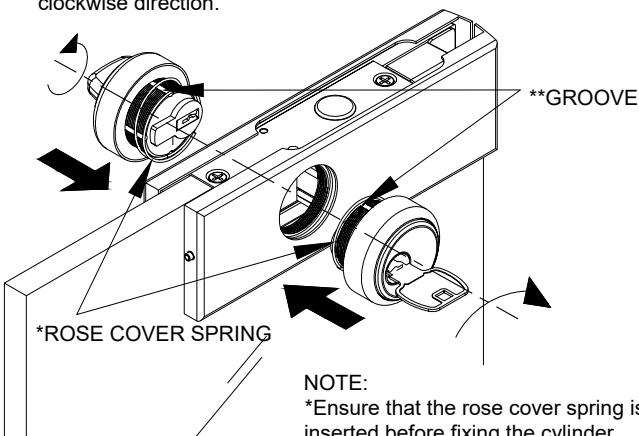
STEP 6: Tighten screws 'G' & 'H' with Allen key.



STEP 7: Fit cover plate by locking the static pin first, then the spring pin.



STEP 8: Fix the cylinder with the help of key/knob by rotating it in clockwise direction.



NOTE:
*Ensure that the rose cover spring is inserted before fixing the cylinder.
**The groove should be in upward position as shown so that the grub screws will have engagement.

STEP 9: Screw back in the two grub screws with Allen key.

