

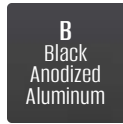
# TYLT-LOCK™

Tilt Adjustable Glass Railing Technology

Ready-to-Install  
Easily Adjustable  
From Residential to Commercial



## TILT-LOCK™ BASE SHOES



Our **Ready-to-Install TILT-LOCK™** Adjustable Base Shoes are available in 5 models: **M2, M3, M4, M5, and M6**, accommodating Glass sizes from **12-26.52mm**.

Our Base Shoes are available as **TOP MOUNT**, which can be **RECESSED** and finished with optional Top Cover Cladding. **SIDE MOUNT** options are available with our **M3** and **M6Y** models only. Kits come Non-Cladded or with your choice of Cladding: Satin Anodized Aluminum, Black Anodized Aluminum, or 316 Grade Satin Stainless Steel.



Our patented technology allows a **2°** front and back tilt of the Glass within the Shoe, giving you faster and easier installation with exact alignment every time. This is all achievable from one side, making your projects more efficient.

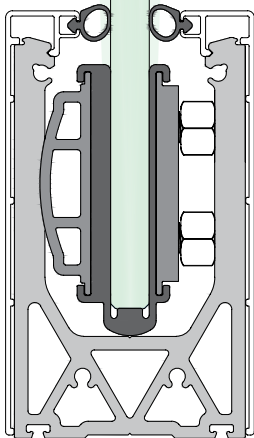
**TILT-LOCK™** Adjustable Base Shoes are **Ready-to-Install** with pre-drilled holes and fully concealed components, offering a clean, finished, and perfectly aligned look. Additional accessories are available.

### Features

- Engineered for the National Building Code of Canada. Refer to back inside cover for glass guard design information.



Patented in Canada, the U.S., the U.K., Europe, Australia, New Zealand, and China.



### Curved Base Shoe

Base Shoes could be formed to support curved Glass Panels.

**SPECIAL ORDER ONLY.**  
Please inquire.



# M2

BASE SHOE



PHOTO: Fort Rouge Glass Ltd.

# TILT-LOCK™

Tilt Adjustable Glass Railing Technology

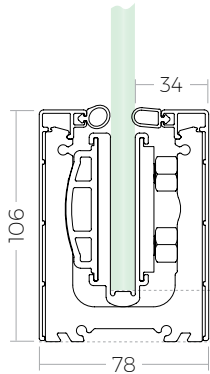
**NEW**

## M2 BASE SHOE

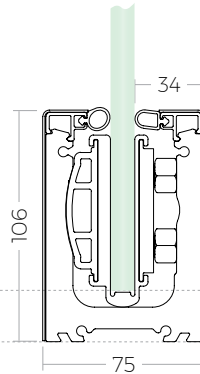
Residential  
Interior / Exterior



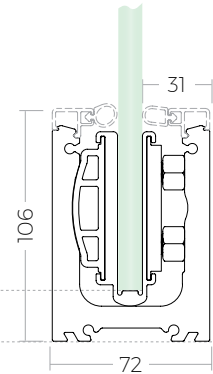
Top Mount  
Aluminum Cladding



Top Mount  
Stainless Steel Cladding



Recessed or  
No Cladding



Glass sits  
23mm  
above ground

23

### Kit Includes

PART #	Shoe Length	Full Cover Cladding	Glass Grips	End Caps	Joining Pins	Glass Gap
<b>Top Mount Cladded Kits</b>						
SSSM2SHOE10A	10'	2 x 10'	10	2	4	1 x 4"
SSSM2SHOE10B	10'	2 x 10'	10	2	4	1 x 4"
SSSM2SHOE10S	10'	2 x 10'	10	2	4	1 x 4"
<b>Top Mount Non-Cladded Kit</b>						
SSSM2SHOE10	10'	N/A	10	2	4	1 x 4"

Use 1/2" or M12 Fasteners. Refer to pages 198-200.



### Cladding

#### Top Cover Cladding

Sold as a pair with Gaskets for **12-12.76mm** Glass thickness.

- SSSM3TCC10A** 10' Clear Anodized Aluminum.
- SSSM3TCC10B** 10' Black Anodized Aluminum.

#### Top Mount Cladding 10' Lengths

Sold individually with installed Gasket for **12-12.76mm** Glass included.

- SSSM2CLADA** Satin Anodized Aluminum.
- SSSM2CLADB** Black Anodized Aluminum.
- SSSM2CLADS** Satin Stainless Steel SS316.



#### Cladding Tape

Can be used when installing Cladding.

- SSSMCLADTAPE** Double-sided, 108' length.



#### 90° Base Shoe Corners

90° Aluminum extruded 6" mitered corners with 2 Holes, 2 Washers, and 4 Joining Pins.

- SSSM2CCSHOEI** Inside.
- SSSM2CCSHOEO** Outside.

#### 90° Corner Cut Cladding Kits

90° Mitered Corner Cladding Kits match Top Mount Base Shoe. Each Kit consists of 2 outside and 2 inside pieces to complete the corner. 12" in length.

**Includes:** Cladding And Gaskets.

- SSSM2CCKITA** Satin Anodized Aluminum.
- SSSM2CCKITB** Black Anodized Aluminum.
- SSSM2CCKITS** Satin Stainless Steel SS316.



#### Drain Blocks

Anodized Aluminum. Sold in a package of 10.

- SSSM2DRAINT** For M2, 3/8" thick.





### End Caps Top Mount Installations

Sold in a package of 2.

- SSSM2ENDCP1X** Satin Anodized Aluminum.
- SSSM2ENDCP2X** Black Anodized Aluminum.
- SSSM2ENDCP3X** Satin Stainless Steel SS316.

### Top Mount Stair Installations

Sold Individually.

- SSSM2ENDCAP1** Satin Anodized Aluminum.
- SSSM2ENDCAP2** Black Anodized Aluminum.
- SSSM2ENDCAP3** Satin Stainless Steel SS316.



### Leveling Shims

Anodized Aluminum. Sold in a package of 5.

- SSSM2SHIM** 1.5mm thick.



### Grips

Sold in a package of 2 for **12-12.76mm** Glass.

- SSSM2GRIPS**



### Gap Rubber Spacer

Glass Spacer to fill the gap between Glass Panels.

- SSSM2GAP**



### Joining Pins

Sold in a package of 4. Pins are used to attach sections of the extruded Base Shoe together.

- SSSM3JOINPIN**



### Tools

Wrenches for Base Shoe Grips. Open End Wrench size: 19mm or 3/4".

- SSWRENCH1** Standard Wrench.
- SSWRENCH3** Ratcheting Wrench.

# M3

BASE SHOE



PHOTO: AC Glass & Mirror Ltd

# TILT-LOCK™

Tilt Adjustable Glass Railing Technology

## M3 BASE SHOE

Residential  
Interior / Exterior

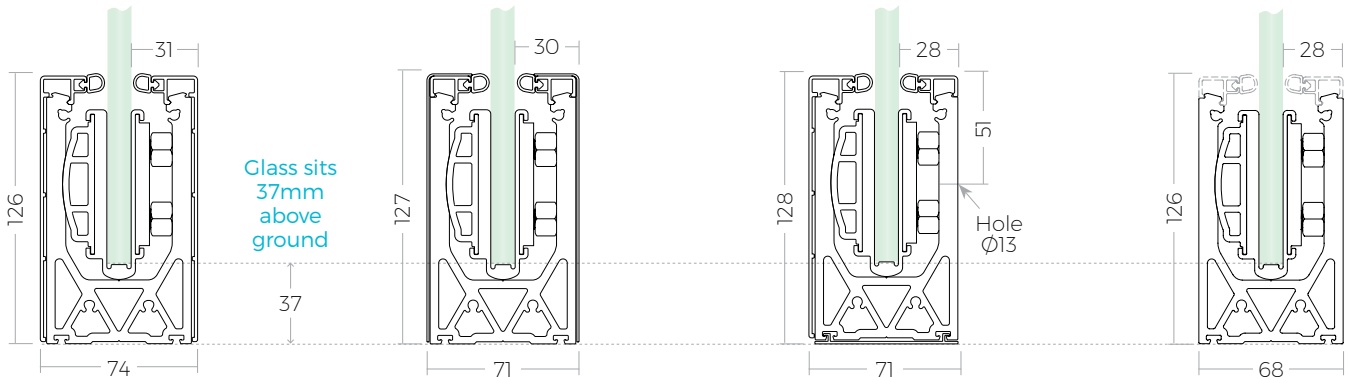


Top Mount  
Aluminum Cladding

Top Mount  
Stainless Steel Cladding

Side Mount  
Aluminum Cladding

Recessed or  
No Cladding



### Kit Includes

PART #	Shoe Length	Full Cover Cladding	Glass Grips	End Caps	Joining Pins	Glass Gap	Stabilizing Washers
<b>Top Mount Cladded Kits</b>							
SSSM3SHOE10A	10'	2 x 10'	10	2	4	1 x 4"	10
SSSM3SHOE10B	10'	2 x 10'	10	2	4	1 x 4"	10
SSSM3SHOE10S	10'	2 x 10'	10	2	4	1 x 4"	10
SSSM3SHOE20A	20'	2 x 20'	20	2	8	1 x 8"	20
SSSM3SHOE20S	20'	2 x 20'	20	2	8	1 x 8"	20
<b>Top Mount Non-Cladded Kits</b>							
SSSM3SHOE10	10'	N/A	10	2	4	1 x 4"	10
SSSM3SHOE20	20'	N/A	20	2	8	1 x 8"	20
<b>Side Mount Cladded Kits</b>							
SSSM3SIDE10A	10'	1 x 10'	10	2	4	1 x 4"	10
SSSM3SIDE10B	10'	1 x 10'	10	2	4	1 x 4"	10



Use 1/2" or M12 Fasteners. Refer to pages 198-200.



### Cladding

#### Top Cover Cladding

Sold as a pair with Gaskets for **12-12.76mm** Glass thickness.

- SSSM3TCC10A** 10' Clear Anodized Aluminum.
- SSSM3TCC10B** 10' Black Anodized Aluminum.

#### Top Mount Cladding 10' Lengths

Sold individually with installed Gasket for **12-12.76mm** Glass included.

- SSSM3CLADA** Satin Anodized Aluminum.
- SSSM3CLADB** Black Anodized Aluminum.
- SSSM3CLADC** Mill Finish Aluminum.
- SSSM3CLADS** Satin Stainless Steel SS316.
- SSSM3CLADM** Mirror Stainless Steel SS316.



#### 20' Lengths

Sold individually with installed Gasket for **12-12.76mm** Glass included.

- SSSM3CLADA1** Satin Anodized Aluminum.
- SSSM3CLADS1** Satin Stainless Steel SS316.

#### Side Mount Cladding 10' Lengths

Sold Individually with installed Gasket for **12-12.76mm** Glass included.

- SSSM3CLADXA** Satin Anodized Aluminum.
- SSSM3CLADXB** Black Anodized Aluminum.



#### Cladding Tape

Can be used when installing Cladding.

- SSSMCLADTAPE** Double-sided, 108' length.



#### 90° Base Shoe Corners For Top Mount Shoes Only

90° Aluminum extruded 6" mitered corners with 2 Holes, 2 Washers, and 4 Joining Pins.

- SSSM3CCSHOEI** Inside.
- SSSM3CCSHOEO** Outside.



#### 90° Corner Cut Cladding Kits For Top Mount Shoes Only

90° Mitered Corner Cladding Kits match Top Mount Base Shoe. Each Kit consists of 2 outside and 2 inside pieces to complete the corner. 12" in length.

**Includes:** Cladding and Gaskets.

- SSSM3CCKITA** Satin Anodized Aluminum.
- SSSM3CCKITB** Black Anodized Aluminum.
- SSSM3CCKITS** Satin Stainless Steel SS316.



Top Mount

Side Mount

#### Drain Blocks

Anodized Aluminum. Sold in a package of 10.

- SSSM3DRAINT** For M3 Top Mount Shoe. 3/8" thick.
- SSSM3DRAINS** For M3 Side Mount Shoe. 3/8" thick.

## End Caps

### Top Mount Installations

Sold in a package of 2.

<b>SSSM3ENDCP1X</b>	Satin Anodized Aluminum.
<b>SSSM3ENDCP3X</b>	Black Anodized Aluminum.
<b>SSSM3ENDCP2X</b>	Satin Stainless Steel SS316.
<b>SSSM3ENDCP4X</b>	Mirror Stainless Steel SS316.



### Top Mount Stair Installations

Sold Individually.

<b>SSSM3ENDCAP1</b>	Satin Anodized Aluminum.
<b>SSSM3ENDCAP5</b>	Black Anodized Aluminum.
<b>SSSM3ENDCAP2</b>	Satin Stainless Steel SS316.
<b>SSSM3ENDCAP7</b>	Mirror Stainless Steel SS316.

### Side Mount Stair Installations

Sold Individually.

<b>SSSM3ENDCAP3</b>	Satin Anodized Aluminum.
---------------------	--------------------------

## Leveling Shims

Anodized Aluminum. Sold in a package of 5.

<b>SSSM3SHIM1</b>	1.5mm thick.
<b>SSSM3SHIM2</b>	3mm thick.



## Grips

Sold in a package of 2 for **12-12.76mm** Glass.

**SSSM3GRIPS**



## Gap Rubber Spacer

Glass Spacer to fill the gap between Glass Panels.

**SSSM3GAP**



## Joining Pins

Sold in a package of 4. Pins are used to attach sections of the extruded Base Shoe together.

**SSSM3JOINPIN**



## Tools

Wrenches for Base Shoe Grips. Open End Wrench size: 19mm or 3/4".

<b>SSWRENCH1</b>	Standard Wrench.
<b>SSWRENCH3</b>	Ratcheting Wrench.



# M4

BASE SHOE



# TILT-LOCK™

Tilt Adjustable Glass Railing Technology

## M4 BASE SHOE

Residential / Commercial  
Interior / Exterior



**A**  
Satin  
Anodized  
Aluminum

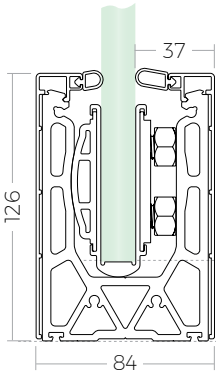
**B**  
Black  
Anodized  
Aluminum

**S**  
Satin  
Stainless  
Steel

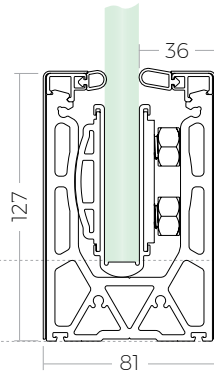


TILT-LOCK™ M4 Base Shoes

Top Mount  
Aluminum Cladding

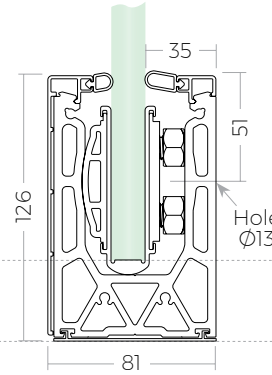


Top Mount  
Stainless Steel Cladding

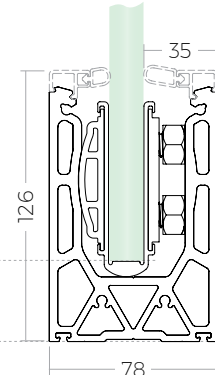


Glass sits  
37mm  
above  
ground

Side Mount  
Aluminum Cladding  
CUSTOM ORDER



Recessed or  
No Cladding



### Kit Includes

PART #	Shoe Length	Full Cover Cladding	*Glass Grips	End Caps	Joining Pins	Glass Gap	Stabilizing Washers
<b>Top Mount Cladded Kit</b>							
SSSM4SHOE10A	10'	2 x 10'	10	2	4	1 x 4"	10
SSSM4SHOE10B	10'	2 x 10'	10	2	4	1 x 4"	10
SSSM4SHOE10S	10'	2 x 10'	10	2	4	1 x 4"	10
<b>Top Mount Non-Cladded Kit</b>							
SSSM4SHOE10	10'	N/A	10	2	4	1 x 4"	10

\*10 Glass Grips are included in Glass Kit Options below. Select Glass Kit option to suit your Glass thickness.

### Glass Kit Options

PART #	Glass Thickness (mm)
SSSM4GLASS1	12-13.52
SSSM4GLASS2	14.28-15
SSSM4GLASS3	16-17.52

Use 1/2" or M12 Fasteners. Refer to pages 198-200.



## Cladding Top Cover Cladding

Sold as a pair. Use the Gaskets provided in the Glass Kit.

- SSSM3TCC10A** 10' Satin Anodized Aluminum.
- SSSM3TCC10B** 10' Black Anodized Aluminum.

## 10' Lengths

Sold as a pair. Use the Gaskets provided in the Glass Kit.

- SSSM3CLADA** Satin Anodized Aluminum.
- SSSM3CLADB** Black Anodized Aluminum.
- SSSM3CLADC** Mill Finish Aluminum.
- SSSM3CLADS** Satin Stainless Steel SS316.
- SSSM3CLADM** Mirror Stainless Steel SS316.



## 20' Lengths

Sold as a pair. Use the Gaskets provided in the Glass Kit.

- SSSM3CLADA1** Satin Anodized Aluminum.
- SSSM3CLADS1** Satin Stainless Steel SS316.



## Cladding Tape

Can be used when installing Stainless Steel Cladding.

- SSSMCLADTAPE** Double-sided, 108' length.



## 90° Base Shoe Corners For Top Mount Shoes Only

90° Aluminum extruded 6" mitered corners with 2 Holes, 2 Washers, and 4 Joining Pins.

- SSSM4CCSHOEI** Inside.
- SSSM4CCSHOEO** Outside.



## 90° Corner Cut Cladding Kits For Top Mount Shoes Only

90° Mitered Corner Cladding Kits match Top Mount Base Shoe. Each Kit consists of 2 outside and 2 inside pieces to complete the corner. 12" in length.

**Includes:** Cladding. Use the Gaskets provided in the Glass Kit.

- SSSM3CCKITA** Satin Anodized Aluminum.
- SSSM3CCKITB** Black Anodized Aluminum.
- SSSM3CCKITS** Satin Stainless Steel SS316.



### Drain Blocks

Anodized Aluminum. Sold in a package of 10.

**SSSM4DRAINT** For M4 Top Mount. 3/8" thick.



### End Caps

#### Top Mount Installations

Sold in a package of 2.

**SSSM4ENDCAP3** Black Anodized Aluminum.

**SSSM4ENDCAP2** Satin Stainless Steel SS316.

#### Top Mount Stair Installations

Sold Individually.

**SSSM4ENDCAP1** Satin Anodized Aluminum.



### Leveling Shims

Anodized Aluminum. Sold in a package of 5.

**SSSM4SHIM1** 1.5mm thick.

**SSSM4SHIM2** 3mm thick.



### Grips

Sold in a package of 2 for **16-17.52mm** Glass.

**SSSM4GRIPS**



### Gap Rubber Spacer

Glass Spacer to fill the gap between Glass Panels.

**SSSM4GAP**



### Joining Pins

Sold in a package of 4. Pins are used to attach sections of the extruded Base Shoe together.

**SSSM3JOINPIN**



### Tools

Wrenches for Base Shoe Grips. Open End Wrench size: 19mm or 3/4".

**SSWRENCH1** Standard Wrench.

**SSWRENCH3** Ratcheting Wrench.

# M5

BASE SHOE



# TILT-LOCK™

Tilt Adjustable Glass Railing Technology

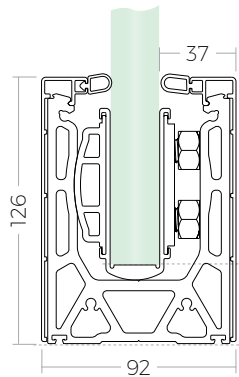
## M5 BASE SHOE

Residential / Commercial  
Interior / Exterior

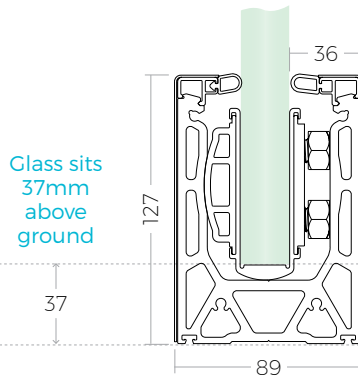


TILT-LOCK™ M5 Base Shoes

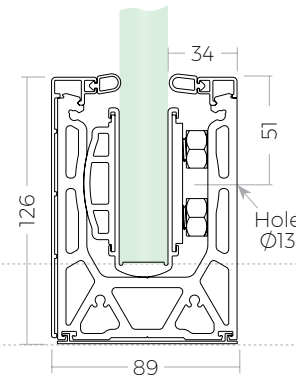
Top Mount  
Aluminum Cladding



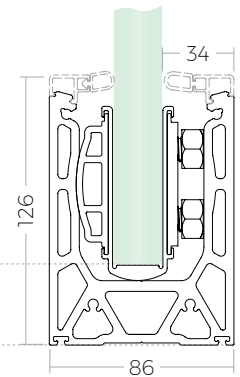
Top Mount  
Stainless Steel Cladding



Side Mount  
Aluminum Cladding  
CUSTOM ORDER



Recessed or  
No Cladding



### Kit Includes

PART #	Shoe Length	Full Cover Cladding	*Glass Grips	End Caps	Joining Pins	Glass Gap	Stabilizing Washers
<b>Top Mount Cladded Kit</b>							
SSSM5SHOE10A	10'	2 x 10'	10	2	4	1 x 4"	10
SSSM5SHOE10B	10'	2 x 10'	10	2	4	1 x 4"	10
SSSM5SHOE10S	10'	2 x 10'	10	2	4	1 x 4"	10
<b>Top Mount Non-Cladded Kit</b>							
SSSM5SHOE10	10'	N/A	10	2	4	1 x 4"	10

\*10 Glass Grips are included in Glass Kit Options below. Select Glass Kit option to suit your Glass thickness.

### Glass Kit Options

PART #	Glass Thickness (mm)
SSSM5GLASS1	19-21.52
SSSM5GLASS2	24.76-26.52



Use 1/2" or M12 Fasteners. Refer to pages 198-200.



**Cladding**  
Top Cover Cladding

Sold as a pair. Use the Gaskets provided in the Glass Kit.

- SSSM3TCC10A** 10' Satin Anodized Aluminum.
- SSSM3TCC10B** 10' Black Anodized Aluminum.

**10' Lengths**

Cladding. Use the Gaskets provided in the Glass Kit.

- SSSM3CLADA** Satin Anodized Aluminum.
- SSSM3CLADB** Black Anodized Aluminum.
- SSSM3CLADC** Mill Finish Aluminum.
- SSSM3CLADS** Satin Stainless Steel SS316.
- SSSM3CLADM** Mirror Stainless Steel SS316.



**20' Lengths**

Cladding. Use the Gaskets provided in the Glass Kit.

- SSSM3CLADA1** Satin Anodized Aluminum.
- SSSM3CLADS1** Satin Stainless Steel SS316.



**Cladding Tape**

Can be used when installing Cladding.

- SSSMCLADTAPE** Double-sided, 108' length.



**90° Base Shoe Corners** For Top Mount Shoes Only

90° Aluminum extruded 6" mitered corners with 2 Holes, 2 Washers, and 4 Joining Pins.

- SSSM5CCSHOEI** Inside.
- SSSM5CCSHOEO** Outside.



**90° Corner Cut Cladding Kits** For Top Mount Shoes Only

90° Mitered Corner Cladding Kits match Top Mount Base Shoe. Each Kit consists of 2 outside and 2 inside pieces to complete the corner. 12" in length.

**Includes:** Cladding. Use the Gaskets provided in the Glass Kit.

- SSSM3CCKITA** Satin Anodized Aluminum.
- SSSM3CCKITB** Black Anodized Aluminum.
- SSSM3CCKITS** Satin Stainless Steel SS316.



### Drain Blocks

Anodized Aluminum. Sold in a package of 10.

**SSSM5DRAINT** For M5, 3/8" thick.



### End Caps

#### Top Mount Installations

Sold in a package of 2.

**SSSM5ENDCAP3** Black Anodized Aluminum.

**SSSM5ENDCAP2** Satin Stainless Steel SS316.

#### Top Mount Stair Installations

Sold Individually.

**SSSM5ENDCAP1** Satin Anodized Aluminum.



### Leveling Shims

Anodized Aluminum. Sold in a package of 5.

**SSSM5SHIM1** 1.5mm thick.

**SSSM5SHIM2** 3mm thick.



### Grips

Sold in a package of 2 for **19-21.52mm** Glass.

**SSSM5GRIPS**



### Gap Rubber Spacer

Glass Spacer to fill gap between Glass Panels.

**SSSM5GAP**



### Joining Pins

Sold in a package of 4. Pins are used to attach sections of the extruded Base Shoe together.

**SSSM3JOINPIN**



### Tools

Wrenches for Base Shoe Grips. Open End Wrench size: 19mm or 3/4".

**SSWRENCH1** Standard Wrench.

**SSWRENCH3** Ratcheting Wrench.

# TVLT-LOCK™

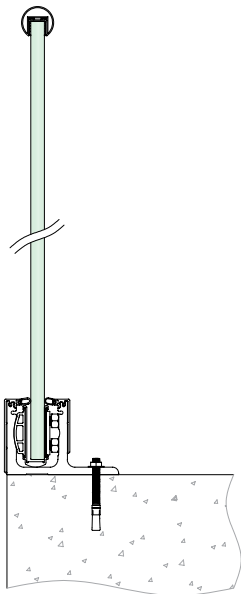
Tilt Adjustable Glass Railing Technology

**NEW**

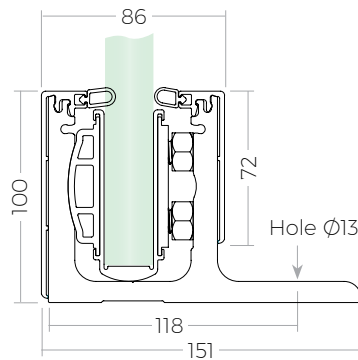
## M6L BASE SHOE

Commercial  
Interior / Exterior

CUSTOM ORDER. Please Inquire.



### Top Mount Aluminum Cladding



### Kit Includes

PART #	Shoe Length	Full Cover Cladding	*Glass Grips	End Caps	Joining Pins	Glass Gap
<b>SSSM6SHOELA</b>	10'	2 x 10'	10	2	4	1 x 4"
<b>SSSM6SHOELB</b>	10'	2 x 10'	10	2	4	1 x 4"
<b>SSSM6SHOELS</b>	10'	2 x 10'	10	2	4	1 x 4"

### Top Mount Cladded Kits

\*10 Glass Grips are included in Glass Kit options below. Select Glass Kit option to suit your Glass thickness.

### Glass Kit Options

PART #	Glass Thickness (mm)
<b>SSSM6GLASS1</b>	19
<b>SSSM6GLASS2</b>	20-21.52
<b>SSSM6GLASS3</b>	24.76-25.52
<b>SSSM6GLASS4</b>	26.52

### M6L Base Shoe Accessories

Use 1/2" or M12 Fasteners. Refer to pages 198-200.



#### Drain Blocks

Anodized Aluminum.  
Sold in a package of 10.  
**SSSM6DRAINL** For M6L. 3/8" thick.



#### Leveling Shims

Anodized Aluminum.  
Sold in a package of 5.  
**SSSM6SHIM1** 1.5mm thick.  
**SSSM6SHIM2** 3mm thick.



#### Gap Rubber Spacer

Glass Spacer to fill the gap between Glass Panels.  
**SSSM5GAP**

# TVLT-LOCK™

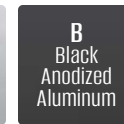
Tilt Adjustable Glass Railing Technology

**NEW**

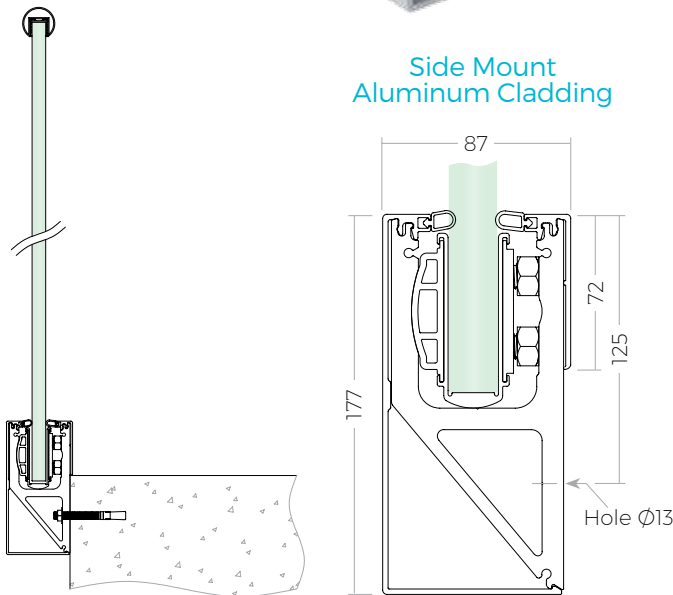
## M6Y BASE SHOE

Commercial  
Interior / Exterior

CUSTOM ORDER. Please Inquire.



### Side Mount Aluminum Cladding



### Kit Includes

PART #	Shoe Length	Full Cover Cladding	*Glass Grips	End Caps	Joining Pins	Glass Gap
<b>Side Mount Cladded Kits</b>						
SSSM6SHOEYA	10'	2 x 10'	10	2	4	1 x 4"
SSSM6SHOEYB	10'	2 x 10'	10	2	4	1 x 4"
SSSM6SHOEYS	10'	2 x 10'	10	2	4	1 x 4"

\*10 Glass Grips are included in Glass Kit options below. Select Glass Kit option to suit your Glass thickness.

### Glass Kit Options

PART #	Glass Thickness (mm)
SSSM6GLASS1	19
SSSM6GLASS2	20-21.52
SSSM6GLASS3	24.76-25.52
SSSM6GLASS4	26.52

### M6L Base Shoe Accessories

Use 1/2" or M12 Fasteners. Refer to pages 198-200.



#### Drain Blocks

Anodized Aluminum.  
Sold in a package of 10.  
**SSSM6DRAINL** For M6L. 3/8" thick.



#### Leveling Shims

Anodized Aluminum.  
Sold in a package of 5.  
**SSSM6SHIM1** 1.5mm thick.  
**SSSM6SHIM2** 3mm thick.



#### Gap Rubber Spacer

Glass Spacer to fill the gap between Glass Panels.  
**SSSM5GAP**



## TILT-LOCK™ ADJUSTABLE SPIGOTS

The **TILT-LOCK™** Adjustable Spigots are available in 4 models to suit almost every possible mounting requirement for **12-17.52mm** Glass:

- Top Mount Square Base Plate Model.
- Top Mount Centre Concealed Model.
- Edge Mount Model.
- Side Mount Model.

Our **TILT-LOCK™** Adjustable Spigots are available in 4 finishes: Satin, Graphite Black, Matte Black, and Powder Coated Black. These Spigots have clean architectural lines, creating a unique façade and providing a very cost-efficient modern solution for structural Glass Railings. We also offer Standard Spigots in the same finishes.

The **No-Holes-in-the-Glass** system along with our patented technology allows a **2°** front and back tilting of the Glass in the Spigots, giving you a perfect installation every time by simply tightening the upper or lower Screw. All adjustments can be achieved from one side. This strong, reliable Glass Mounting System is highly recommended for pools and decks, where there is constant exposure to the elements in the Exterior environment.

### Features

- Duplex 2205 low carbon Ultra Marine Grade Stainless Steel, allowing for superior corrosion resistance as well as more tensile strength than 316 Grade Stainless Steel.
- Highly suitable for use in Exterior structures with a high degree of corrosion due to chlorine or sulphur dioxide load, high humidity, and accumulation of harmful substances (e.g. coastal regions and swimming pool environments).
- Engineered for the National Building Code of Canada. Refer to back inside cover for glass guard design information.



Patented in Canada, U.S., U.K., Europe, Australia, New Zealand, and China.



**DISCLAIMER:** Please be aware that chlorine, dirt, and other particles can get sprayed onto the Spigots if using a power washer while cleaning your Spigot environment. To avoid potential Stainless Steel contamination, remove any residue on Spigots with warm water and soap or mild detergent, then rinse thoroughly with clear hot water.



# TILT-LOCK™ Adjustable Spigots

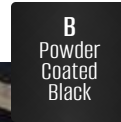
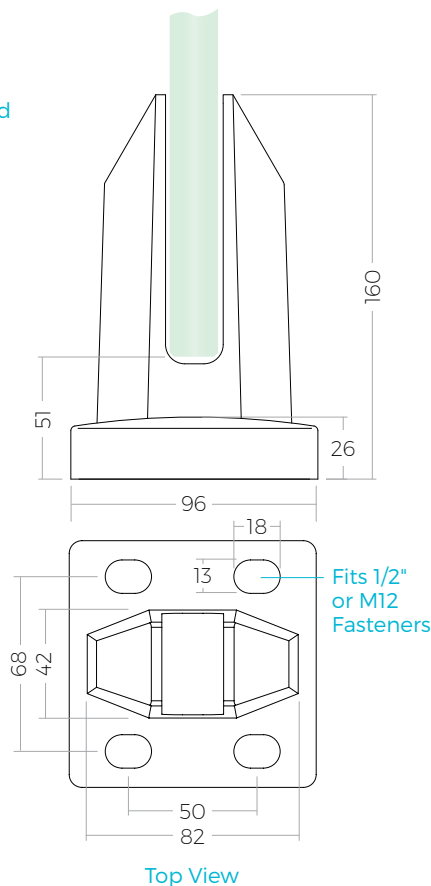
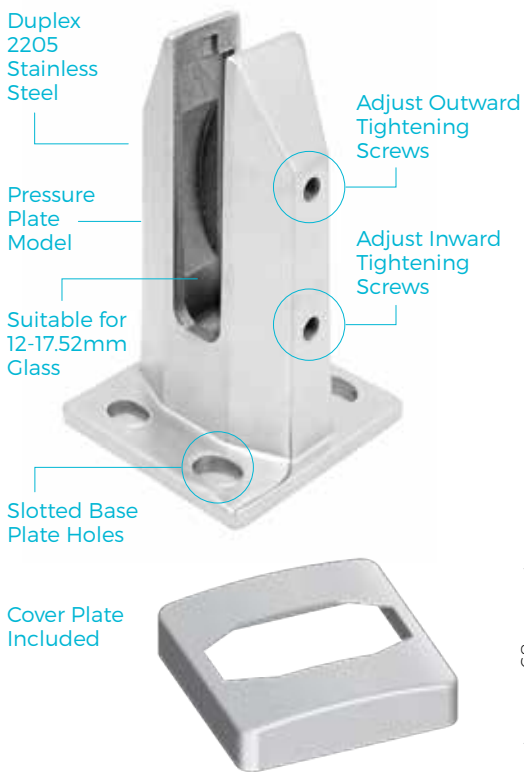


PHOTO: DM l'Equipeur

## TILT-LOCK™ TOP MOUNT SPIGOT Square Base Plate Cover Model



SPIGOT PART #	Finish
SSSPIGOTADJ	S
SSSPIGOTADJB	B
SSSPIGOTAGB	GB
SSSPIGOTAMB	MB

### Fastener Options

(Sold Separately - See pg 197-202)  
Choose according to your needs. Refer to engineering for Fastener sizing.

**For Wood:**

- 1/2" Lag Bolt.

**Thru-Bolt:**

- SSSPIGOTBOLT

**For Concrete:**

- 1/2" or M12 Wedge Anchors.
- 1/2" or M12 Threaded Rod with Nut, Washer and Epoxy.

Scan for more info and installation procedure. Inquire about engineering.

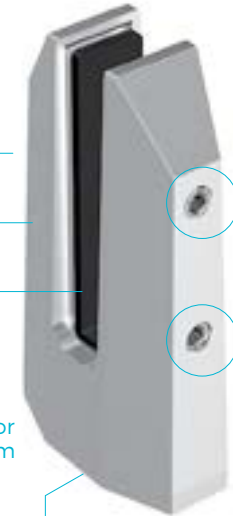


**TILT-LOCK™ TOP MOUNT SPIGOT**  
Center Concealed Mounting Model

Duplex  
2205  
Stainless  
Steel

Pressure  
Plate  
Model

Suitable for  
12-17.52mm  
Glass

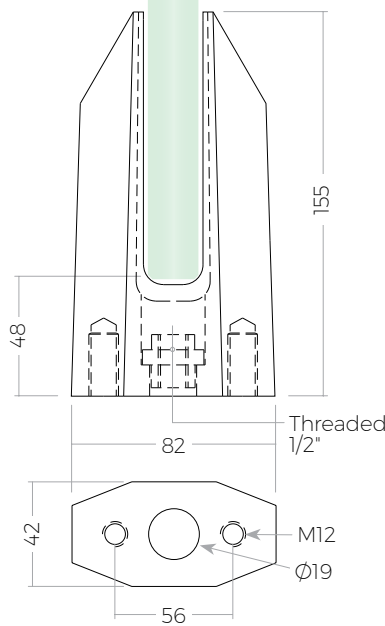


No Cover  
Plate  
Required

Adjust Outward  
Tightening  
Screws

Adjust Inward  
Tightening  
Screws

Engineered  
Fastening  
Kit  
SSSPIGOTADJP  
Available



Bottom View

SPIGOT PART #	Finish
<b>SSSPIGOTADJN</b>	<b>S</b>

**Fastening Kit** (Sold Separately)  
SSSPIGOTADJP Engineered Fastening Kit

- 2 Stainless Steel M16 x 170mm Threaded Rod and M16 Nut secured by Epoxy for concrete or as a Thru-Bolt.

**Fastener Options**  
(Sold Separately - See pg 197-202)  
Choose according to your needs.  
Refer to engineering for Fastener sizing.

- For Wood:**
- 1/2" Threaded Rod with Nut and Washer used as Thru-Bolt.

- For Concrete:**
- 1/2" or Wedge Anchors.
  - 1/2" or Threaded Rod with Nut, Washer and Epoxy.



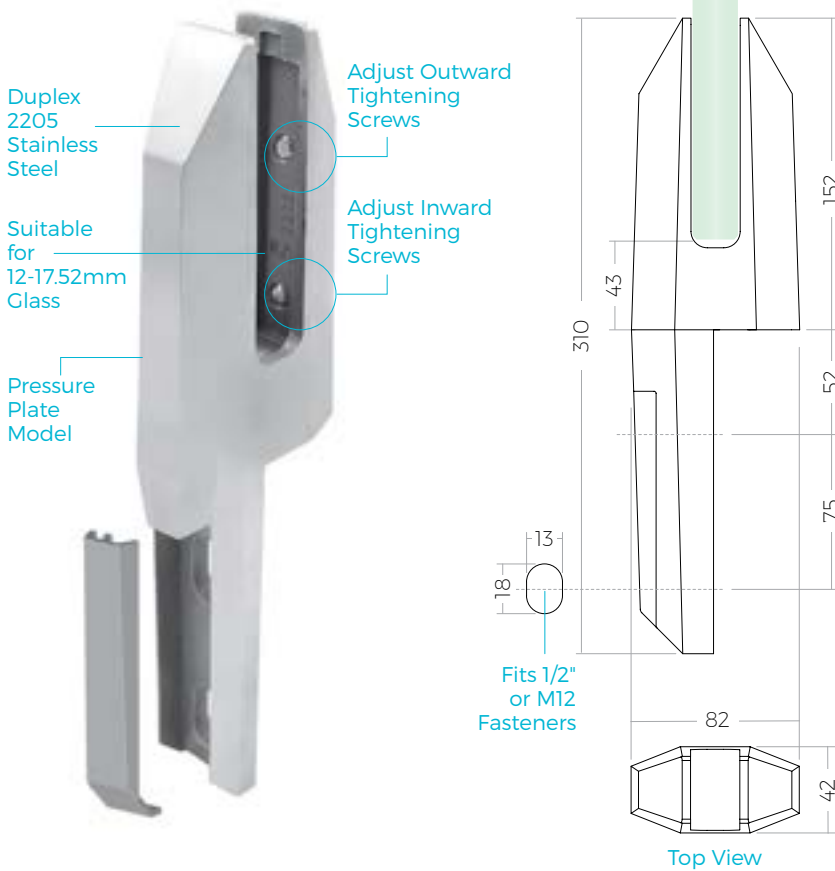
Scan for more info and installation procedure. Inquire about engineering.

Engineered for windscreen applications by using a special Fastener Kit **SSSPIGOTADJP**.





**TILT-LOCK™ EDGE MOUNT SPIGOT**



SPIGOT PART #	Finish
SSSPIGOTEDGE	S
SSSPIGOTEDB	B
SSSPIGOTEGB	GB
SSSPIGOTEMB	MB

**Fastener Options**  
(Sold Separately - See pg 197-202)

Choose according to your needs. Refer to engineering for Fastener sizing.

**For Wood:**

- 1/2" Lag Bolt.

**Thru-Bolt:**

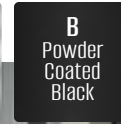
- SSSPIGOTBOLT

**For Concrete:**

- 1/2" or M12 Wedge Anchors.
- 1/2" or M12 threaded Rod with Nut, Washer and Epoxy.

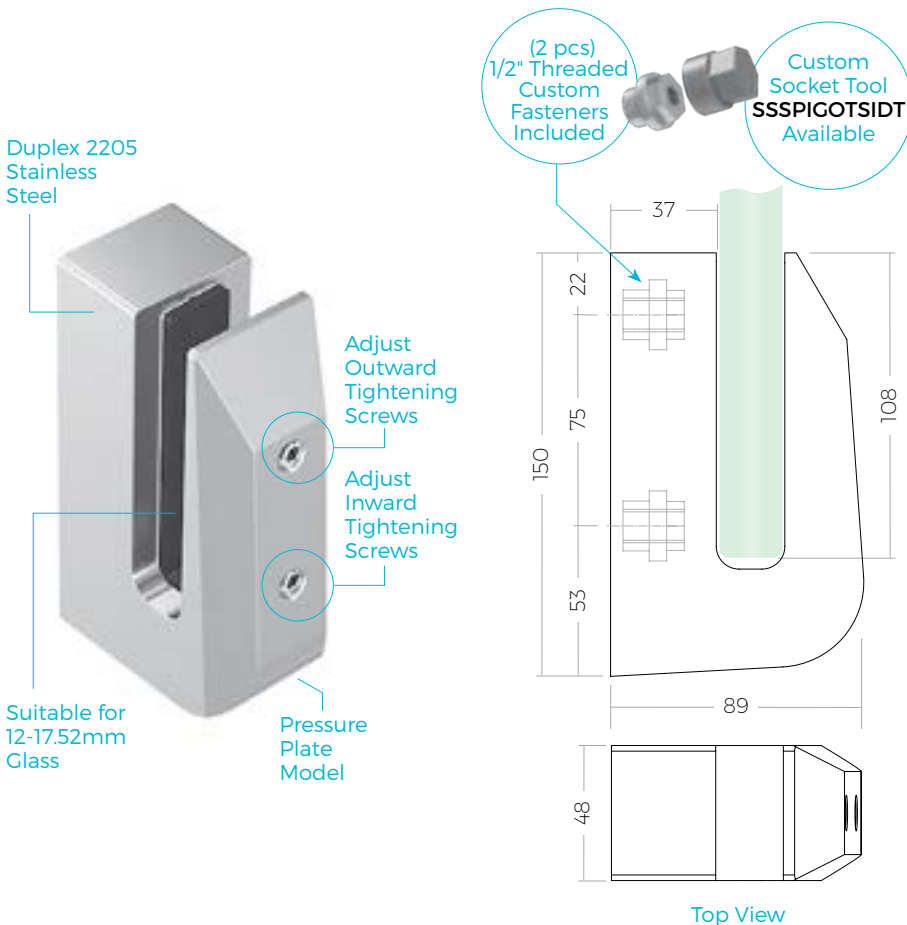
Scan for more info and installation procedure. Inquire about engineering.

**TILT-LOCK**  
The Adjustable Glass Railing Technology

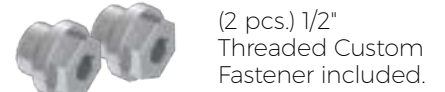


TILT-LOCK™ Spigots

**TILT-LOCK™ SIDE MOUNT SPIGOT**



SPIGOT PART #	Finish
SSSPIGOTSIDE	S
SSSPIGOTSIDB	B
SSSPIGOTSIGB	GB
SSSPIGOTSIMB	MB



**Fastener Options**

(Sold Separately - See pg 197-202)  
Choose according to your needs. Refer to engineering for Fastener sizing.

**For Wood:**

- 1/2" Hanger Bolt, or Thru-Bolt.

**For Concrete:**

- 1/2" Wedge Anchors.
- 1/2" Threaded Rod and Epoxy.



Scan for more info and installation procedure. Inquire about engineering.

# TYLT-LOCK™

Tilt Adjustable Glass Railing Technology



PHOTO: Karawood Industries

# Round TILT-LOCK™ T3 Lockable Adjustable Glass Standoffs

- **NEW** increased range of Glass sizes from 3/8"-7/8", suitable for Commercial and Residential projects.
- **Locking System** secures Standoff in adjusted position, preventing misalignment once the Cap is assembled or disassembled. Pg 39.
- **3D Adjustability** allows  $\pm 3^\circ$  tilt of Glass Railings, while the slot hole provides vertical and horizontal adjustment allowing for more fastening options.

- Duplex-2205 Ultra Marine-Grade Stainless Steel, solid material.
- Designed by EAC and engineered for the National Building Code of Canada. Refer to back inside cover for glass guard design information.
- Cap and Threaded Rod come as one cast piece for superior strength.
- **Patent pending in Canada and U.S.**



**REGISTERED PATENT PRODUCT**

**ENGINEERED**

**3D ADJUSTABILITY**

**S**  
Satin  
Stainless  
Steel

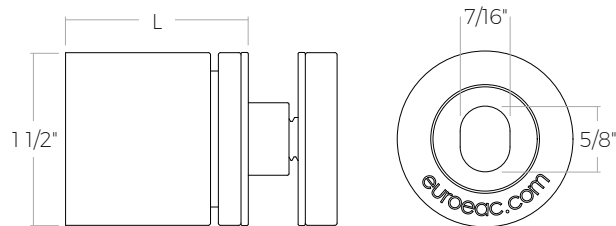
**B**  
Powder  
Coated  
Black

**GB**  
PVD  
Graphite  
Black

**MB**  
PVD  
Matte  
Black

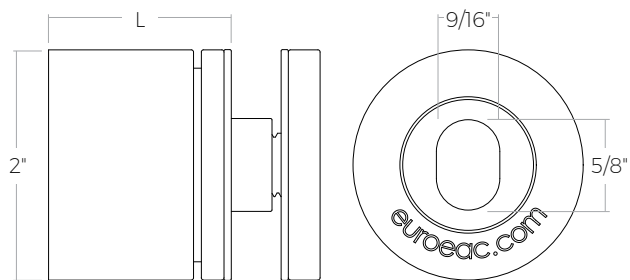
**G**  
PVD  
Gold

**1 1/2" Diameter**  
Accommodates **10-16mm** Glass.  
Recommended Glass Hole size 3/4".  
Recommended Fastener M10 or 3/8". See pg 44.

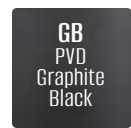
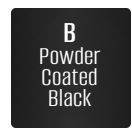
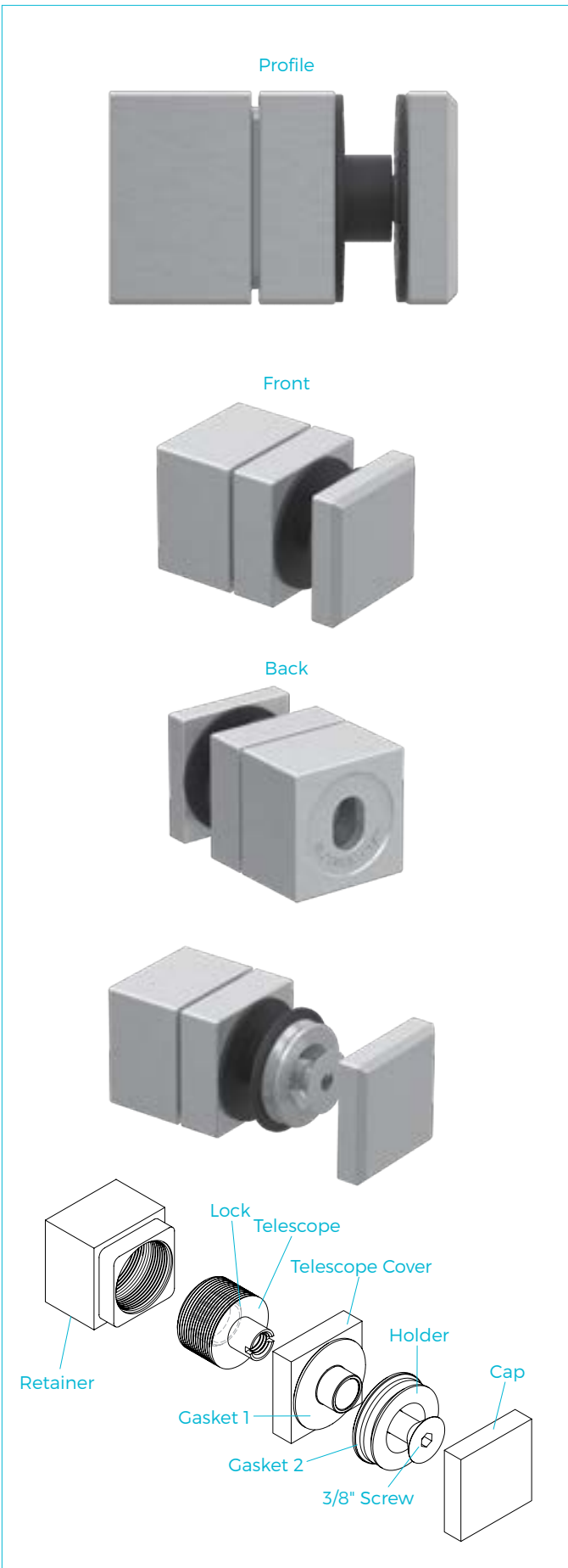


PART #	L (Length)	Max. L (Length)	Glass Size	Finish
SSJ12114	1 1/4"	1 1/2"	10-16mm	S
SSJ12112	1 1/2"	1 3/4"	10-16mm	S / B / GB / MB / G
SSJ122	2"	2 3/8"	10-16mm	S / B / GB / MB

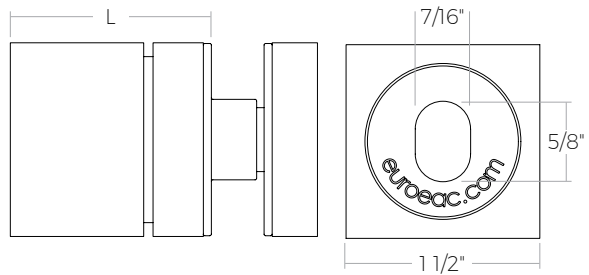
**2" Diameter**  
Accommodates **12-22mm** Glass.  
Recommended Glass Hole size 1".  
Recommended Fastener M12 or 1/2". See pg 44.



PART #	L (Length)	Max. L (Length)	Glass Size	Finish
SSJ2112	1 1/2"	1 3/4"	12-19mm	S / B / GB / G
SSJ22	2"	2 3/8"	12-22mm	S / B / GB



**1 1/2" Diameter**  
 Accommodates 10-16mm Glass.  
 Recommended Glass Hole size 3/4".  
 Recommended Fastener M10 or 3/8". See pg 44.



PART #	L (Length)	Max. Length	Glass Size	Available Finish
SSJQ112	1 1/2"	1 3/4"	10-16mm	S / B / GB / G

# Tilt-Lock™ Glass Standoff Tool

3°

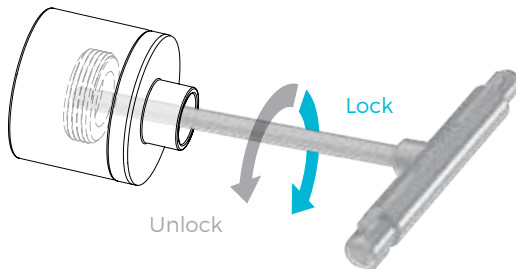
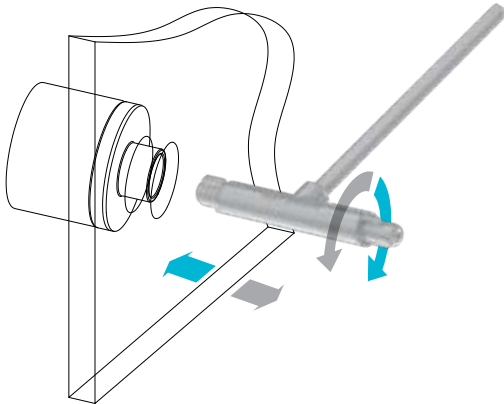


ADJUSTABILITY

Adjust horizontally side to side.

Adjust vertically up and down.

Adjust forward or backward to allow a  $\pm 3^\circ$  adjustment, then lock into place.



Follow the fastener recommendations on pg. 40 in order to activate the lock properly.

This Tool is designed by EAC to facilitate adjustments to our Adjustable Glass Standoffs. The 2 Rounded ends are for adjusting 1 1/2" and 2" diameters respectively. The Allen Key is used to lock and secure the Standoffs in place.

PART #

**SSJTI** Adjustable Standoff Tool.



PHOTO: Innovative Metal Works

## CONCRETE APPLICATION

Threaded Rods with Epoxy or Wedge Anchors are two options to install Standoffs on Concrete.

### 1 1/2" Dia. Standoffs

Option A: Threaded Rod with Epoxy.

- SSKF381** - SS Threaded Rod 3/8" x 5".
- SSNUT3816** - SS Nut 3/8"-16.
- PWS38VP** - SS Flat Washer 3/8".
- FR5-10MX** - FLO-ROK® Epoxy (Fills 39 holes 7/16" x 4 1/2").

Option B: Wedge Anchor.

- ISS38334** - SS Wedge Anchor 3/8" x 3 3/4".

### 2" Dia. Standoffs:

Option A: Threaded Rod with Epoxy.

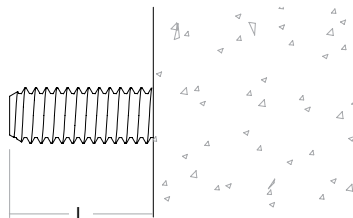
- SSKF121** - SS Threaded Rods 1/2" x 5".
- SSNUT1213** - SS Nut 1/2"-13.
- PWS12CT** - SS Flat Washer 1/2".
- FR5-10MX** - FLO-ROK® Epoxy (Fills 28 holes 9/16" x 4 1/2").

Option B: Wedge Anchors

- ISS12334** - SS Wedge Anchor 1/2" x 3 3/4".
- ISS12412** - SS Wedge Anchor 1/2" x 4 1/2".

**NOTE:** Make sure the length of the Threaded Rods or Wedge Anchors protruding from the surface matches length "L" shown in the chart below:

PART #	L
<b>SSJ112114</b>	9/16"
<b>SSJ112112</b>	5/8"
<b>SSJ1122</b>	3/4"
<b>SSJQ112</b>	3/4"
<b>SSJ2112</b>	3/4"
<b>SSJ22</b>	3/4"

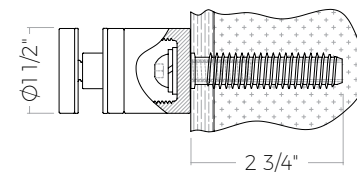


## WOOD APPLICATION

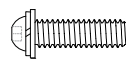
When installed, our Wood Fasteners transfer the load to the Wood structure without compressing the surface material such as Drywall or Siding.

### 1 1/2" Dia. Standoffs

Standoffs are secured to Wood Insert by the 3/8" Machine Screws below:



For **SSJ112114**

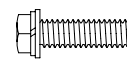


Use **SSFLPK1**  
SS Screw 3/8" x 2"



**SSKFW38234**  
SS Wood Insert

For **SSJ112112**

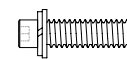


Use **SSFLPK2**  
SS Screw 3/8" x 2"



**SSKFW38234**  
SS Wood Insert

For **SSJ1122** or **SSJQ112**



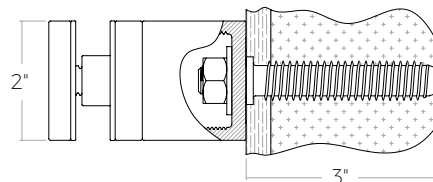
Use **SSFLPK3**  
SS Screw 3/8" x 2"



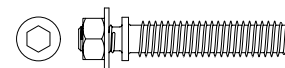
**SSKFW38234**  
SS Wood Insert

### 2" Dia. Standoffs

SS Hanger Bolt sets are used to secure the Standoffs.



For **SSJ2112** or **SSJ22**  
Use **SSJHB124SS** SS Hanger Bolt Set.

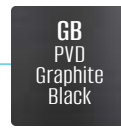
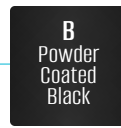


Pilot hole for Wood Insert and Hanger Bolt set:  
Soft Wood: 1/2" · Hard Wood: 3/16"

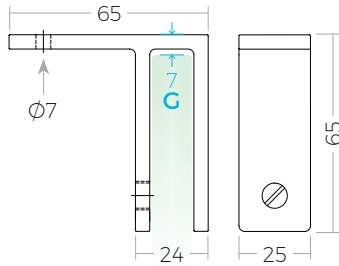


PHOTO: Trueline Moulding Group Inc.

# Standard Ultra Slim Series

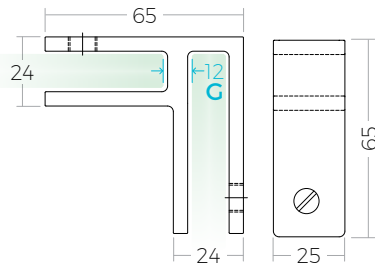


- Single Grub Screw.
- Made of **Duplex 2205**, which has superior strength and corrosion resistance than SS316.
- Minimum gap space between Panels represented by **G**.



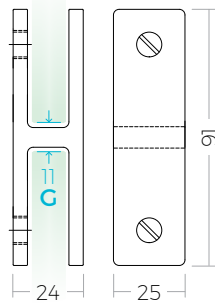
## Glass To Wall

PART #	Finish
<b>SSPFEBWALL</b>	S / B / GB / MB / G



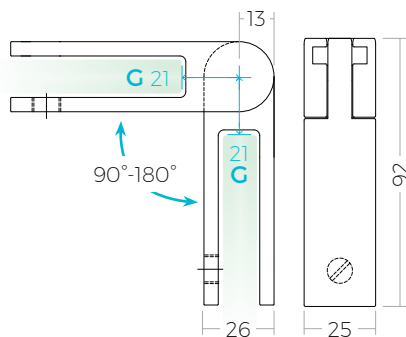
## 90° Glass to Glass

PART #	Finish
<b>SSPFEB90</b>	S / B / GB / MB / G



## 180° Glass to Glass

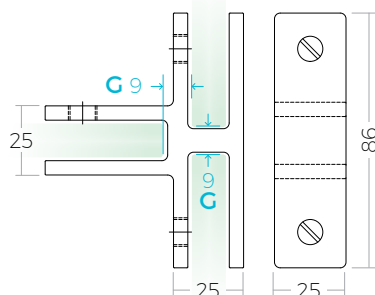
PART #	Finish
<b>SSPFEB180</b>	S / B / GB / MB / G



## Adjustable Glass to Glass

PART #	Finish
<b>SSPFEBADJ</b>	S / B / GB / MB / G

Adjustment from 90° - 180°. Slide and rotate.  
No screw assembly.



## T-Connector Glass to Glass

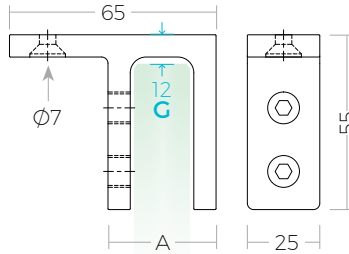
PART #	Finish
<b>SSPFEBT</b>	S



# Heavy Duty Ultra Slim Series

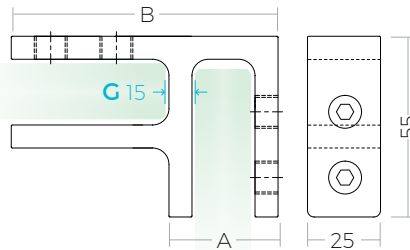


- Gaskets included.
- Double Grub Screws.
- Made of **Duplex 2205**, which has superior strength and corrosion resistance than SS316.
- Minimum gap space between Panels represented by **G**.



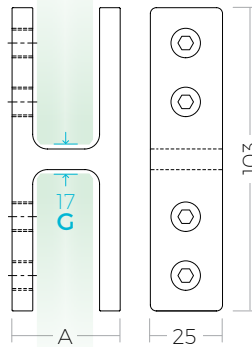
## Glass To Wall

PART #	A	Glass Thickness
<b>SSPFEBWALL1</b>	34	12-15.88mm
<b>SSPFEBWALL2</b>	40	16.76-21.52mm



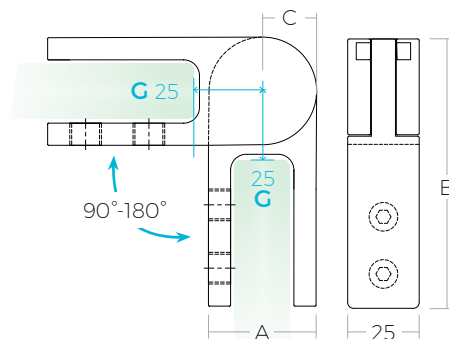
## 90° Glass to Glass

PART #	A	B	Glass Thickness
<b>SSPFEB901</b>	34	82	12-15.88mm
<b>SSPFEB902</b>	40	88	16.76-21.52mm



## 180° Glass to Glass

PART #	A	Glass Thickness
<b>SSPFEB1801</b>	34	12-15.88mm
<b>SSPFEB1802</b>	40	16.76-21.52mm



## Adjustable Glass to Glass

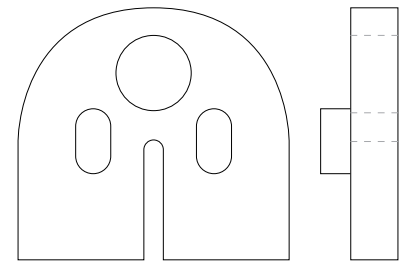
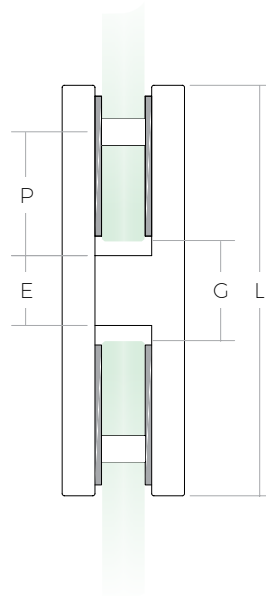
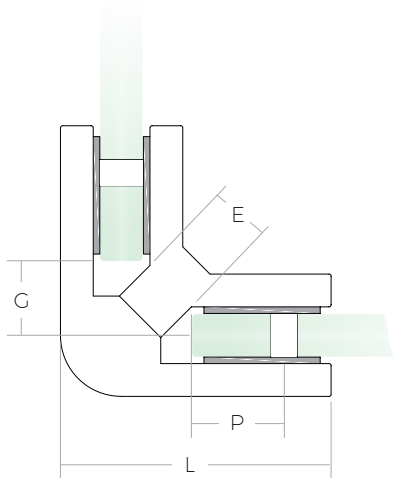
PART #	A	B	C	Glass Thickness
<b>SSPFEBADJ1</b>	34	85	17	12-15.88mm
<b>SSPFEBADJ2</b>	40	91.5	20	16.76-21.52mm

Adjustment from 90° - 180°. Slide and rotate. No screw assembly.

# Standard Glass Connectors



- Accommodates **8-12mm**.
- Made of **SS316** Marine Grade Satin Stainless Steel.



## Glass to Glass 90°

PART #	L	P	E	G
<b>SSGC014XX16S</b>	74	33	15.5	15

## Glass to Glass 180°

PART #	L	P	E	G
<b>SSGC015XX16S</b>	106	30	14	19

## Applicable Gasket

PART #	Glass Thickness
<b>SSGR20002RBN</b>	8
<b>SSGR20003RBN</b>	10
<b>SSGR20004RBN</b>	12



PHOTO: Excel Enclosures & Railings



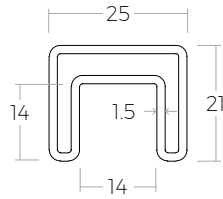
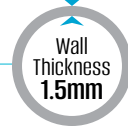
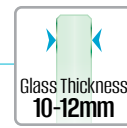
PHOTO: Custom Glass Railings



PHOTO: Airport Railings

# Top Channels & Fittings

- Powder Coated Black available. Please inquire.
- **NO WELDING REQUIRED** using our recommended SSRK-1500 Adhesive.



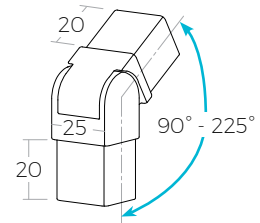
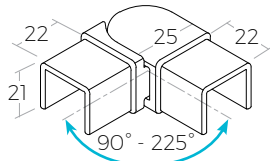
## 25x21mm Top Channel Rail

PART #	L (Length)	SS Grade	Finish
SSUTCH100	19'	316	S

## Gaskets

PART #	Glass Thickness	Length
SSUTCH101	10-11	19'
SSUTCH102	12	19'

## Fittings

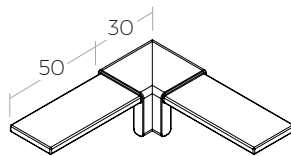


## Swivel Horizontal Elbow

PART #	SS Grade	Finish
SSUTCH103	Duplex 2205	S

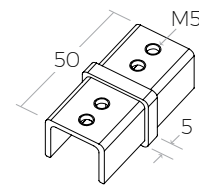
## Swivel Vertical Elbow

PART #	SS Grade	Finish
SSUTCH104	Duplex 2205	S



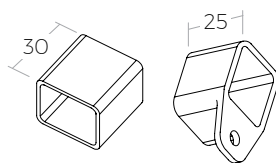
## Horizontal 90° Elbow

PART #	SS Grade	Finish
SSUTCH105	Duplex 2205	S



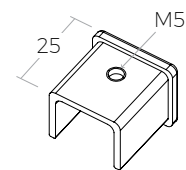
## Straight Connector

PART #	SS Grade	Finish
SSUTCH106	Duplex 2205	S



## Wall Brackets - Affix to Wall or Post.

PART #	SS Grade	Finish
SSUTCH108 (with hole)	Duplex 2205	S
SSUTCH109 (with tab)	Duplex 2205	S



## End Cap

PART #	SS Grade	Finish
SSUTCH107	Duplex 2205	S