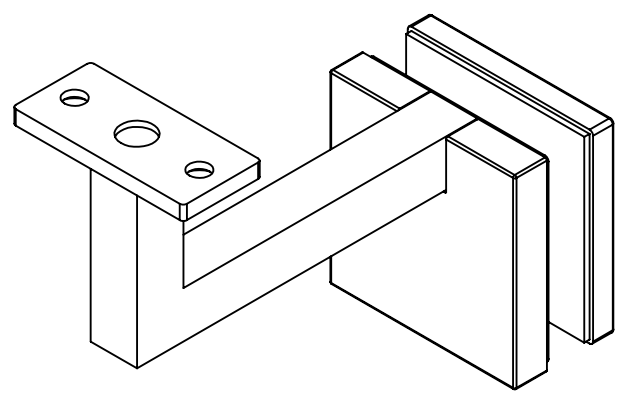
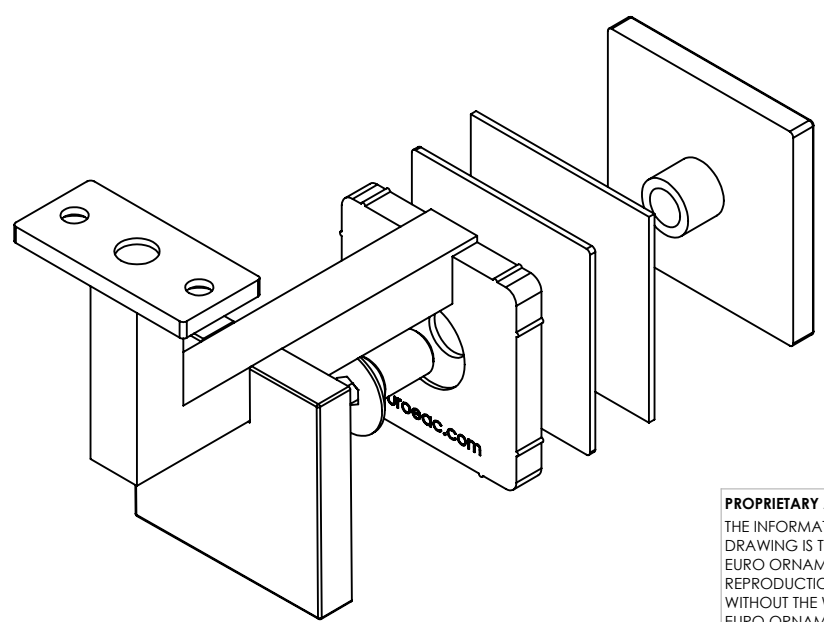
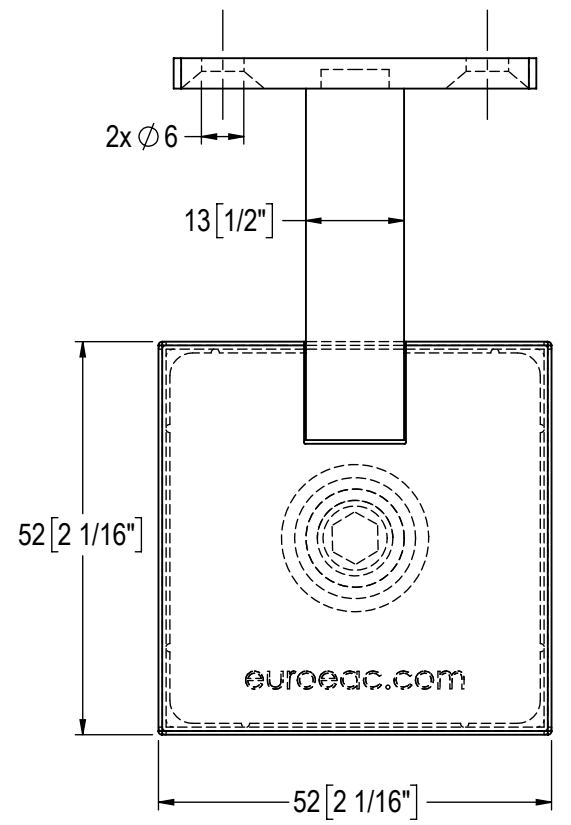


Glass hole dia. = 19mm [3/4"]



**PROPRIETARY AND CONFIDENTIAL**  
 THE INFORMATION CONTAINED IN THIS  
 DRAWING IS THE SOLE PROPERTY OF  
 EURO ORNAMENTAL FORGINGS. ANY  
 REPRODUCTION IN PART OR AS A WHOLE  
 WITHOUT THE WRITTEN PERMISSION OF  
 EURO ORNAMENTAL FORGINGS IS  
 PROHIBITED.



TITLE:  
**3 1/2" Concealed Fixed Square Wall Bracket**  
**#SSZH31226**

DWG NO. SSZH3122\_V0 SHEET 1 OF 1 REV.: 04