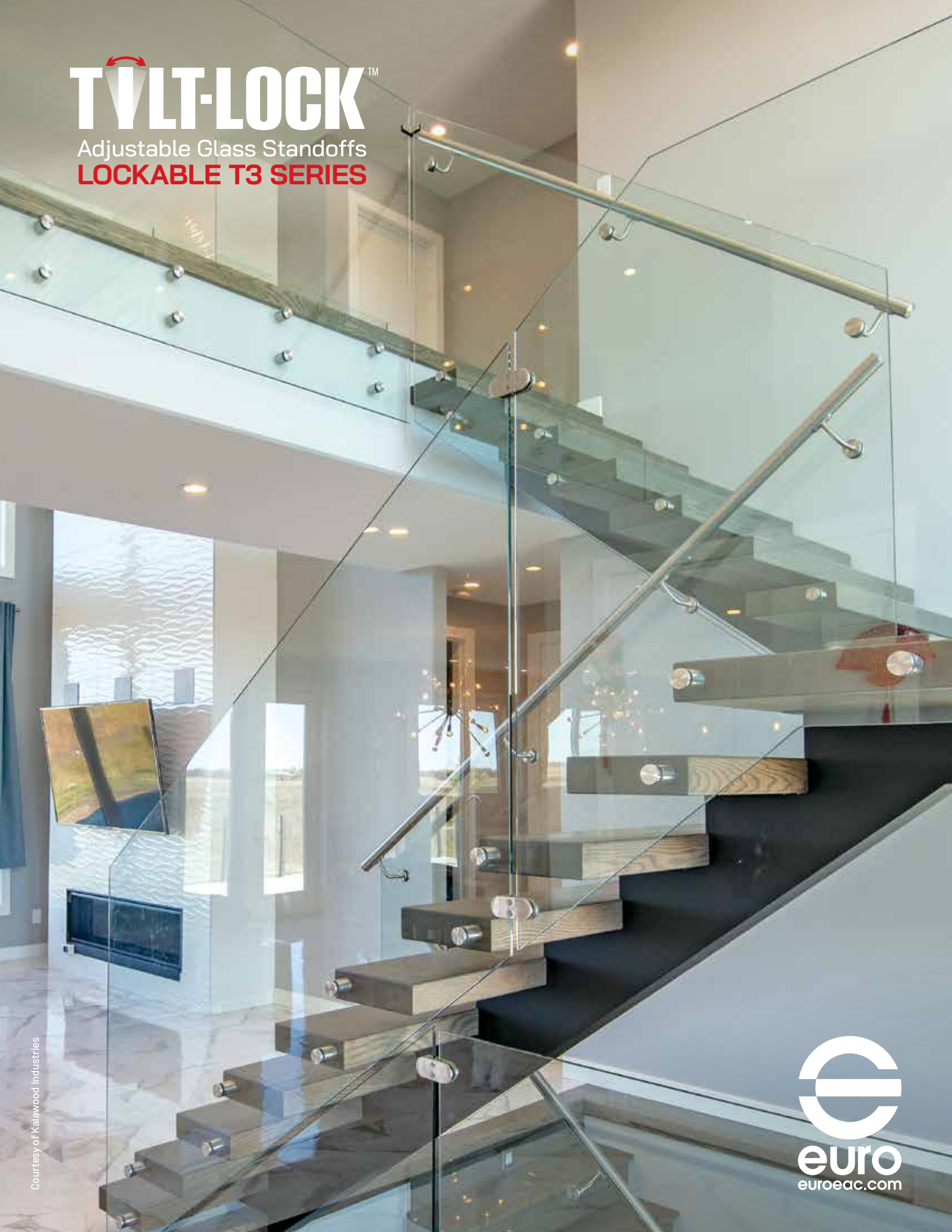


# TVLT-LOCK™

Adjustable Glass Standoffs  
**LOCKABLE T3 SERIES**



Courtesy of Kalawood Industries



# TILT-LOCK™ Adjustable Glass Standoffs

Tilt Adjustable Glass Railing Technology **LOCKABLE T3 SERIES**

Our **Tilt-Lock™** Adjustable Glass Standoffs allow easy and precise vertical alignment of glass panels. After glass panel is set in place, it can be vertically aligned from the front using our Adjustable Standoff Tool by tightening or loosening the Telescope portion of the standoff.

Our **Tilt-Lock™** Adjustable Glass Standoffs are available in 1 1/2" and 2" diameters in various lengths. All sizes are available in **Satin (S)**, with some sizes also available in **Powder Coated Black (B)**, **PVD Graphite Black (GB)**, **PVD Matte Black (MB)** and **PVD Gold (G)** finishes. These standoffs feature an internal locking mechanism with a clean design that conceals the threads in the spacer.

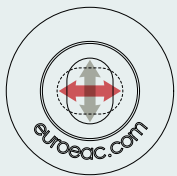
- **NEW** increased range of glass sizes from 3/8"-7/8", suitable for commercial and residential projects.
- **Locking System** secures standoff in adjusted position, preventing misalignment once cap is assembled or disassembled.
- **3D Adjustability** allows +/-3° tilt of glass railings, while the slot hole provides vertical and horizontal adjustment allowing for more fastening options.
- Duplex 2205 ultra marine grade stainless steel, solid material.
- Designed by EAC and fully engineered for the National Building Code of Canada.
- Cap and Threaded Rod come as one cast piece for superior strength.
- Patent pending in Canada and U.S.

Scan to visit our Tilt-Lock™ Standoffs page



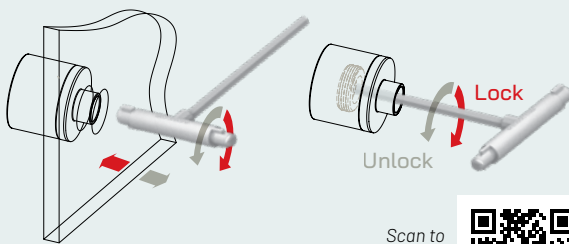
## Adjustable Standoff Tool (SSJT1)

This Tool is designed by EAC to facilitate adjustments of our Adjustable Glass Standoffs. The 2 rounded ends are for adjusting 1 1/2" and 2" diameters respectively. The Allen key is used to lock and secure the standoffs in place.



## 3D Adjustability

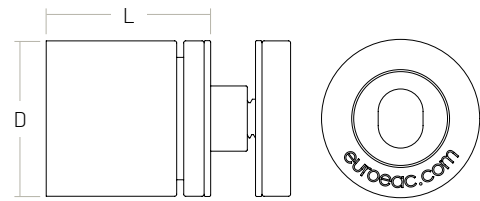
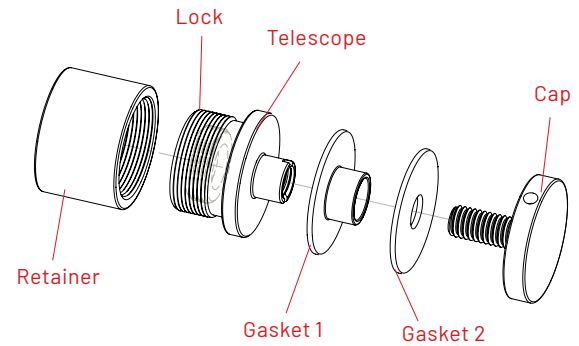
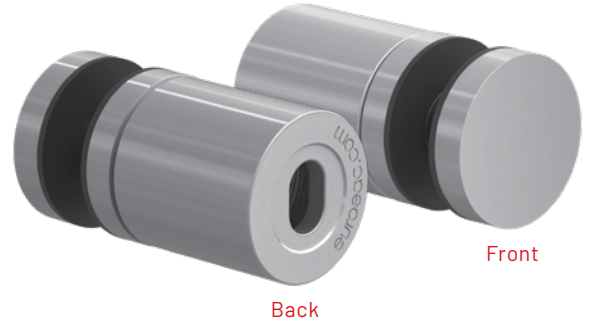
1. Adjust horizontally side to side.
2. Adjust vertically up and down.
3. Adjust forward or backward to allow a +/-3° adjustment, then lock into place.



Scan to view our installation video



## Round Standoff



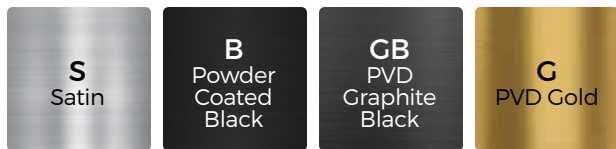
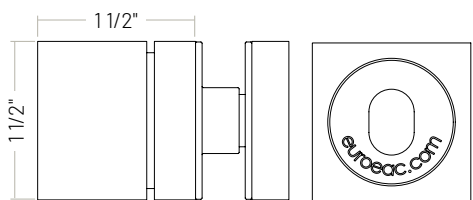
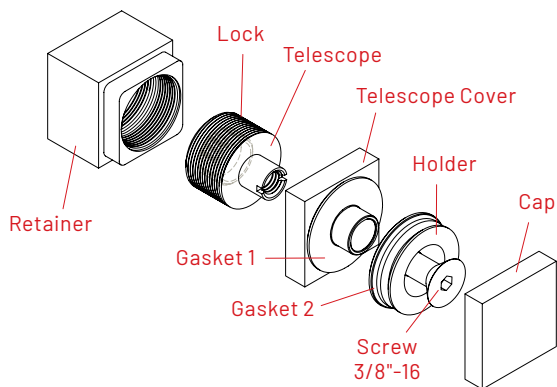
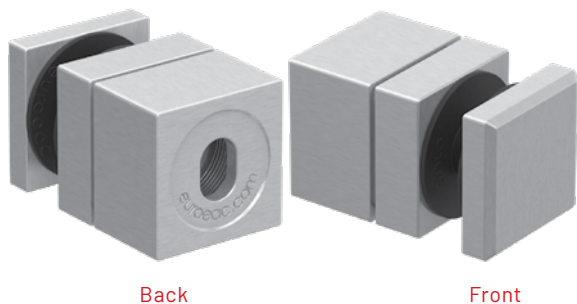
### 1 1/2" Diameter (D)

PART #	L (Length)	Maximum Length	Glass Size	Glass Hole Size	Recommended Fastener	Available Finish
SSJ112114	1 1/4"	1 1/2"	3/8"-5/8"	3/4"	M10 (3/8")	S
SSJ112112	1 1/2"	1 3/4"	3/8"-5/8"	3/4"	M10 (3/8")	S/B/GB/MB/G
SSJ1122	2"	2 3/8"	3/8"-5/8"	3/4"	M10 (3/8")	S/B/GB/MB

### 2" Diameter (D)

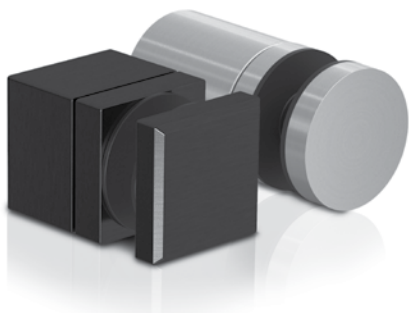
PART #	L (Length)	Maximum Length	Glass Size	Glass Hole Size	Recommended Fastener	Available Finish
SSJ2112	1 1/2"	1 3/4"	1/2"-3/4"	1"	M12 (1/2")	S/B/GB/G
SSJ22	2"	2 3/8"	1/2"-7/8"	1"	M12 (1/2")	S/B/GB

## Square Standoff



### 1 1/2" Square

PART #	L (Length)	Maximum Length	Glass Size	Glass Hole Size	Recommended Fastener	Available Finish
SSJQ112	1 1/2"	1 3/4"	3/8"-5/8"	3/4"	M10 (3/8")	S/B/GB/G



## Application & Fasteners

### CONCRETE APPLICATION

Threaded rods with epoxy or wedge anchors are two options to install standoffs on concrete.

#### 1 1/2" Dia. Standoffs: Option A: Threaded rod with epoxy

- SSKF381 - SS threaded rod 3/8" x 5"
- SSNUT3816 - SS nut 3/8"-16
- PWS38VP - SS flat washer 3/8"
- FR5-10MX - FLO-ROK® epoxy (Fills 39 holes 7/16" x 4 1/2")

#### 1 1/2" Dia. Standoffs: Option B: Wedge anchor

- ISS38334 - SS wedge anchor 3/8" x 3 3/4"

#### 2" Dia. Standoffs: Option A: Threaded rod with epoxy

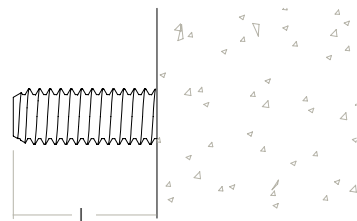
- SSKF121 - SS threaded rods 1/2" x 5"
- SSNUT1213 - SS nut 1/2"-13
- PWS12CT - SS flat washer 1/2"
- FR5-10MX - FLO-ROK® epoxy (Fills 28 holes 9/16" x 4 1/2")

#### 2" Dia. Standoffs: Option B: Wedge anchors

- ISS12334 - SS wedge anchor 1/2" x 3 3/4"
- ISS12412 - SS wedge anchor 1/2" x 4 1/2"

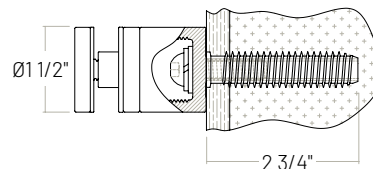
NOTE: Make sure length of threaded rods or wedge anchors protruding from the surface matches size "L" shown in chart below:

PART #	L
SSJ112114	9/16"
SSJ112112	5/8"
SSJ1122	3/4"
SSJQ112	3/4"
SSJ2112	3/4"
SSJ22	3/4"



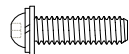
### WOOD APPLICATION

When installed, our wood fasteners transfer the load to the wood structure without compressing the surface material such as drywall or siding.



1 1/2" Dia. Standoffs: Standoffs are secured to wood insert by the 3/8" machine screws below:

For SSJ112114

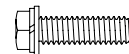


Use SSFLPK1  
SS screw 3/8" x 2"

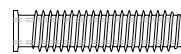


SSKFW38234  
SS wood insert

For SSJ112112

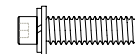


Use SSFLPK2  
SS screw 3/8" x 2"



SSKFW38234  
SS wood insert

For SSJ1122 or SSJQ112

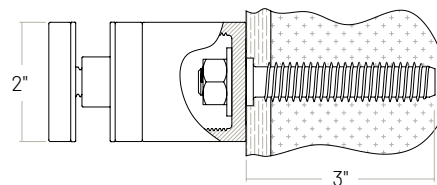


Use SSFLPK3  
SS screw 3/8" x 2"

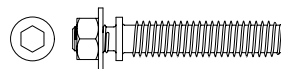


SSKFW38234  
SS wood insert

2" Dia. Standoffs: SS hanger bolt sets are used to secure the standoffs.



For SSJ2112 or SSJ22



Use SSJHB124SS SS hanger bolt set

Pilot hole for wood insert and hanger bolt set: Soft wood: 1/2" • Hard wood: 3/764"



# TYLT-LOCK™

Tilt Adjustable Glass Railing Technology  
Adjustable Glass Standoffs  
**LOCKABLE T3 SERIES**



Courtesy of Trueline Moulding Group



Courtesy of Viterie BV



Courtesy of Bloor Railings