

SELECT PRO WELD IN LATCH DEADLOCK

SPECIFICATION SHEET

- Stainless steel latchbolt which springs 13mm into the gate post and then moves 30mm when the key is turned to deadlock.
- Latchbolt is adjustable in length for precise fitting on site. Easy to rotate for Left handed and Right handed gates.
- Handles ordered separately.
- Supplied with bolt guide plate and gate post strike plate.



PRODUCT DETAILS

Product code:	Description:
SWLD1630	For 30mm wide gate frames
SWLD1640	For 40mm wide gate frames
SWLD1650	For 50mm wide gate frames
SWLD1660	For 60mm wide gate frames

Style of handle:	Description:
AH	Black lever handle set

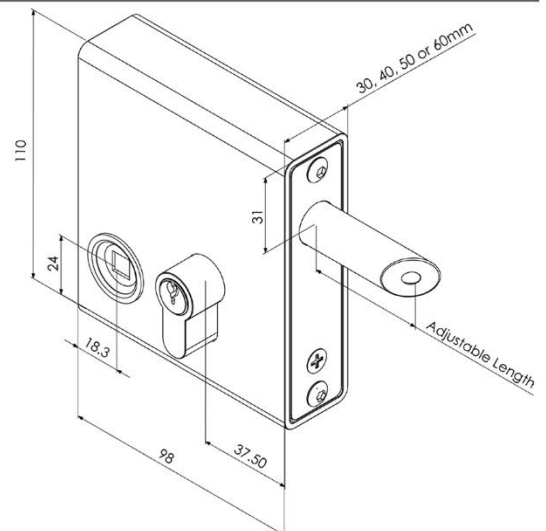


Bolts: Adjustable, latchbolt springs 13mm and deadbolt moves 30mm.

Perfect for both left and right handed gates.

INSTALLATION

1. Weld the lockcase to the gate and galvanise or paint as part of the gate.
2. Fit the lock and eurocylinder into the lockcase and secure with screws.
3. Weld the strike plate to the gate post and bend to provide a ramp for the latch to ride up.
4. **MAINTENANCE** Every two months, lubricate the latchbolt with light oil. Annually, dismantle lock and spray the mechanism inside with light oil.



euro ARCHITECTURAL COMPONENTS

VISIT OUR WEBSITE FOR MORE INFORMATION.
CONTACT US FOR INQUIRIES.