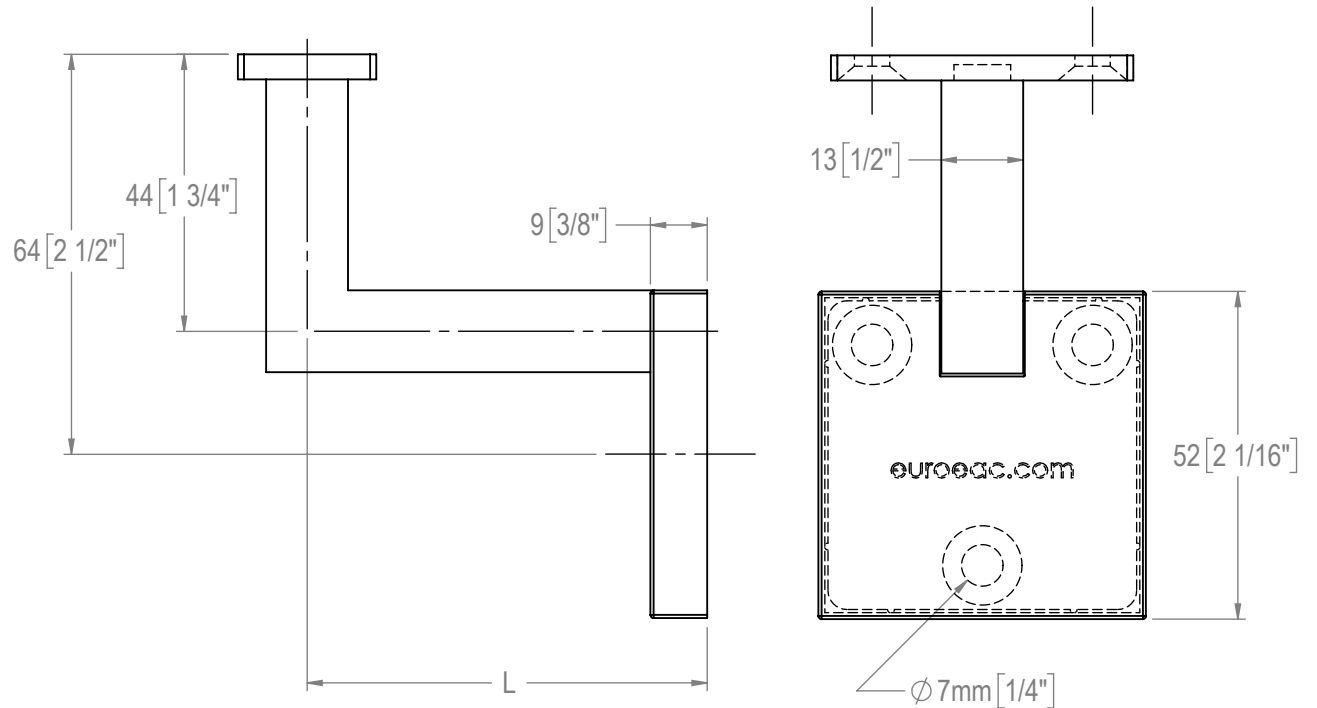


**Back plate with 3 holes concealed
by snap-fit plate cover.
"Design Patent Pending"**



PRODUCT CODE	LENGTH (L)	MATERIAL	FINISHES
SSZH21216	64 [2 1/2"]	SS316	Satin (S) Graphite Black (GB)
SSZH31216	89 [3 1/2"]		
PBRRC212SQ	64 [2 1/2"]	Zinc	Bare (-) Black (B) Textured Black (TB)
PBRRC312SQ	89 [3 1/2"]		

PROPRIETARY AND CONFIDENTIAL
THE INFORMATION CONTAINED IN THIS DRAWING IS THE SOLE PROPERTY OF EURO ORNAMENTAL FORGINGS. ANY REPRODUCTION IN PART OR AS A WHOLE WITHOUT THE WRITTEN PERMISSION OF EURO ORNAMENTAL FORGINGS IS PROHIBITED.



TITLE:
**FIXED CONCEALED WALL BRACKETS
WITH 3-HOLE PLATE - SQUARE**

DWG NO. SSZH_Covered

SHEET 1 OF 1

REV.: 04