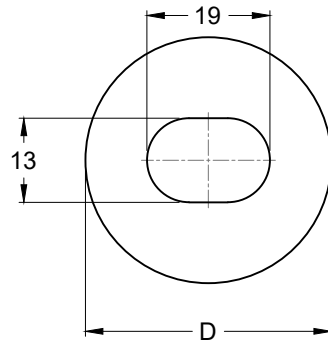
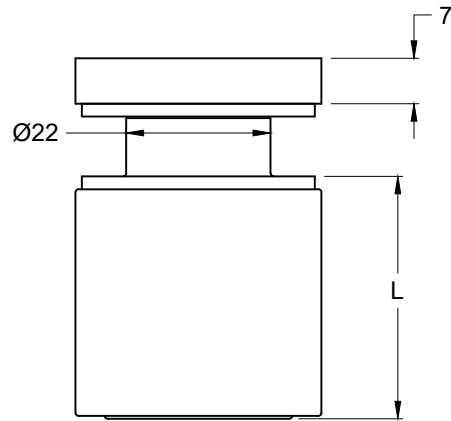


ADJUSTABLE STANDOFFS ROUND

TILT-LOCK™ MULTI-DIRECTIONAL (2205)



Dimensions



Back View

Product Code	D	L (Min)
SSAS38X35	38mm	35mm
SSAS38X45	38mm	45mm

Note: There is possibility to adjust the length of the standoffs "L" by (a maximum of) 8mm.