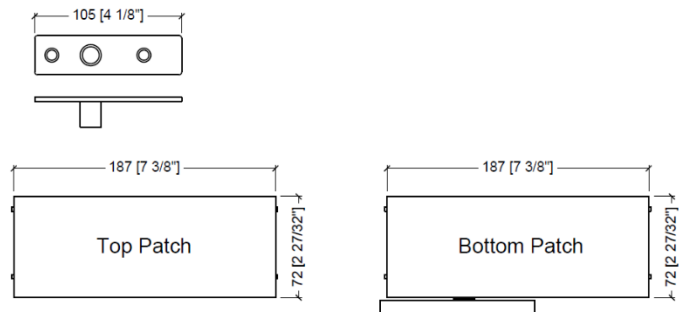
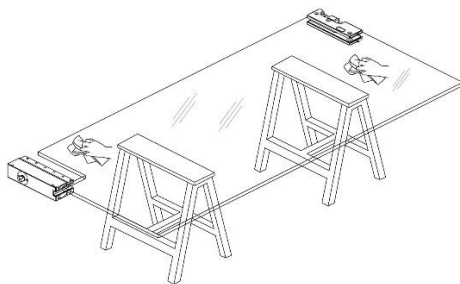
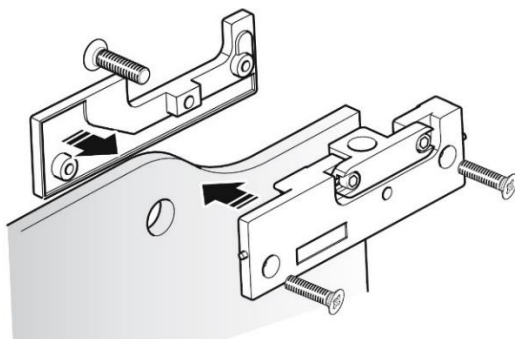


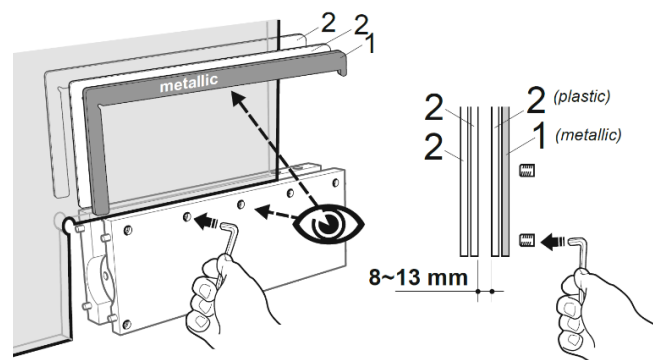
1- Assemble the Patches on the Door



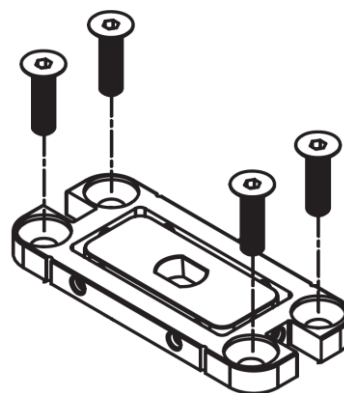
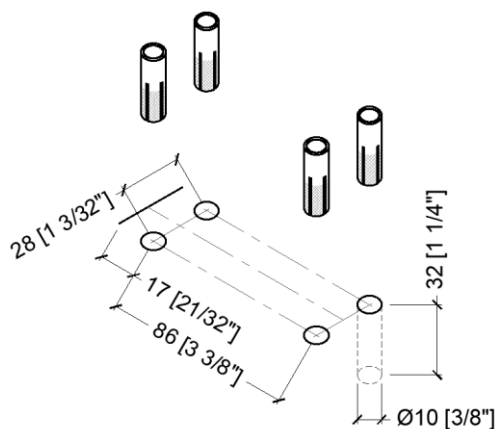
a) Top Patch Assembly



b) Bottom Patch Assembly



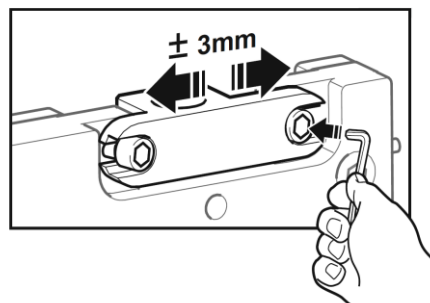
2- Installing the Base Plate



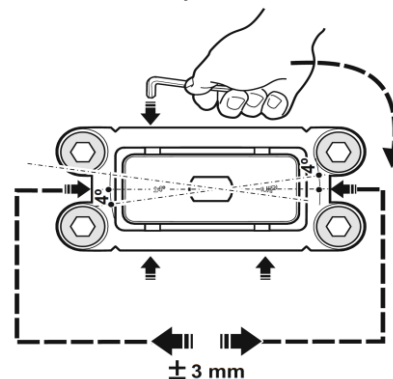
3- Door Installation and Adjustments



a) Top Patch Adjustment



b) Bottom Patch Adjustment



4- Installing the Claddings

