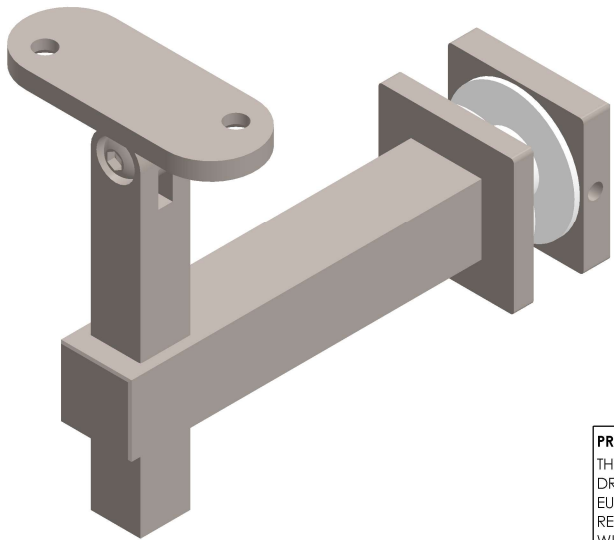
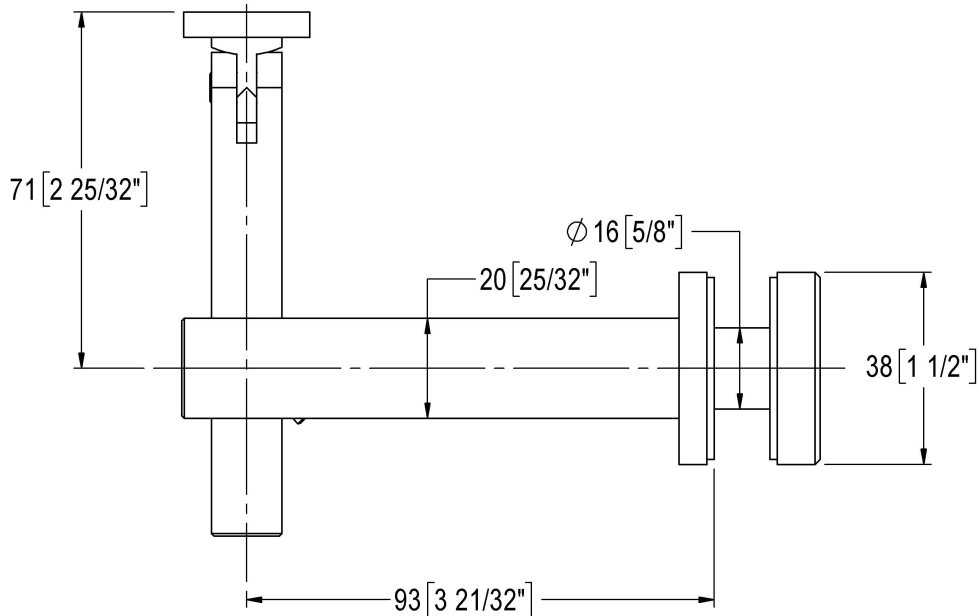
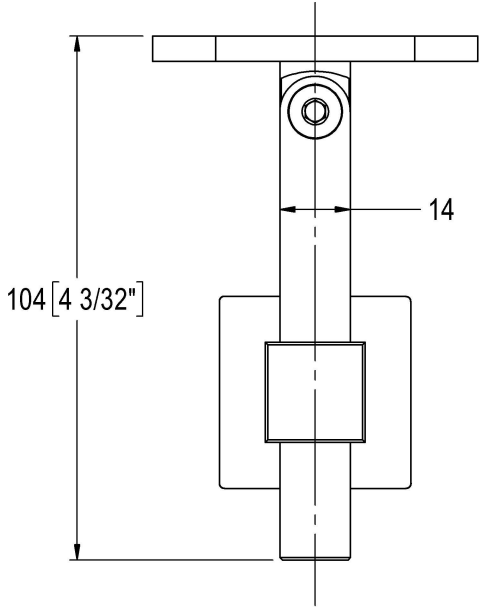


Recommended hole size  
for the glass  $\varnothing 19$  [3/4"]



**PROPRIETARY AND CONFIDENTIAL**  
THE INFORMATION CONTAINED IN THIS DRAWING IS THE SOLE PROPERTY OF EURO ORNAMENTAL FORGINGS. ANY REPRODUCTION IN PART OR AS A WHOLE WITHOUT THE WRITTEN PERMISSION OF EURO ORNAMENTAL FORGINGS IS PROHIBITED.



TITLE: 3 1/2" ADJUSTABLE SQUARE OFF-THE-GLASS BRACKET WITH SQUARE BACK  
# SSZH40216

DWG NO.

REV.: 01