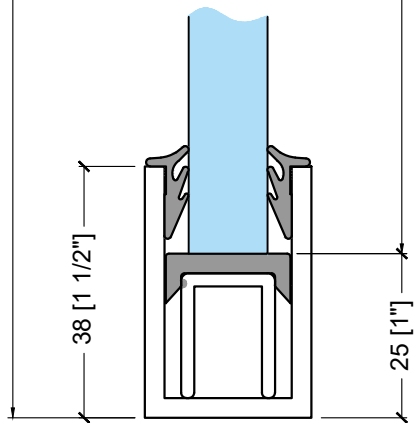
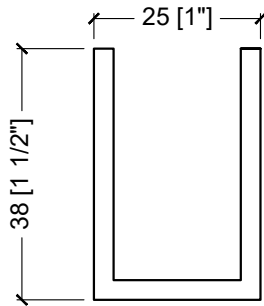


FINISHED
HEIGHT

GLASS
HEIGHT



$$\text{GLASS HEIGHT} = (\text{FINISHED HEIGHT}) - (51 [2\"])$$



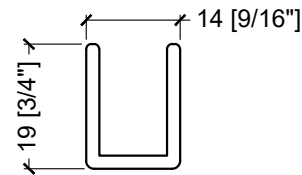
SSGWCH112



SSGWCHSEAL1
For 10 [3/8\"] glass



SSGWCHSEAL2
For 12 [1/2\"] glass



SSSFCH101



SSGWCHSEAL3