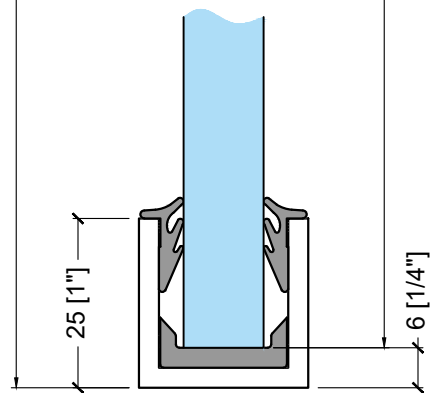
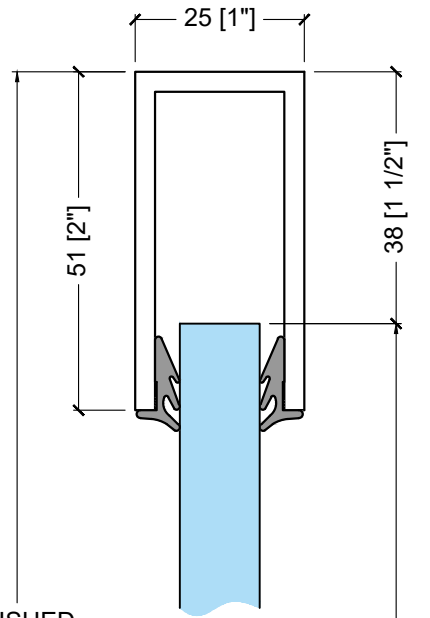


FINISHED
HEIGHT

GLASS
HEIGHT

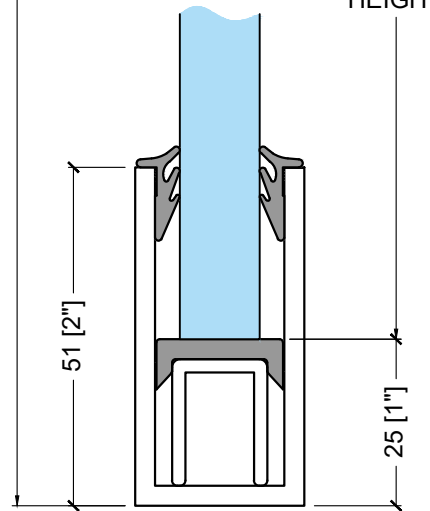


$$\text{GLASS HEIGHT} = (\text{FINISHED HEIGHT}) - (44 [1 \frac{3}{4}"])$$

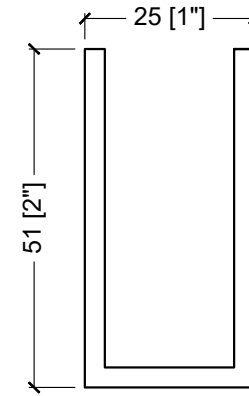


FINISHED
HEIGHT

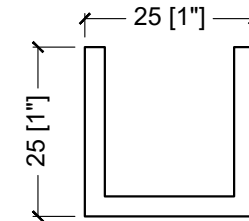
GLASS
HEIGHT



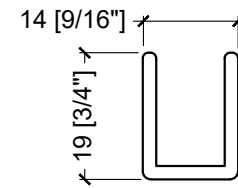
$$\text{GLASS HEIGHT} = (\text{FINISHED HEIGHT}) - (63 [2 \frac{1}{2}"])$$



SSGWCH12



SSGWCH11



SSSFCH101



SSGWCHSEAL1

For 10 [3/8"] glass



SSGWCHSEAL2

For 12 [1/2"] glass



SSGWCHSEAL3