

SELECT PRO BOLT ON DEADLOCK

SPECIFICATION SHEET

- Stainless steel deadbolt which moves 30mm with one turn of the key.
- Deadbolt is adjustable on length for precise fitting on site.
- Very easy to fit and comes in two sizes.



PRODUCT DETAILS

Product code:	Description:
SBD1601	To fit flat bar and up to 30mm box section
SBD1602	To fit 40 to 60mm box section

Marine grade: Salt spray tested for 1000 hours.

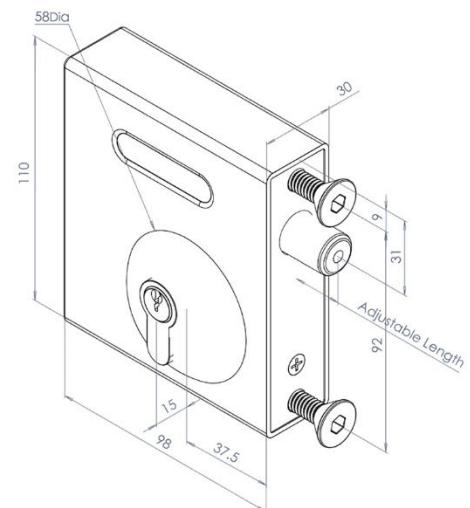
Deadbolt: Adjustable, moves 30mm.

Can be used for both left and right handed gates.



INSTALLATION

1. Drill 2 x 9mm dia. holes at 92mm centres for M8 fixing bolt.
2. Drill 18mm clearance hole for latchbolt at 22mm centres down from the top 9mm hole.
3. Fix lock in place using stainless steel clamp plate, bolt support plate and 2 stainless steel countersunk fixing bolts supplied.
4. Drill clearance hole in gate post to receive deadbolt/latchbolt. Slot this hole vertically to allow for gate sag – fix strike plate and bend back so the latchbolt slides smoothly.
5. Ensure latchbolt moves freely without binding on gate or frame.
6. **MAINTENANCE** Every two months, lubricate the latchbolt with light oil. Annually, dismantle lock and spray the mechanism inside with light oil.



euro ARCHITECTURAL COMPONENTS

VISIT OUR WEBSITE FOR MORE INFORMATION.
CONTACT US FOR INQUIRIES.

