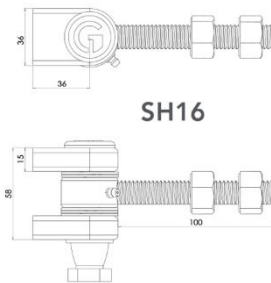
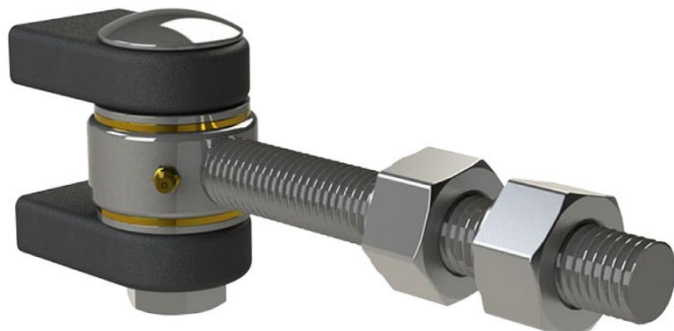


- One pair of the M16 superhinges is suitable for gates up to 150kg and the M30 version can take gates up to 900kg
- Tested to 500'000 openings with no wear - this is equivalent of 50 years at an average of 25 openings a day!
- Low friction, which makes it ideal for use with automatic gates.

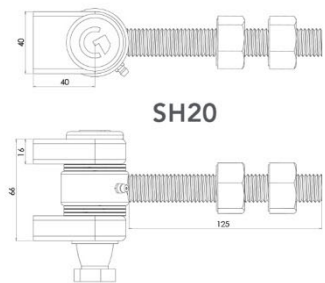
PRODUCT DETAILS

Product code:	Description:
SH16	M16 x 100mm
SH20	M20 x 125mm
SH25	M24 x 150mm
SH30	M30 x 200mm

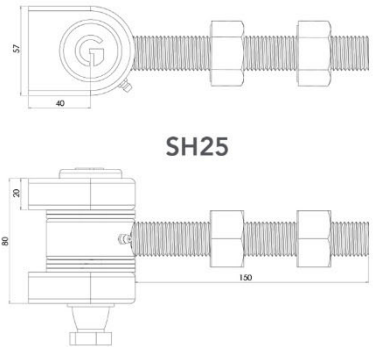
Up to 150kg gates - SH16 in pair (2 hinges)
 Up to 300kg gates - SH20 in pair (2 hinges)
 Up to 450kg gates - SH25 in pair (2 hinges)
 Up to 900kg gates - SH30 in pair (2 hinges)



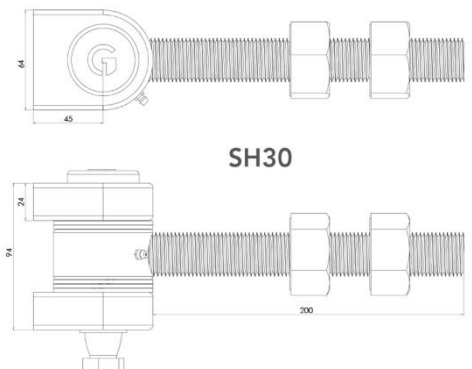
SH16



SH20



SH25



SH30

INSTALLATION

1. Disassemble the two self colour lugs from the hinge and weld in position to the gate post.
2. Drill a hole through the gate frame to suit the thread size.
3. Once the gate has been galvanised or painted, assemble the hinge and use the 2 nuts to adjust the position of the gate.
4. **MAINTENANCE** Lubricate during fitting and once every 6 months to ensure maximum product life.



VISIT OUR WEBSITE FOR MORE INFORMATION.
 CONTACT US FOR INQUIRIES.

