

- Robust – Strongly constructed and available in electro-galvanised steel with the option of a stainless steel bolt.
- Easy to fit – Needs just two 15mm holes in the gate and fixed with the expanding fasteners provided.
- Adaptable – Fits left and right hand gates
- Innovative and secure – Once the dropbolt is lowered and rotated, closing the second gate prevents the dropbolt being unlocked.



PRODUCT DETAILS

Product code: | Description:

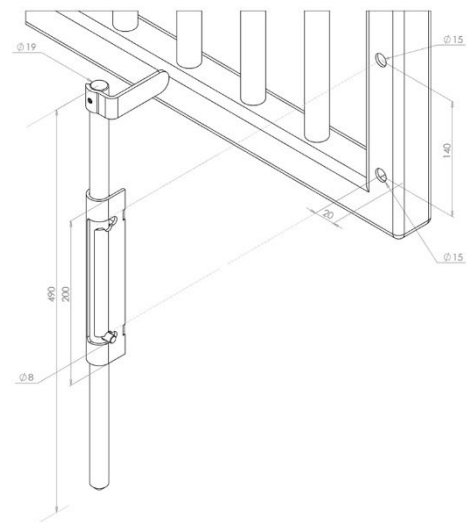
LDB | Locking dropbolt, electrogalvanised + powdercoated steel

Dropbolt diameter 19mm
Dropbolt movement 140mm



INSTALLATION

1. Drill 2x 15mm holes, 20mm from the leading edge of the gate at 140mm centres, and fix the dropbolt guide to the gate with the 2 expanding fasteners supplied.
2. Fit the small location pin into the most suitable of the 3 location holes with the smaller screw provided.
3. Slide the dropbolt into the dropbolt guide, with the location pin facing into the back corner and then twist into position.
4. Fix the lift plate to the dropbolt in the correct position with the screw provided.



MAINTENANCE

Lubricate sliding parts when needed.

euro ARCHITECTURAL COMPONENTS

VISIT OUR WEBSITE FOR MORE INFORMATION.
CONTACT US FOR INQUIRIES.

