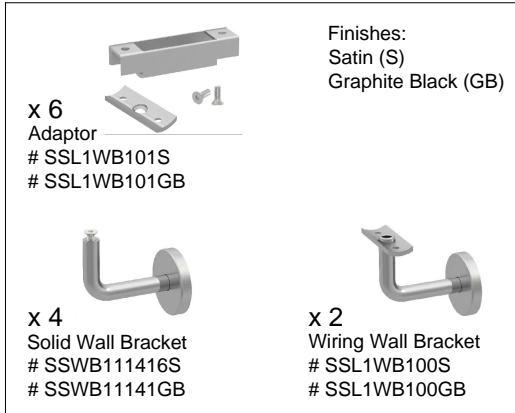
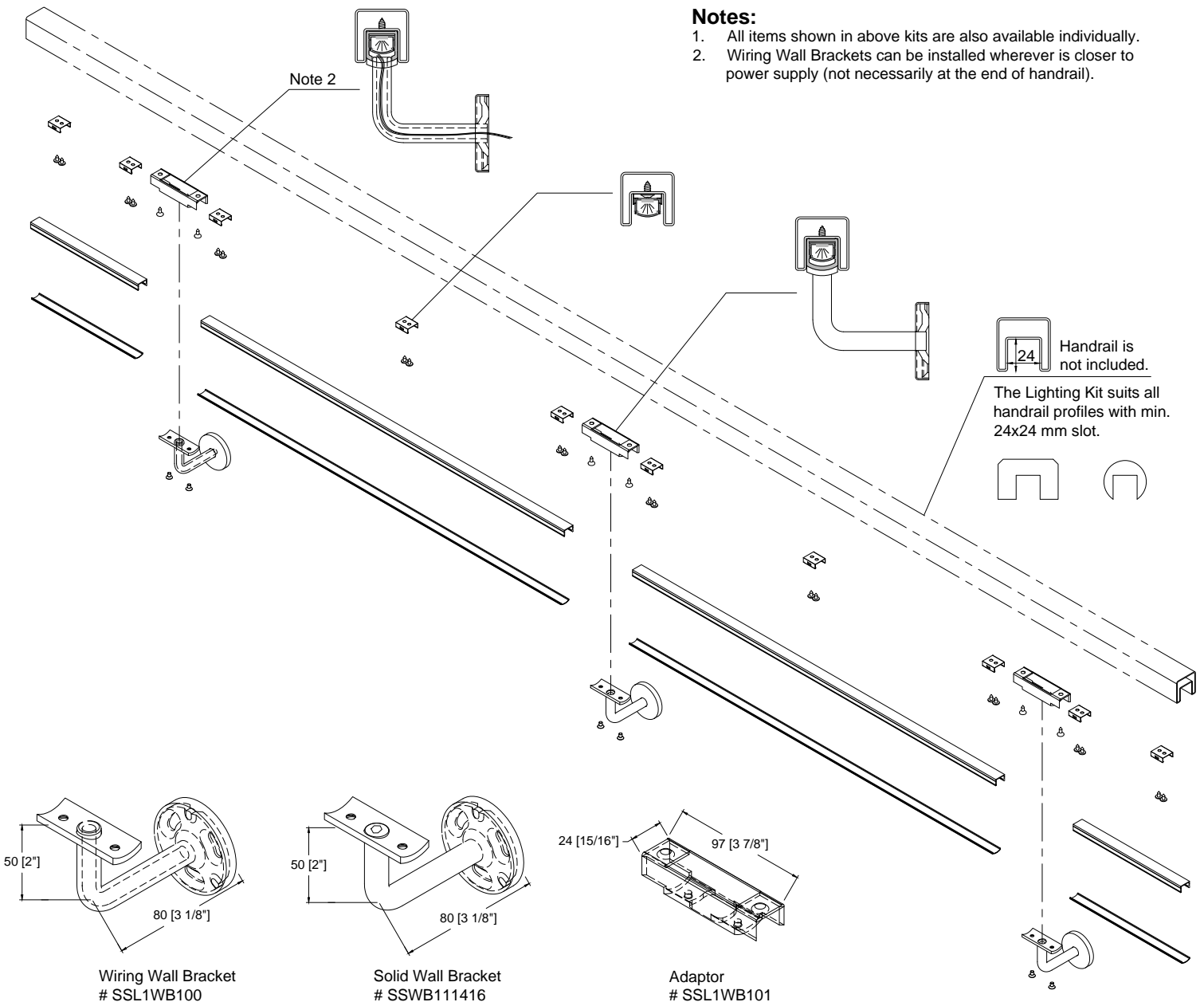


**Hardware Kit**  
# SSL1KITS  
# SSL1KITGB



**Electrical Kit**  
# SSL2KITELEC  
Supplies 4877 mm [16 ft.] of lighting.

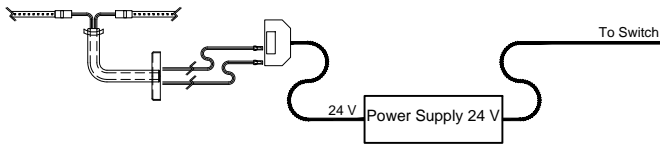


# INSTRUCTIONS

## Handrail Lighting System

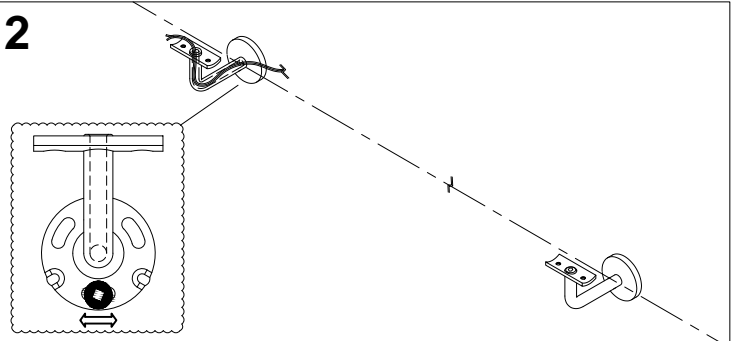
Includes all hardware for total length of 4877 mm [16 ft.]

**1**



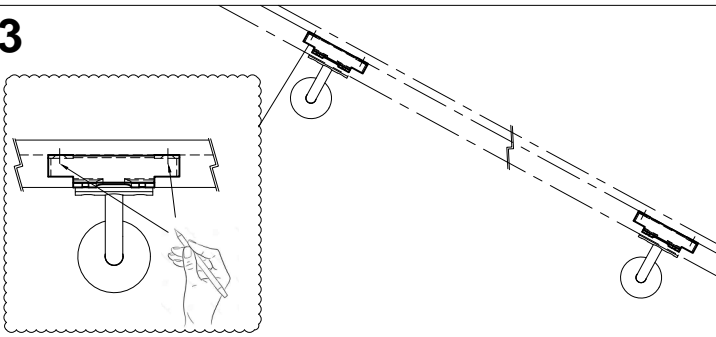
Follow instructions provided with LED Strip, LED Cable Connector Kit, and Power Supply to lay out wiring from electrical switch to the point where Wiring Wall Bracket is installed.

**2**



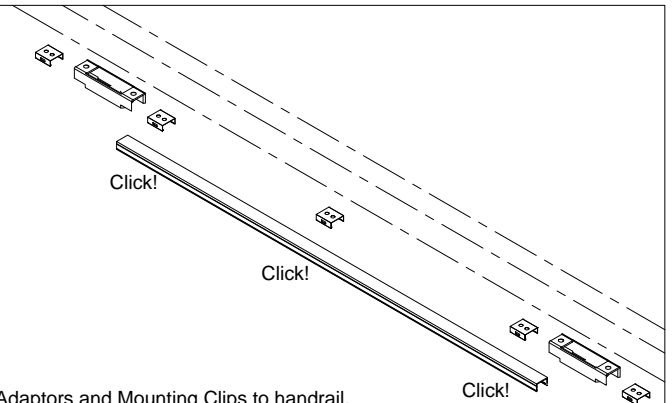
Pass LED Cable through Wiring Wall Bracket(s). Install all Wall Brackets using only one screw at the bottom to allow adjustment at final stage.

**3**



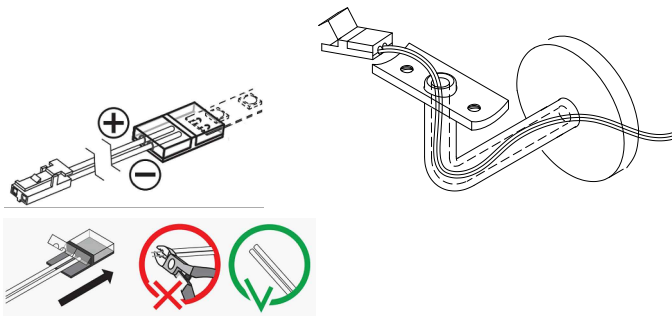
Put Adaptors and handrail on the Wall Brackets to position Adaptors and mark holes on handrail to connect Adaptors.

**4**



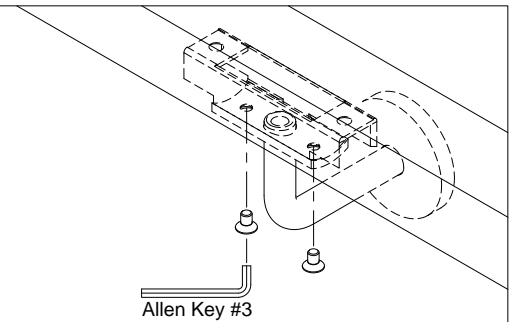
Attach Adaptors and Mounting Clips to handrail. Then, install the LED Enclosure channel.

**5**



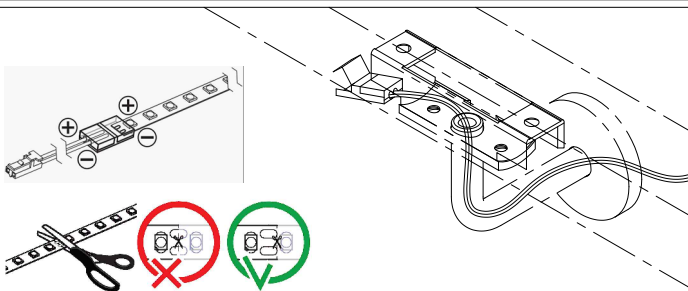
Attach LED Clips to the LED Cable (white cable) coming through the Wiring Wall Bracket.

**6**



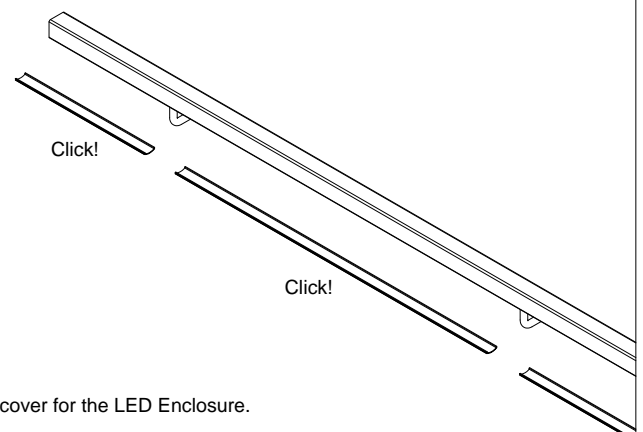
Install handrail on Wall Brackets and tighten the screws on the handrail attachment plates connecting to Adaptors and then fully secure Wall Brackets.

**7**



Follow instructions provided with LED Strip and LED Cable Connector Kit to attach the LED Clips. Stick the LED Strip into the LED Enclosure channel using adhesive tape attached to back of the LED Strip.

**8**



Attach the cover for the LED Enclosure.