

TILT-LOCK™ ADJUSTABLE SQUARE STANDOFF

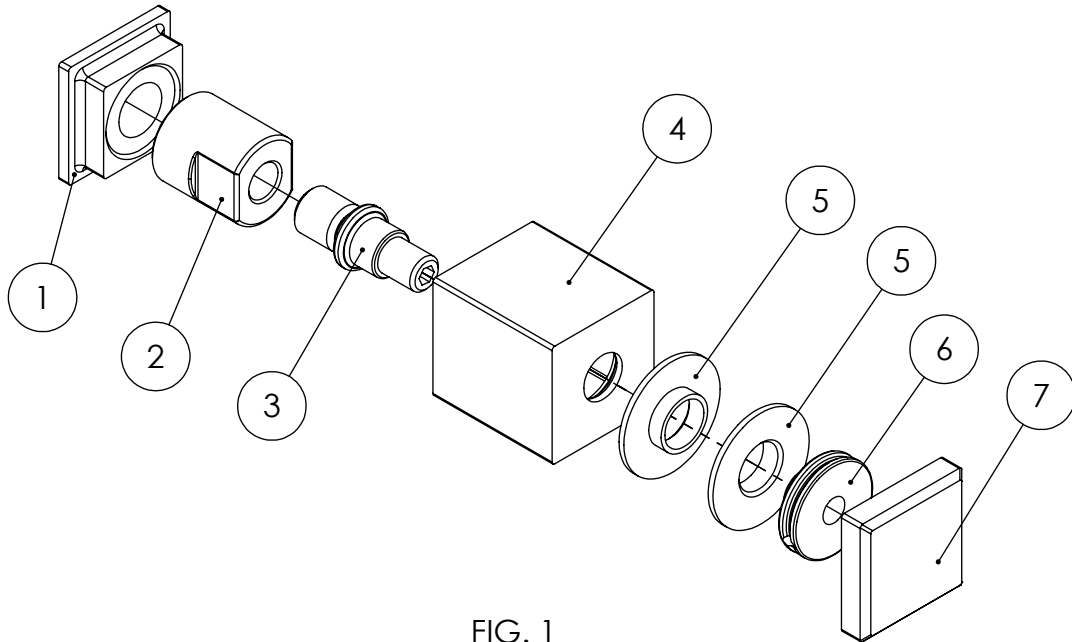


FIG. 1

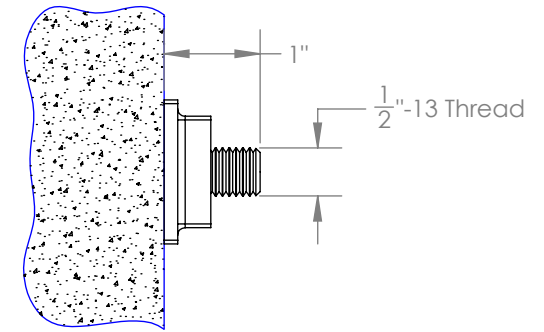


FIG. 2

NOTES:

- All parts shown in FIG. 1 included in the box.
- 1/2"-13 thread with max. of 1" length is needed for installation. The fastener could be hanger bolt for wood, and wedge anchors or equivalent for concrete.
- Refer to FIG. 1, insert Part 2 in Part 1, then secure them by using a spanner.
- Insert Part 3 and tighten it only by hand.
- Place Part 4 over Part 3 along with one piece of Part 5.
- Put the glass in place, and install other piece of Part 5, followed by Part 6 to secure the glass.
- Tighten Part 6 by using a wrench, then put Part 7 over Part 6 and secure it by tightening the small set screw underneath with an Allen key.
- To adjust the vertical angle of the glass, remove Parts 7, 6, and 5, then use the Allen key to turn Part 3. By tightening or loosening Part 3, the distance between glass and wall decreases or increases respectively. When turning Part 3, ensure that the gap between Parts 1 and 2 is less than 1/4" (6 mm) as shown in FIG. 3 Detail B.

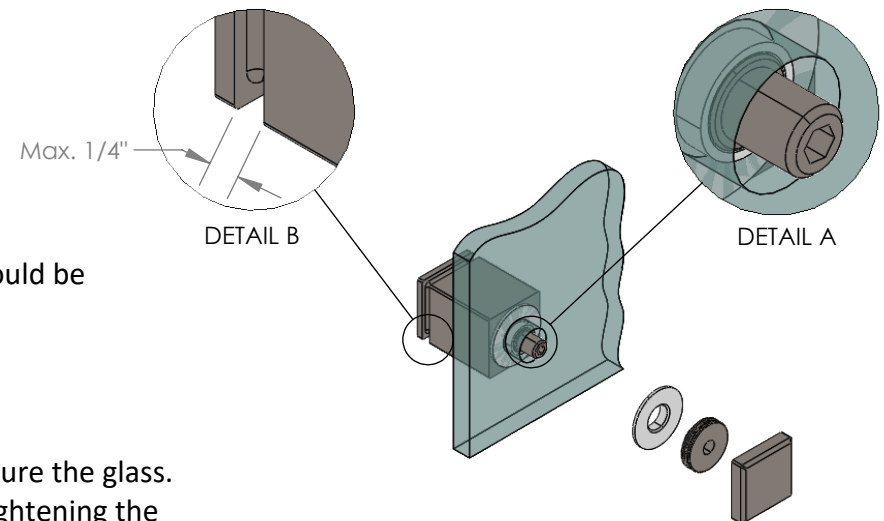


FIG. 3

PROPRIETARY AND CONFIDENTIAL
 THE INFORMATION CONTAINED IN THIS DRAWING IS THE SOLE PROPERTY OF EURO ORNAMENTAL FORGINGS. ANY REPRODUCTION IN PART OR AS A WHOLE WITHOUT THE WRITTEN PERMISSION OF EURO ORNAMENTAL FORGINGS IS PROHIBITED.



TITLE:
INSTALLATION INSTRUCTIONS
TILT-LOCK™ ADJUSTABLE SQUARE STANDOFF

DWG NO. SSASSQR_INS_V02

SHEET 1 OF 1

REV.: 02