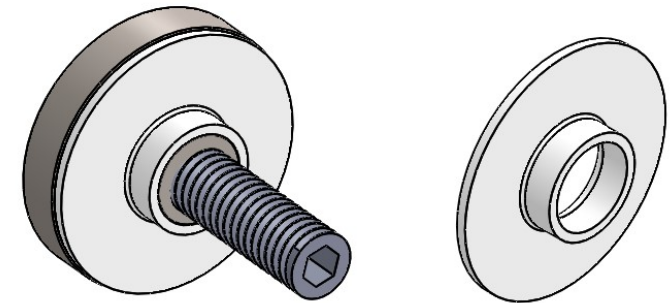


T (Min.): 10 [3/8]

SPACERS

Part #	D mm [in]	L mm [in]	Threads	Hole Size on Glass [in]	T (Max.) mm [in]
SSK114126I	32 [1 1/4]	12.7 [1/2]	5/16-18	5/8	16 [5/8]
SSK112126I	38.1 [1 1/2]	12.7 [1/2]	3/8-16	3/4	19 [3/4]
SSK11216I	38.1 [1 1/2]	25.4 [1]	3/8-16		
SSK1121146I	38.1 [1 1/2]	31.7 [1 1/4]	3/8-16		
SSK1121126I	38.1 [1 1/2]	38.1 [1 1/2]	3/8-16		
SSK1121346I	38.1 [1 1/2]	44.4 [1 3/4]	3/8-16		
SSK11226I	38.1 [1 1/2]	50.8 [2]	3/8-16		
SSK2126I	50.8 [2]	12.7 [1/2]	3/8-16		
SSK2346I	50.8 [2]	19 [3/4]	3/8-16		
SSK216I	50.8 [2]	25.4 [1]	3/8-16		
SSK21146I	50.8 [2]	31.7 [1 1/4]	3/8-16		
SSK21126I	50.8 [2]	38.1 [1 1/2]	3/8-16		
SSK21346I	50.8 [2]	44.4 [1 3/4]	3/8-16		
SSK226I	50.8 [2]	50.8 [2]	3/8-16		



CAPS (Includes gaskets and set screw)

Part #	D mm [in]	Threads
SSKCAP1146I	32 [1 1/4]	5/16-18
SSKCAP1126I	38.1 [1 1/2]	3/8-16
SSKCAP26I	50.8 [2]	3/8-16

Material: SS 316

PROPRIETARY AND CONFIDENTIAL
 THE INFORMATION CONTAINED IN THIS
 DRAWING IS THE SOLE PROPERTY OF
 EURO ORNAMENTAL FORGINGS. ANY
 REPRODUCTION IN PART OR AS A WHOLE
 WITHOUT THE WRITTEN PERMISSION OF
 EURO ORNAMENTAL FORGINGS IS
 PROHIBITED.



TITLE:
 IMPERIAL STANDOFFS

DWG NO. Standoffs_V3.2

REV.: 3