

Installation Instructions

Stainless Steel Claddings

Suitable for all top mount base shoes (M3, M4, and M5)

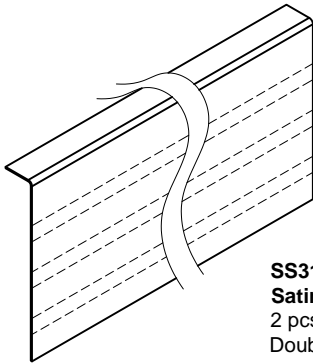


#SSSM3CLADS for 10 ft.
#SSSM3CLADS1 for 20 ft.

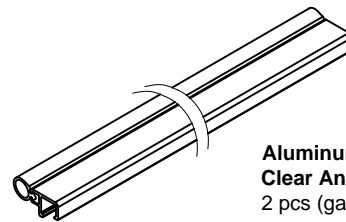
The kit includes the following components:

Notes:

For SSSM3SHOE, use gaskets already included.
For SSSM4SHOE and SSSM5SHOE, use gaskets that come with the conversion kits.

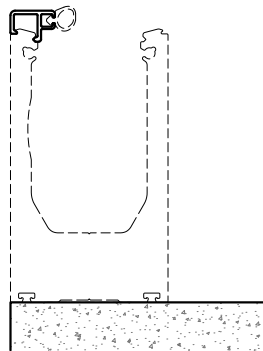


SS316 Cladding
Satin
2 pcs
Double-sided tape attached inside.



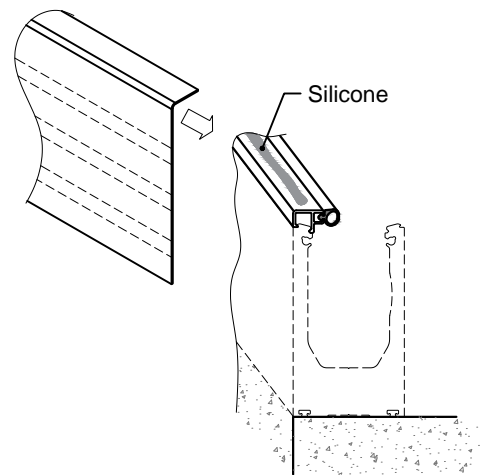
Aluminum Short Cladding
Clear Anodized
2 pcs (gasket attached)

1



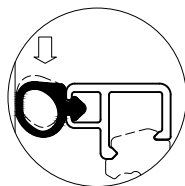
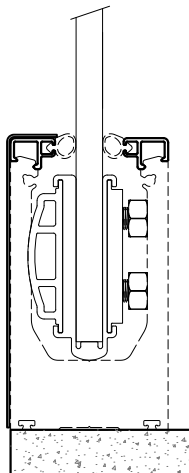
Install one of the Aluminum short claddings with appropriate gasket (see **Notes** above) on the outside edge of the base shoe.

2



Add silicone on the top side of Aluminum cladding and install one of the SS claddings.

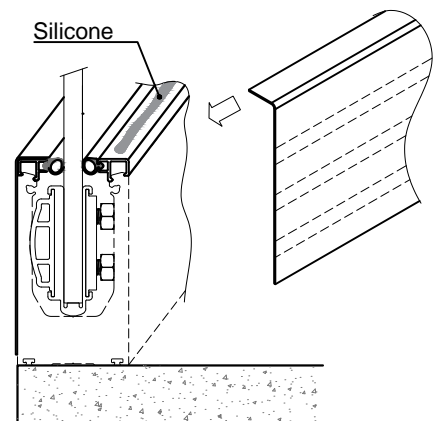
3



After installing glass, push the gaskets down to be flush with Aluminium cladding.

Install the glass and place the other Aluminum short cladding with appropriate gasket on the inside edge of the base shoe.

4



Apply silicone (same as Step 2) and install the second SS cladding.