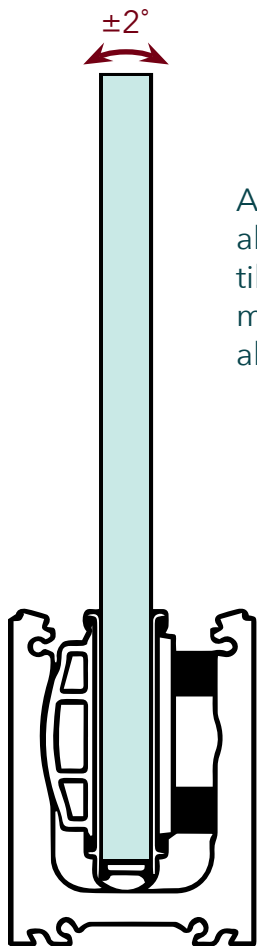


BASE SHOE

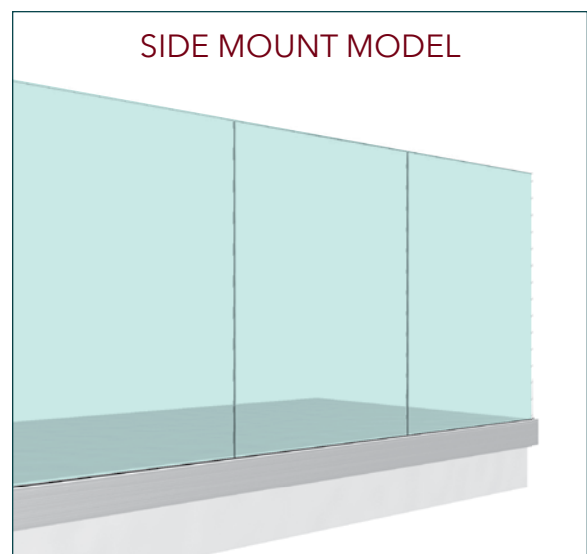
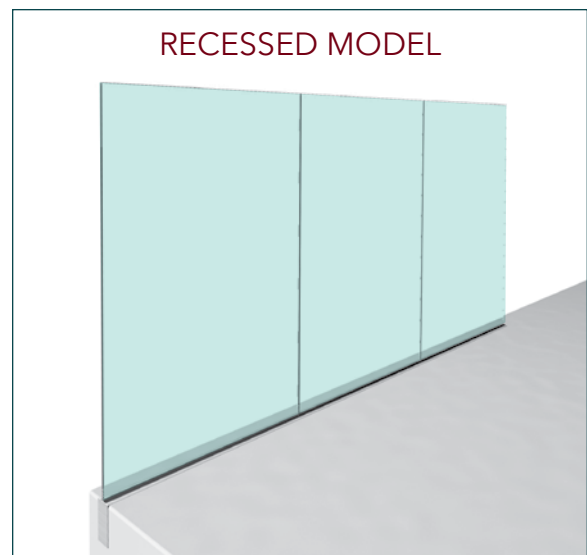
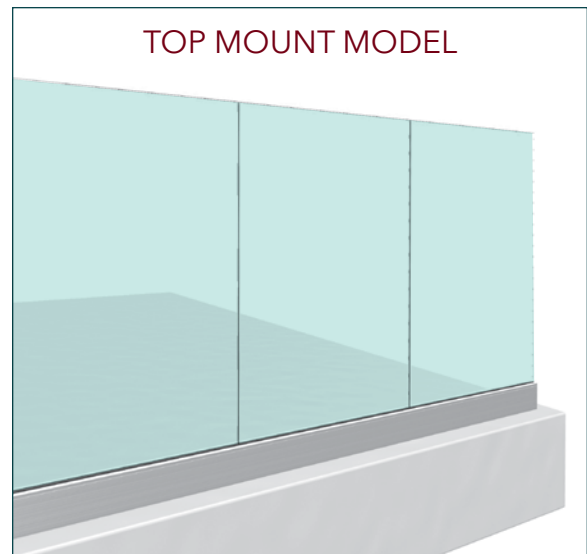




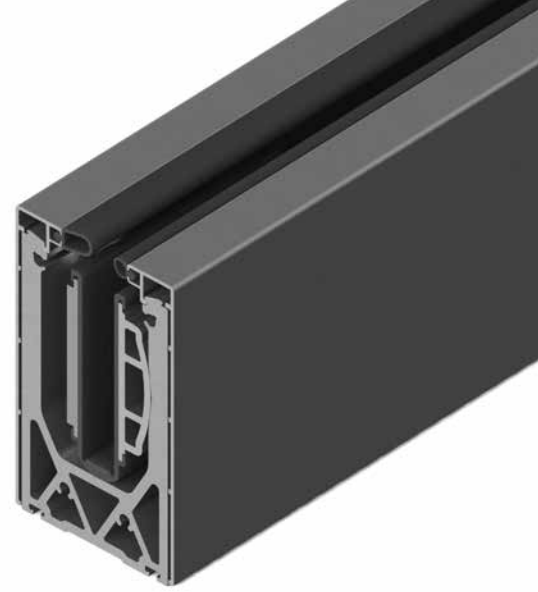
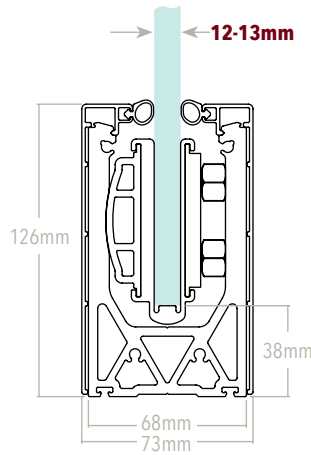
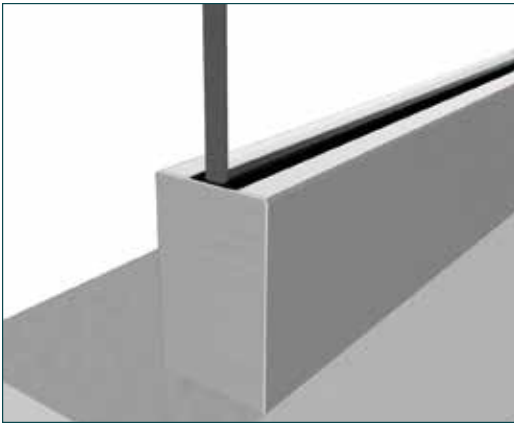
A simple process that allows you to easily tilt the glass in the mounts to the correct alignment.

PRODUCT FEATURES

- Top Mount and Side Mount Models.
- Available in complete kits with your choice of Brushed Anodized Aluminum Cladding or Stainless Steel 316L Cladding.
- Suitable for **12mm** glass up to **25.52mm** glass.
- Allows for glass to be tilted 2° backward or forward.
- All adjustments can be achieved from one side.
- Faster and easier installation.
- Perfect alignment every time.
- Ready-to-install with pre-drilled holes; stabilizing washers included.
- All concealed components.
- **Fully engineered for the National Building Code of Canada.**
- All base shoe railing systems have been tested up to 3 kN.
- **Patented rotating pressure plate system.**
- **Canadian Patent Application No. 2,962,407.**
- **U.S. Patent Application No. 15/024,903.**
- **New Zealand Patent No. 700501.**
- **European, UK, Australian, Chinese Patents Pending.**



TOP MOUNT MODEL (available in complete kits with your choice of cladding)
ALUMINUM CLADDING



PRODUCT FEATURES

- Suitable for **12-13mm** glass.
- Glass height 38mm above ground level.
- **Shoe:** Alkaline anodized aluminum 6063 T6 with top mount fabrication.
- **Full Cover Cladding:** Brushed anodized aluminum 6463 T5 with attached gaskets.
- **End Caps:** Brushed anodized aluminum to match shoe.
- **Glass Spacers:** For space between glass panels; cut to size.

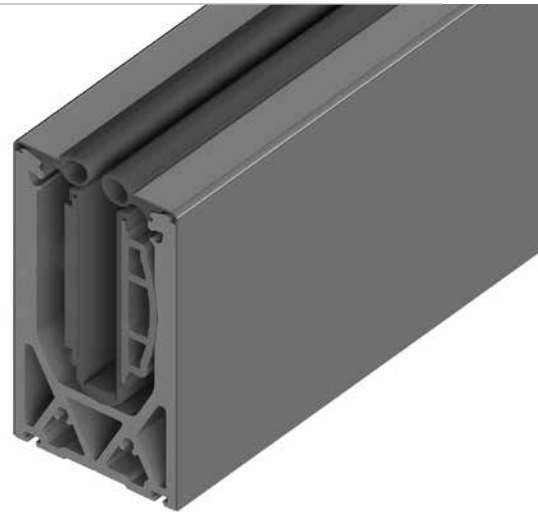
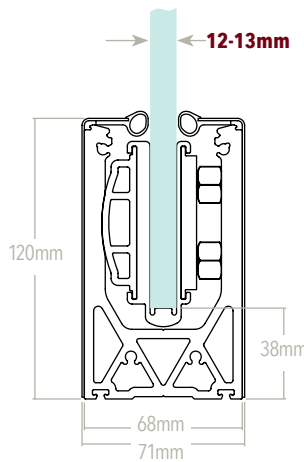
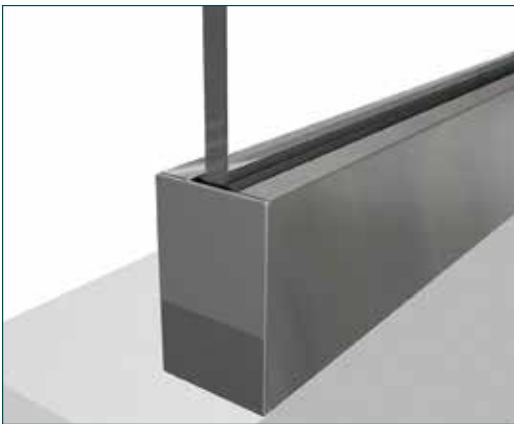
PART #	SHOE LENGTH (ft)	CLADDING (pcs)	GLASS GRIPS (pcs)	END CAPS (pcs)	JOINING PINS (pcs)	GLASS SPACERS (pcs)	STABILIZING WASHERS (pcs)
SSSM3SHOE10A	10	2 x 10 ft	6	2	4	1 x 4"	10
SSSM3SHOE20A	20	2 x 20 ft	12	2	8	1 x 8"	20



RECESSED APPLICATIONS

For recessed applications, we offer Top Cover Cladding in 10 ft. lengths (SSSM3TCC10A), which can be purchased separately to be used with one of the above kits.

STAINLESS STEEL CLADDING



PRODUCT FEATURES

- Suitable for **12-13mm** glass.
- Glass height 38mm above ground level.
- **Shoe:** Alkaline anodized aluminum 6063 T6 with top mount fabrication.
- **Full Cover Cladding:** Stainless steel 316L satin finish with attached gaskets.
- **End Caps:** Stainless steel 316L satin finish to match shoe.
- **Glass Spacers:** For space between glass panels; cut to size.

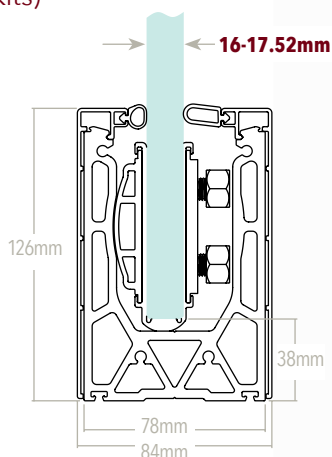
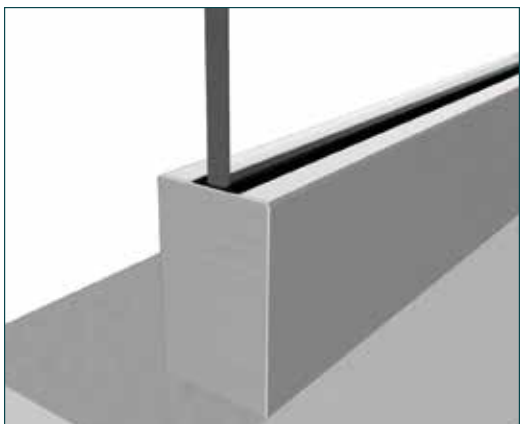
PART #	SHOE LENGTH (ft)	CLADDING (pcs)	GLASS GRIPS (pcs)	END CAPS (pcs)	JOINING PINS (pcs)	GLASS SPACERS (pcs)	STABILIZING WASHERS (pcs)
SSSM3SHOE10S	10	2 x 10 ft	6	2	4	1 x 4"	10
SSSM3SHOE20S	20	2 x 20 ft	12	2	8	1 x 8"	20

NOTE: For installation instructions, engineering, and drawings, please refer to our website.



INSTALLATION VIDEO

ALUMINUM CLADDING (available in complete kits)



PRODUCT FEATURES

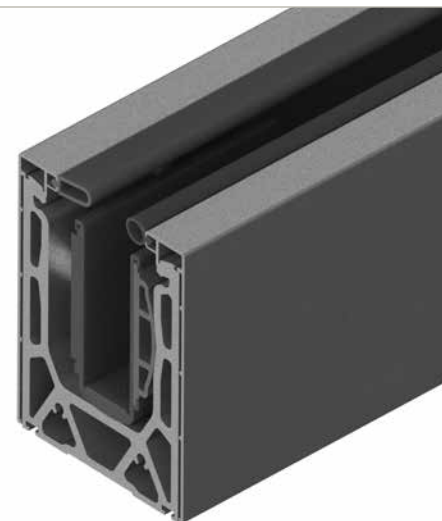
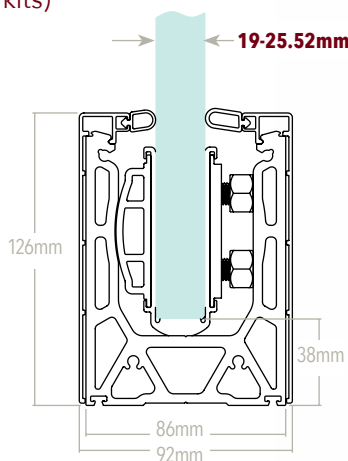
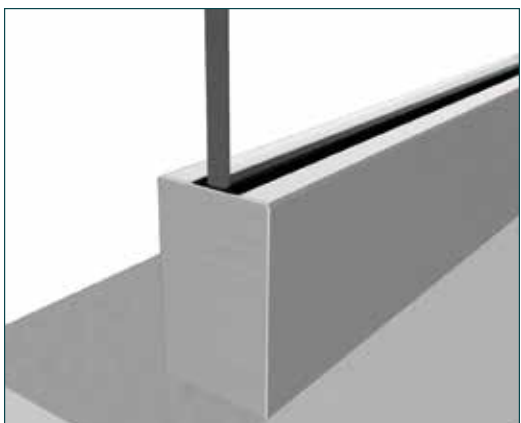
- Suitable for **16-17.52mm** glass (5/8" or 2 x 8mm + laminate).
- Glass height 38mm above ground level.
- **Shoe:** Alkaline anodized aluminum 6063 T6 with top mount fabrication.
- **Full Cover Cladding:** Brushed anodized aluminum 6463 T5 with attached gaskets.
- **End Caps:** Brushed anodized aluminum to match shoe.
- **Glass Spacers:** For space between glass panels; cut to size.

PART #	SHOE LENGTH (ft)	CLADDING (pcs)	GLASS GRIPS (pcs)	END CAPS (pcs)	JOINING PINS (pcs)	GLASS SPACERS (pcs)	STABILIZING WASHERS (pcs)
SSSM4SHOE10A	10	2 x 10 ft	6	2	4	1 x 4"	10

ACCESSORIES

PART #	DESCRIPTION
SSSM4ENDCAP1	Stair end cap - anodized aluminum
SSSM4GRIPS	Glass grips for base shoe (pkg. of 2 pcs.)

ALUMINUM CLADDING (available in complete kits)



PRODUCT FEATURES

- Suitable for **19-25.52mm** glass (3/4" or 2 x 10mm + laminate).
- Glass height 38mm above ground level.
- **Shoe:** Alkaline anodized aluminum 6063 T6 with top mount fabrication.
- **Full Cover Cladding:** Brushed anodized aluminum 6463 T5 with attached gaskets.
- **End Caps:** Brushed anodized aluminum to match shoe.
- **Glass Spacers:** For space between glass panels; cut to size.

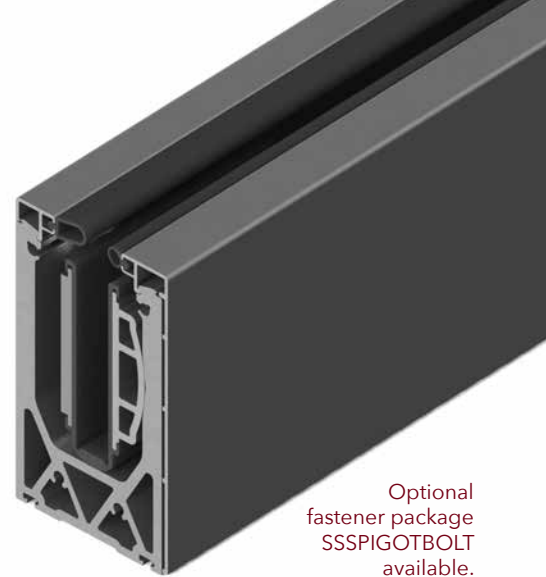
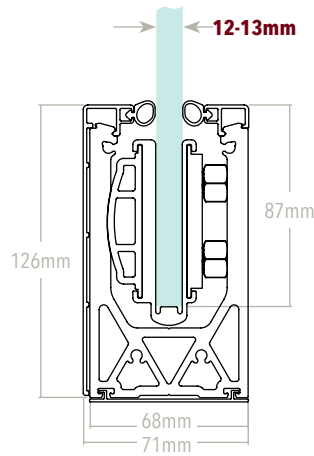
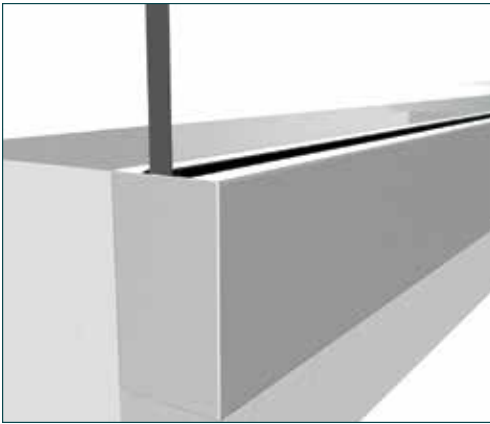
PART #	SHOE LENGTH (ft)	CLADDING (pcs)	GLASS GRIPS (pcs)	END CAPS (pcs)	JOINING PINS (pcs)	GLASS SPACERS (pcs)	STABILIZING WASHERS (pcs)
SSSM5SHOE10A	10	2 x 10 ft	6	2	4	1 x 4"	10

ACCESSORIES

PART #	DESCRIPTION
SSSM5ENDCAP1	Stair end cap - anodized aluminum
SSSM5GRIPS	Glass grips for base shoe (pkg. of 2 pcs.)

Stainless Steel Cladding or 20 ft. kits available as SPECIAL ORDER ONLY. Contact us to inquire.

SIDE MOUNT MODEL (available in complete kits)
ALUMINUM CLADDING



Optional
 fastener package
 SSSPIGOTBOLT
 available.
 (See page 109.)

PRODUCT FEATURES

- Suitable for **12-13mm** glass.
- Glass height 38mm above ground level.
- **Shoe:** Alkaline anodized aluminum 6063 T6 with side mount fabrication.
- **Full Cover Cladding:** Brushed anodized aluminum 6463 T5 with attached gasket.
- **End Caps:** Brushed anodized aluminum to match shoe.
- **Glass Spacers:** For space between glass panels; cut to size.

PART #	SHOE LENGTH (ft)	CLADDING (pcs)	GLASS GRIPS (pcs)	END CAPS (pcs)	JOINING PINS (pcs)	GLASS SPACERS (pcs)	STABILIZING WASHERS (pcs)
SSSM3SIDE10A	10	1 x 10 ft*	6	2	4	1 x 4"	10

*REFERS TO FULL COVER CLADDING; TOP & BOTTOM COVER CLADDING INCLUDED.

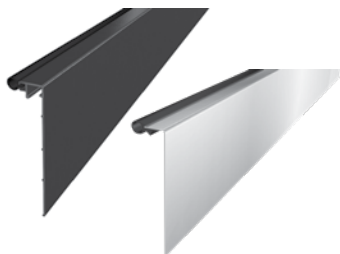


INSTALLATION
 VIDEO



ACCESSORIES CLADDING

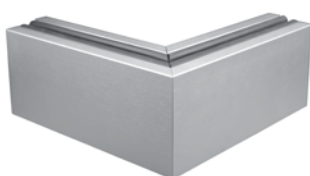
- Sold individually.
- Used with our SSSM3 series base shoe.



PART #	DESCRIPTION	INCLUDED	LENGTH (ft)	APPLICATION
SSSM3CLADB	Black anodized aluminum cladding	Gasket	10	Top Mount
SSSM3CLADM	Stainless steel mirror finish cladding	Gasket	10	Top Mount

CORNER CLADDING KITS

- 1 ft. kits for 90° applications.
- Cladding comes in a set of 4 pcs. - 2 for outside and 2 for inside.



PART #	DESCRIPTION	APPLICATION	USE WITH
SSSM3CCKITA	Aluminum corner cladding kit	Top Mount	SSSM3SHOE10A SSSM3SHOE20A
SSSM3CCKITS	Stainless steel corner cladding kit	Top Mount	SSSM3SHOE10S SSSM3SHOE20S

END CAPS

- Stair end caps can be used for the top and bottom of stairs with the base shoe.
- Stair end caps need to be cut to fit application.



PART #	DESCRIPTION	APPLICATION	USE WITH
SSSM3ENDCAP1	Stair end cap - anodized aluminum	Top Mount	SSSM3SHOE10A SSSM3SHOE20A
SSSM3ENDCAP2	Stair end cap - stainless steel satin finish	Top Mount	SSSM3SHOE10S SSSM3SHOE20S
SSSM3ENDCAP3	Stair end cap - anodized aluminum	Side Mount	SSSM3SIDE10A
SSSM3ENDCAP4	End cap - black anodized aluminum	Top Mount	SSSM3CLADB
SSSM3ENDCAP5	Stair end cap - black anodized aluminum	Top Mount	SSSM3CLADB
SSSM3ENDCAP6	End cap - stainless steel mirror finish	Top Mount	SSSM3CLADM
SSSM3ENDCAP7	Stair end cap - stainless steel mirror finish	Top Mount	SSSM3CLADM

GLASS GRIPS

- Sold in pkg. of 2 pcs.



PART #	DESCRIPTION	APPLICATION	USE WITH
SSSM3GRIPS	Glass grips for base shoe	Top Mount	SSSM3SHOE10A SSSM3SHOE20A SSSM3SHOE10S SSSM3SHOE20S
		Side Mount	SSSM3SIDE10A



DUPLEX 2205 ULTRA MARINE GRADE STAINLESS STEEL
SUPERIOR STRENGTH
SUPERIOR CORROSION RESISTANCE

ADJUSTABLE GLASS MOUNTING SYSTEMS

The Tilt-Lock™ Adjustable Glass Mounting Systems are available in 4 models to suit almost every possible mounting requirement for glass 12-17.52mm thick.

The clean architectural lines create a unique facade, providing a very cost-efficient modern solution for structural glass railings.

The no-holes-in-the-glass system allows the glass to be easily adjusted using the pressure on the screws to ensure a perfect installation every time and results in a stronger, more reliable system.

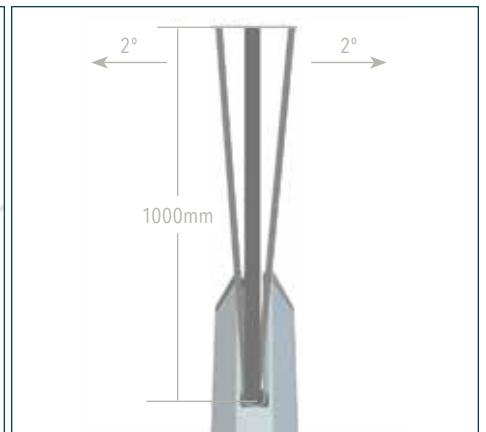
PRODUCT FEATURES

- Top Mount, Side Mount, and Edge Mount Models.
- Duplex 2205 construction in satin finish.
- Suitable for **12-17.52mm** glass.
- Allows for glass to be tilted 2° backward or forward.
- All adjustments can be achieved from one side.
- **Fully engineered for the National Building Code of Canada.**
- All spigot models have been tested up to 3 kN.
- **Canadian Patent Application No. 2,962,407.**
- **U.S. Patent Application No. 15/024,903.**
- **New Zealand Patent No. 700501.**
- **European, UK, Australian, Chinese Patents Pending.**

TIGHTENING

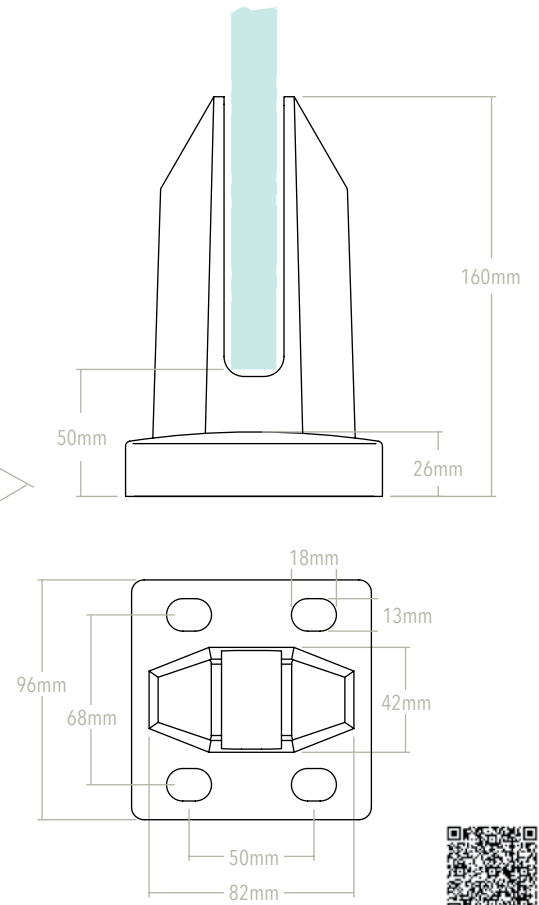
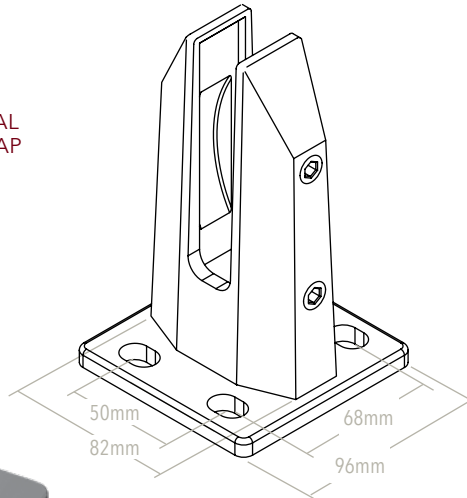
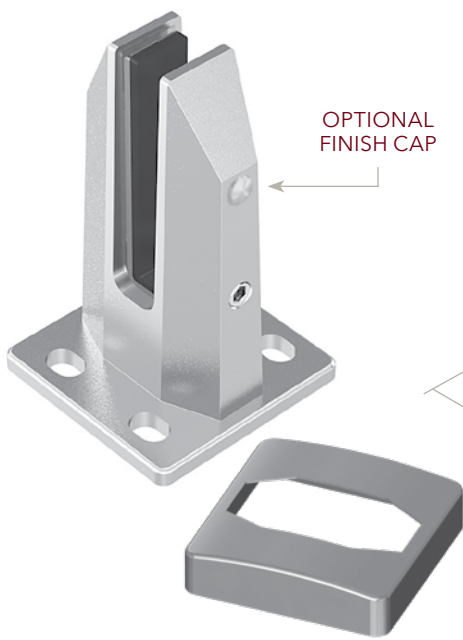


ADJUSTMENT



NOTE: For installation instructions, engineering, and drawings, please refer to our website.

TOP MOUNT SQUARE BASE PLATE MODEL

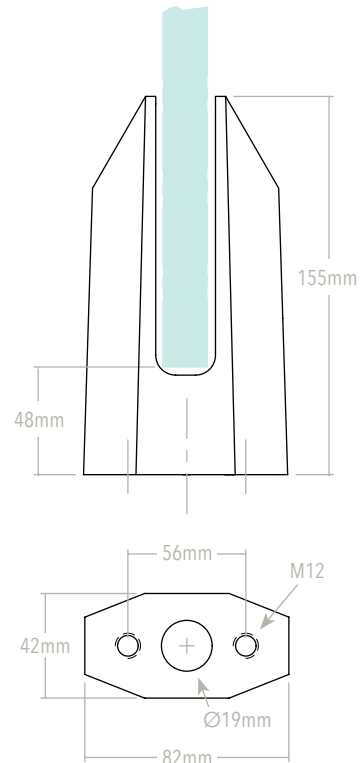
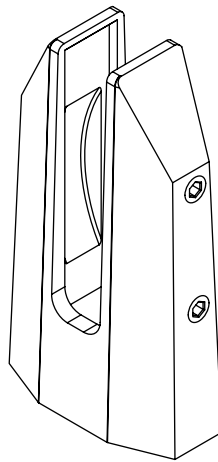


PART #
SSSPIGOTADJ

- Duplex 2205 stainless steel.
- Satin finish.
- Pressure plate model.
- Suitable for **12-17.52mm** glass.
- Slotted base plate holes.
- Cover plate included.
- Optional finish cap package (2 pcs.) SSSPIGOTCAP available.



TOP MOUNT MODEL

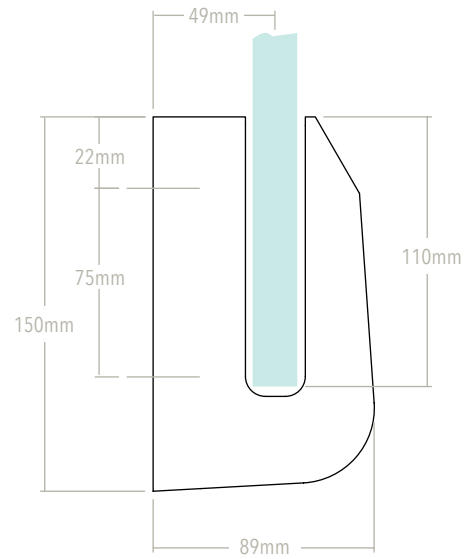
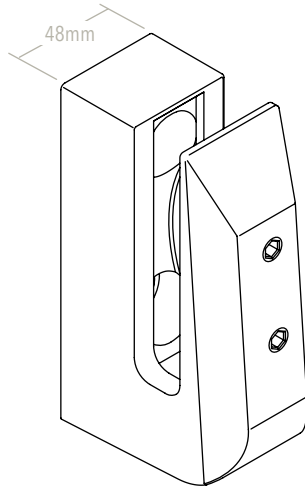


PART #
SSSPIGOTADJN

- Duplex 2205 stainless steel.
- Satin finish.
- Pressure plate model.
- Suitable for **12-17.52mm** glass.
- No cover plate required.
- Optional finish cap package (2 pcs.) SSSPIGOTCAP available.



SIDE MOUNT MODEL

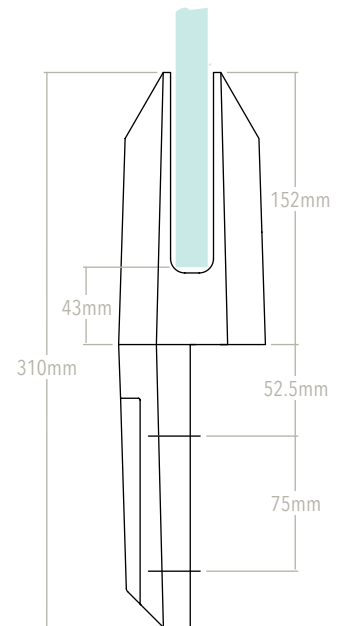
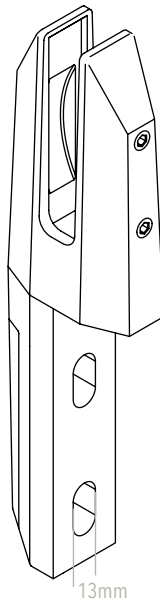


PART #

SSSPIGOTSIDE

- Duplex 2205 stainless steel.
- Satin finish.
- Pressure plate model.
- Suitable for **12-17.52mm** glass.
- For ease of installation, we recommend using our SSSPIGOTSIDT socket tool, which can be purchased separately.
- Optional finish cap package (2 pcs.) SSSPIGOTCAP available.

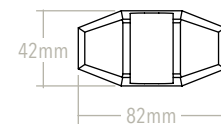
EDGE MOUNT MODEL



PART #

SSSPIGOTEDGE

- Duplex 2205 stainless steel.
- Satin finish.
- Pressure plate model.
- Suitable for **12-17.52mm** glass.
- Optional fastener package SSSPIGOTBOLT available (see page 109).
- Optional finish cap package (2 pcs.) SSSPIGOTCAP available.



ULTRA SLIM 2205 FRAMELESS GLASS CONNECTORS

The slimmer frameless glass panel support system.

SERIES 1: Standard

PRODUCT FEATURES

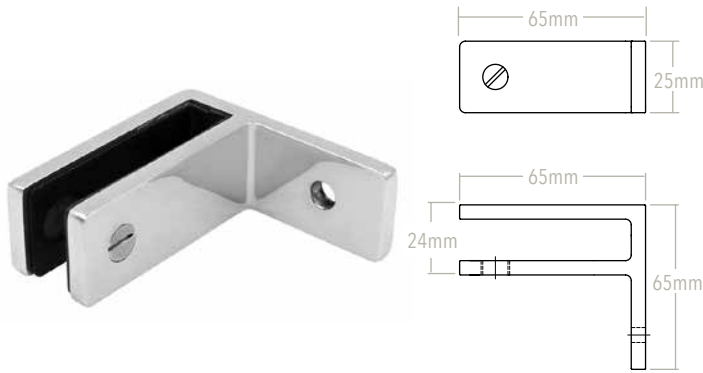
- 4 models suit **10-12mm** glass with gaskets included.
- Single grub screws.
- Available in **Duplex 2205** for more than double the strength and superior corrosion resistance than 316.
- All products are available in **Satin finish**.



ACCOMMODATES 10-12mm GLASS

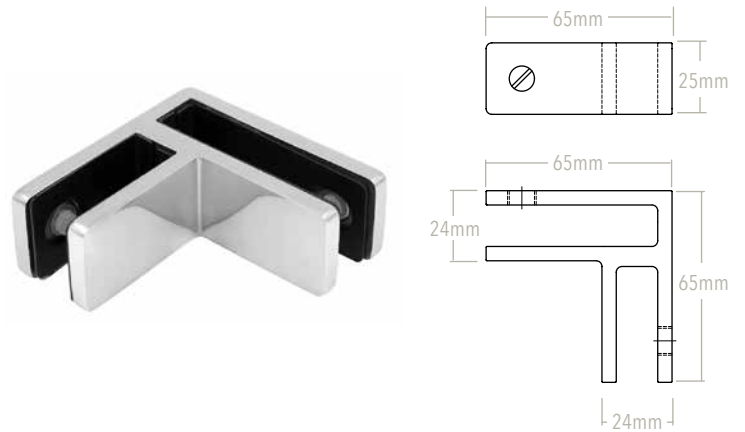
GLASS CONNECTOR FOR GLASS TO WALL

PART #
SSPFEBWALL



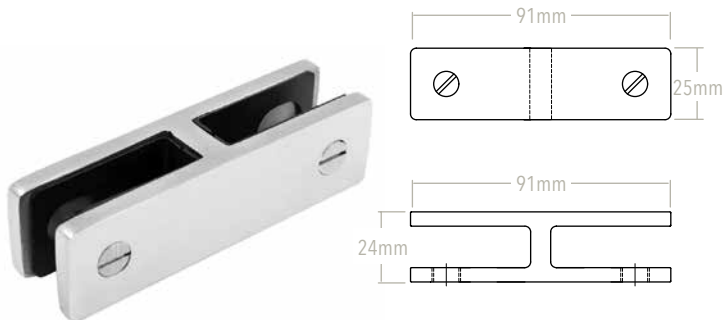
90° GLASS CONNECTOR FOR GLASS TO GLASS

PART #
SSPFEB90



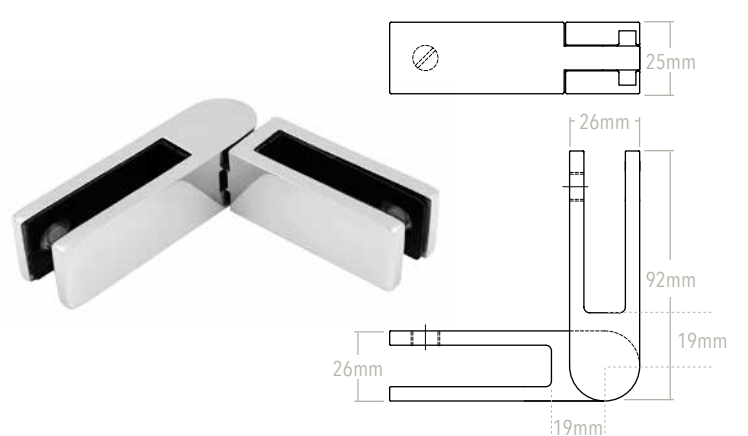
180° GLASS CONNECTOR FOR GLASS TO GLASS

PART #
SSPFEB180



ADJUSTABLE GLASS CONNECTOR FOR GLASS TO GLASS

PART #
SSPFEBADJ



- Adjustment from 90°-180°.
- Slide and rotate.
- No screw assembly.

SERIES 2: Heavy Duty

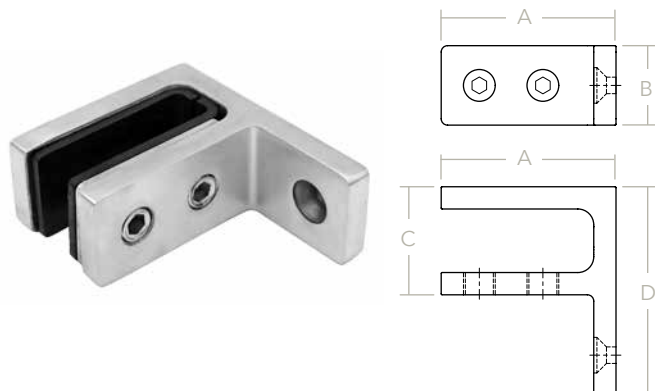
PRODUCT FEATURES

- 4 models **12-15mm** glass with gaskets included (**first item in each list**).
- 4 models **16.76-21.52mm** glass with gaskets included (**second item in each list**).
- Double grub screws.
- Available in **Duplex 2205** for more than double the strength and superior corrosion resistance than 316.
- All products are available in **Satin finish**.

ACCOMMODATES 12-21.52mm GLASS

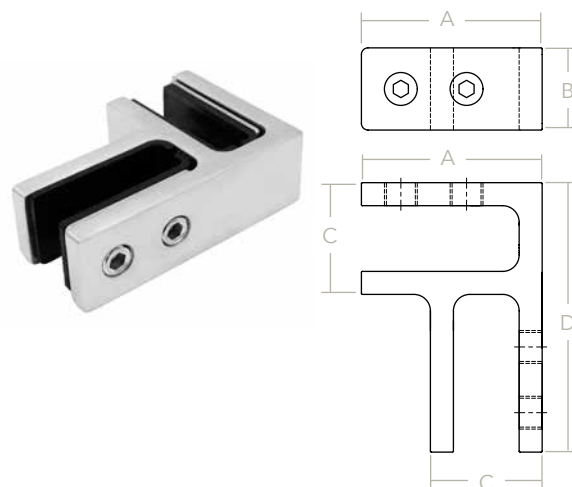
GLASS CONNECTOR FOR GLASS TO WALL

PART #	A	B	C	D
SSPFEBWALL1	55mm	25mm	34mm	65mm
SSPFEBWALL2	55mm	25mm	40mm	65mm



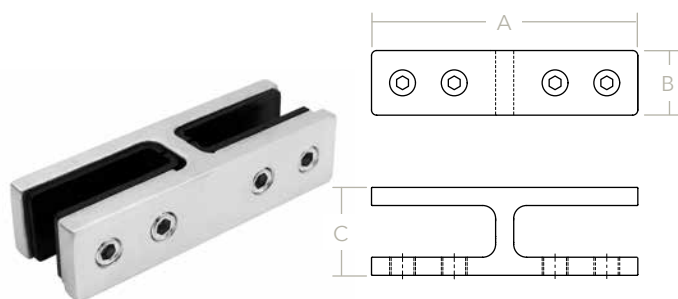
90° GLASS CONNECTOR FOR GLASS TO GLASS

PART #	A	B	C	D
SSPFEB901	55mm	25mm	34mm	82mm
SSPFEB902	55mm	25mm	40mm	88mm



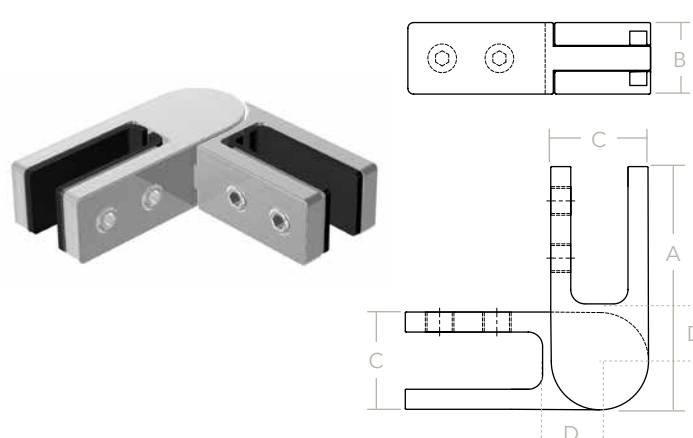
180° GLASS CONNECTOR FOR GLASS TO GLASS

PART #	A	B	C
SSPFEB1801	103mm	25mm	34mm
SSPFEB1802	103mm	25mm	40mm



ADJUSTABLE GLASS CONNECTOR FOR GLASS TO GLASS

PART #	A	B	C	D
SSPFEBADJ1	85mm	25mm	34mm	20mm
SSPFEBADJ2	91.5mm	25mm	40mm	20mm



- Adjustment from 90°-180°.
- Slide and rotate.
- No screw assembly.

TOP CHANNELS & FITTINGS

25 x 21mm

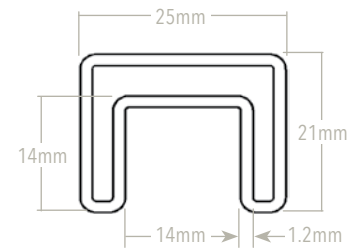
NO WELDING INSTALLATION

PART #

SSUTCH100

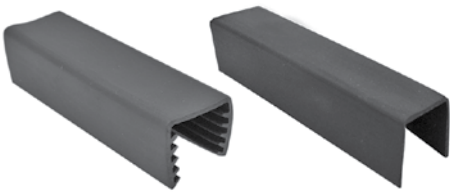
PRODUCT FEATURES

- Stainless steel 316L.
- Satin finish.
- Suitable for **10-12mm** glass.
- 19 ft length; 1.2mm wall thickness.
- Minimum visual impact.
- Gaskets and full range of fittings available (see below).



All fittings are Duplex 2205 stainless steel. No welding required using our recommended SSRK-1500 adhesive.

GASKETS



PART #

SSUTCH101

SSUTCH102

GLASS SIZE

10mm

12mm

L(length)

19 ft

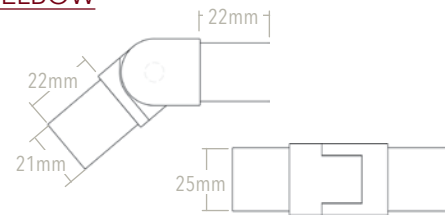
19 ft

SWIVEL VERTICAL ELBOW



PART #

SSUTCH104

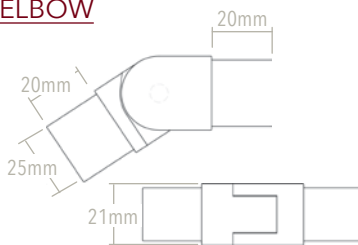


SWIVEL HORIZONTAL ELBOW



PART #

SSUTCH103

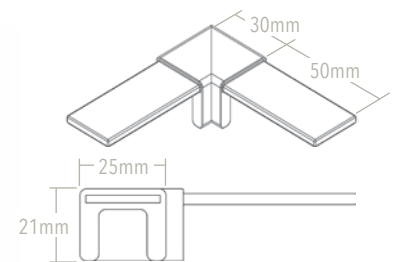


90° ELBOW



PART #

SSUTCH105

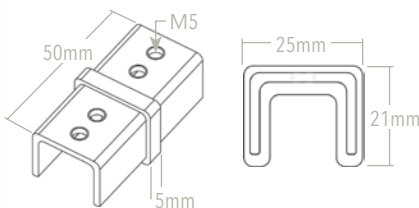


STRAIGHT CONNECTOR



PART #

SSUTCH106

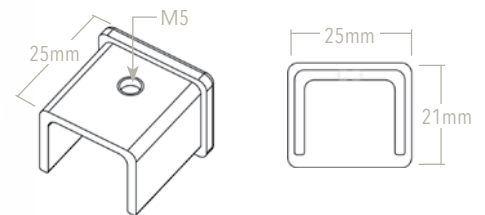


END CAP



PART #

SSUTCH107



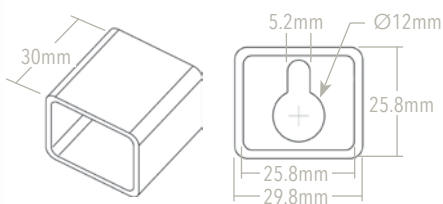
WALL BRACKET



PART #

SSUTCH108

With hole; can be affixed to wall/post



WALL BRACKET



PART #

SSUTCH109

With tab; can be affixed to wall/post

