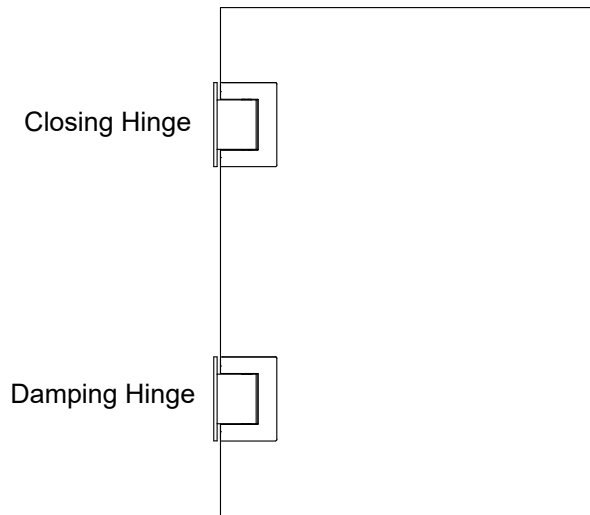


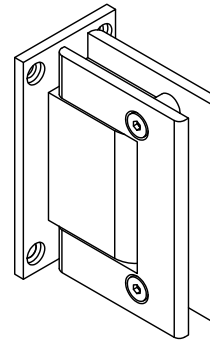
Installation Instructions

Hydraulic Hinges Glass to Wall

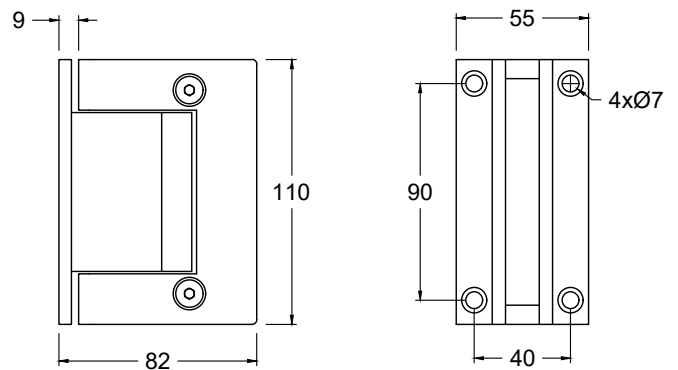
Each pair of Hydraulic Pool Gate Hinges consists of one Damping hinge and one Closing hinge. Only Damping hinge is adjustable at closing speed. To ensure the best performance, Damping Hinge should always be installed below the Closing Hinge.



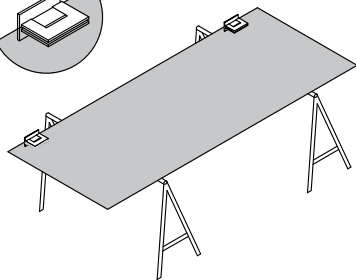
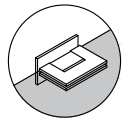
Max. door weight: 65 kg
Max. door width: 1000 mm



#SSPFHHGWS (Satin)
#SSPFHHGWM (Mirror)

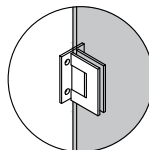
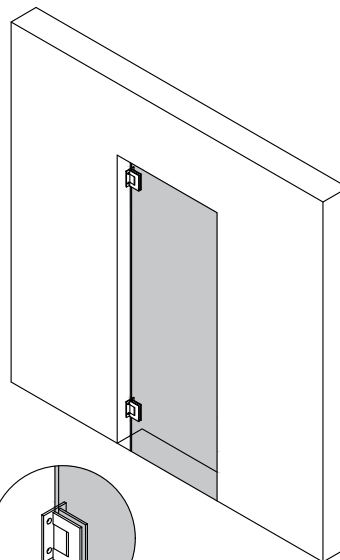


All sizes in mm.



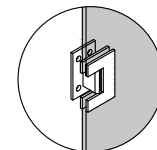
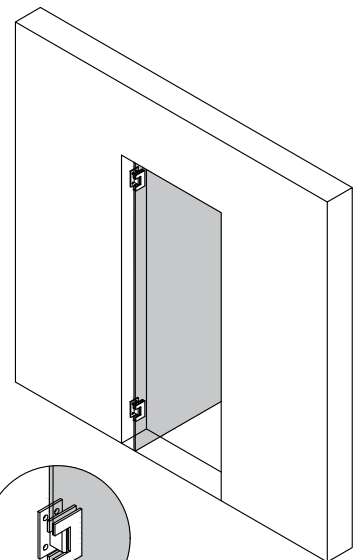
Step 1:

Fix the hinge onto the glass door.



Step 2:

Fix the hinge mounted glass door onto masonry or side-panel.



Step 3:

Open the door and adjust the closing speed by adjustable valve.

Precaution:

- Be careful not to loosen the adjustment screw too far as this will render the hinge inoperable.
- Warranties will also be void if screw is loosened too far.

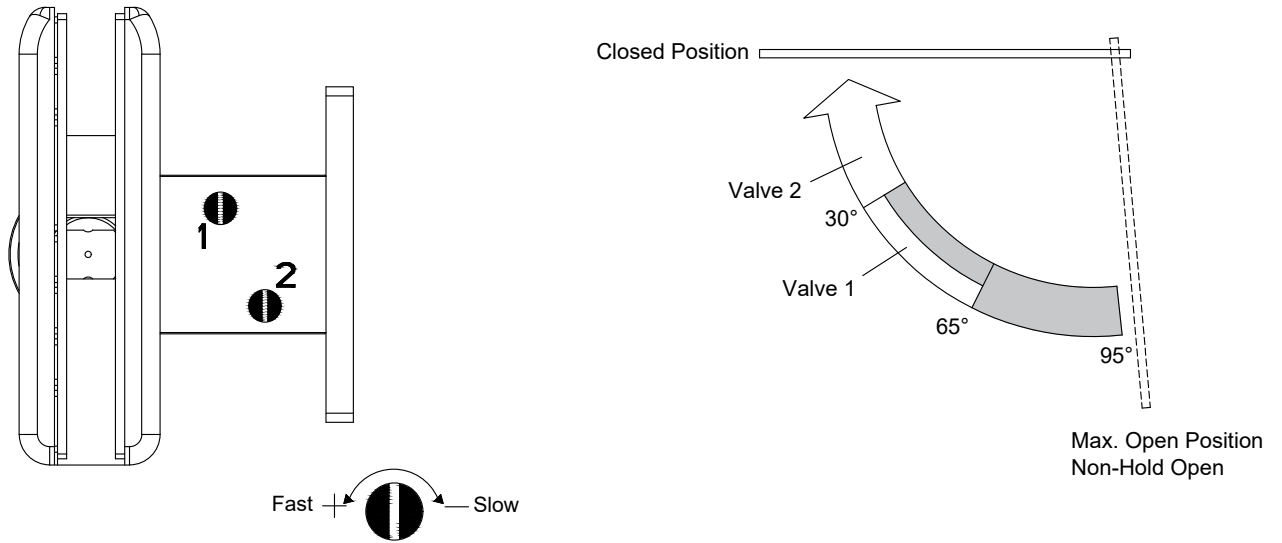
Installation Instructions

Hydraulic Hinges Glass to Wall

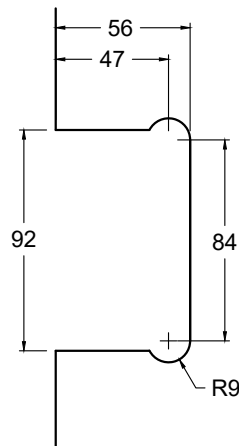


127A Aviva Park Dr., Woodbridge, ON, CANADA
www.euroeac.com Toll Free: 1-800-465-7143

Adjustment of closing speed for Damping Hinge (Hinge B)



- Adjust the closing speed by valves 1 and 2 for the angles shown above.



Glass cut-out

All sizes in mm.