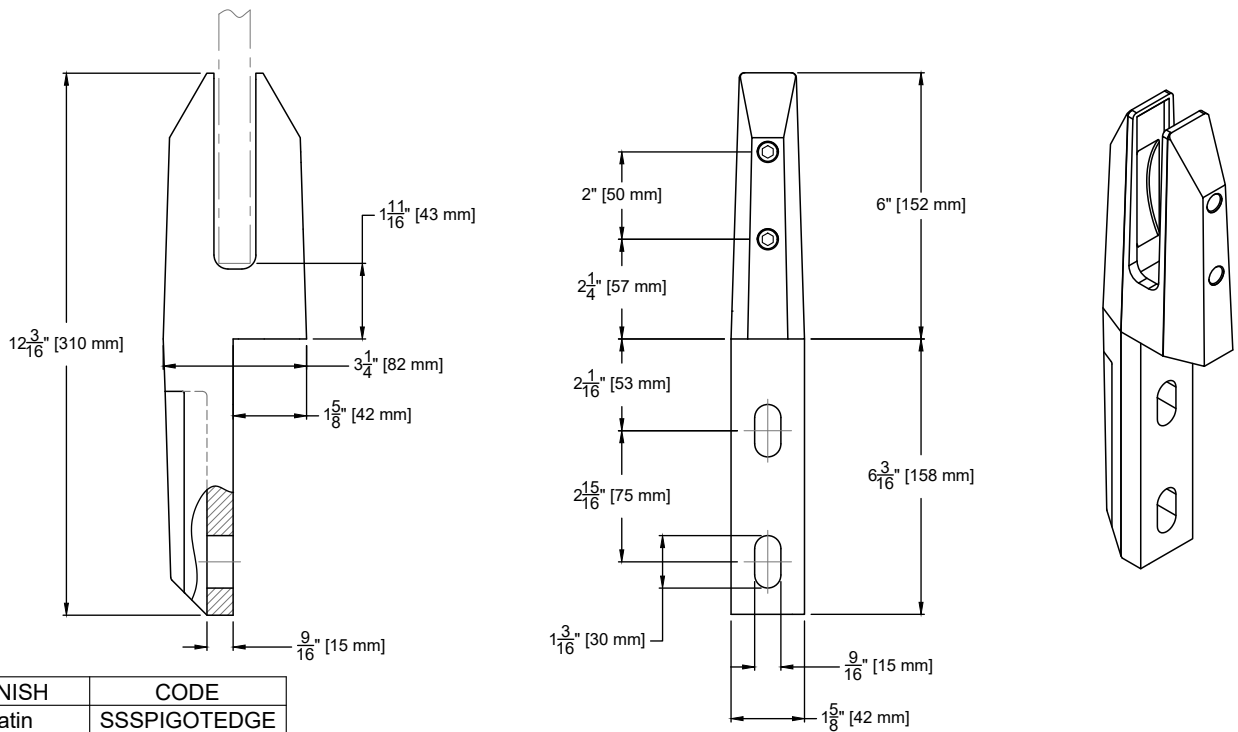


Tilt-Lock Spigot Edge Mount

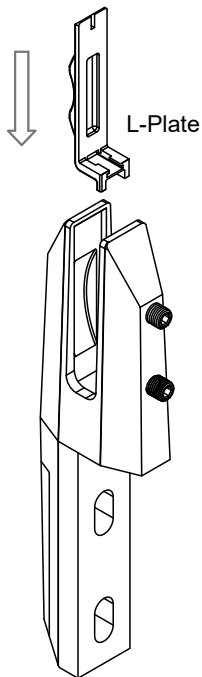
Dimensions



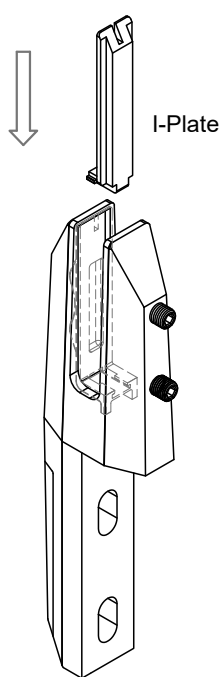
FINISH	CODE
Satin	SSSPIGOTEDGE
Graphite Black	SSSPIGOTEGB
Matte Black	SSSPIGOTEMB

Gasket Installation

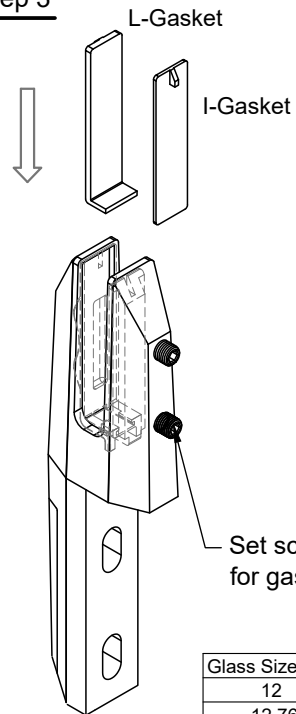
Step 1



Step 2



Step 3



Set screws should be loose for gasket installation

Glass Size (mm)	Gasket Colour
12	Yellow + Red
12.76	Yellow + White
13.52-14.28	Green + Red
15	Green + White
16.76-17.52	Purple + White

Note: After installing the glass into the spigot slot, tighten the upper and the lower set screws to tilt the glass backward and forward respectively.