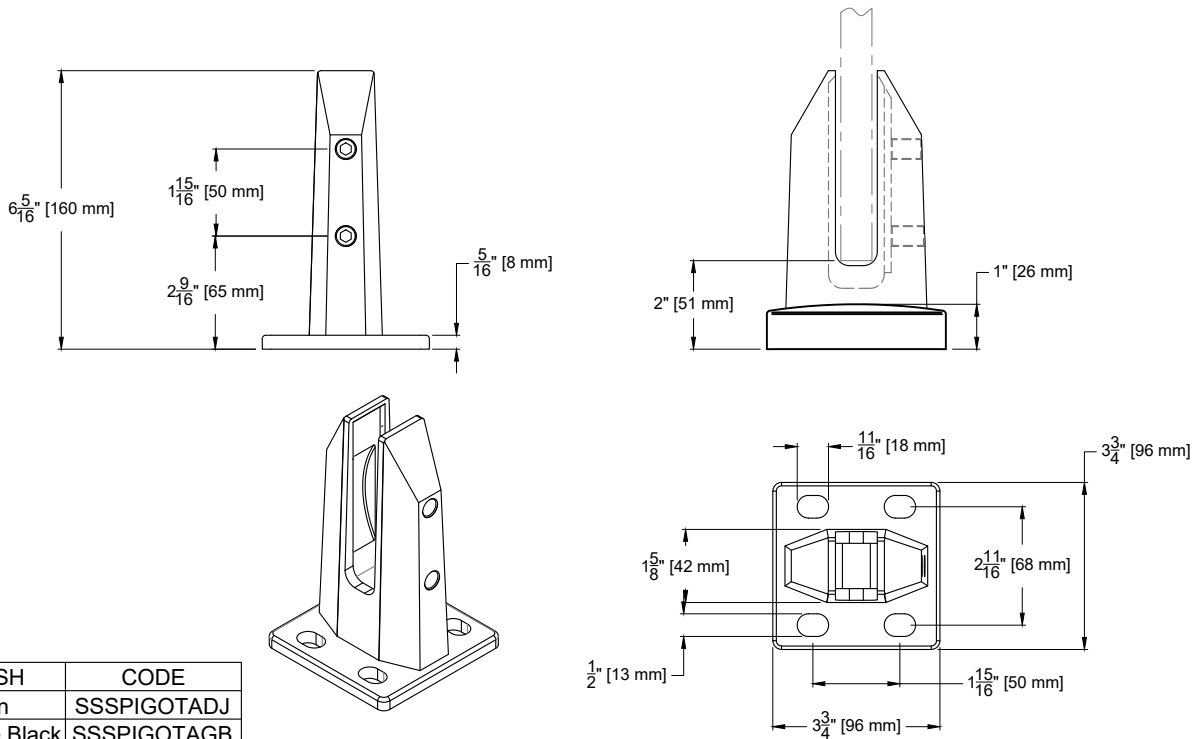


Tilt-Lock Spigot Top Mount



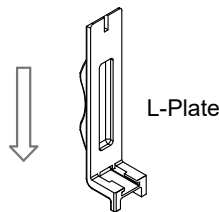
Dimensions



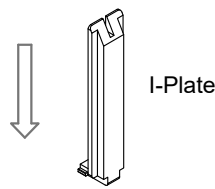
FINISH	CODE
Satin	SSSPIGOTADJ
Graphite Black	SSSPIGOTAGB
Matte Black	SSSPIGOTAMB

Gasket Installation

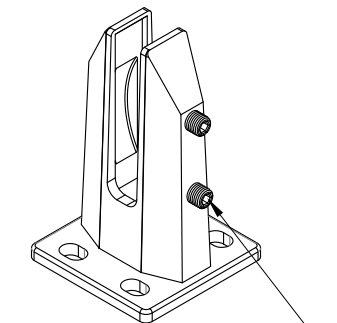
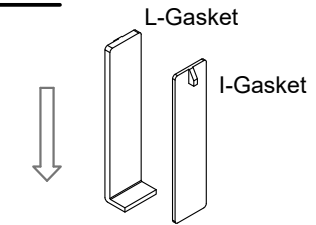
Step 1



Step 2



Step 3



Set screws should be loose for gasket installation

Note: After installing the glass into the spigot slot, tighten the upper and the lower set screws to tilt the glass backward and forward respectively.

Glass Size (mm)	Gasket Colour
12	Yellow + Red
12.76	Yellow + White
13.52-14.28	Green + Red
15	Green + White
16.76-17.52	Purple + White