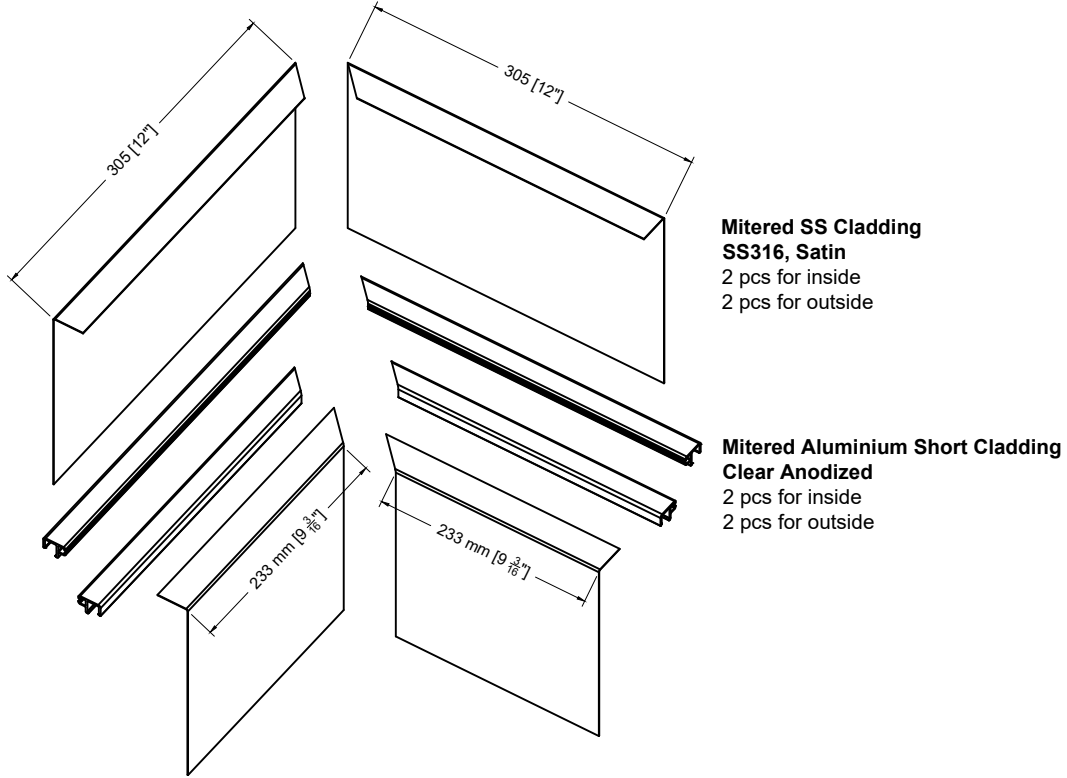


# Installation Instructions

## Corner Kit for SS Cladding #SSSM3CCKITS

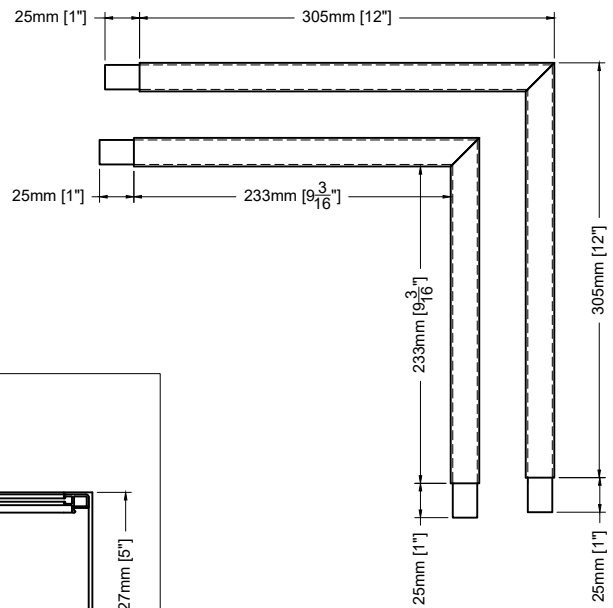
Suitable for all base shoe models with SS cladding

The kit includes the following components:



**Notes:**

- Aluminum short claddings included in the kit are 1" longer than the SS cladding (both for inside and outside ones) to level the adjacent SS cladding. Therefore, the Aluminum short cladding of the main SS cladding needs to be shorter by about 1 1/2" (See Detail A).
- Gaskets that come with the main claddings are inserted into the Aluminum cladding of the corner kit.
- Adding silicone is recommended on the top side of Aluminum cladding for exterior applications.
- Refer to Installation Instructions for #SSSM3CLADS1 for more information.



**Cladding Kit-Top View**

