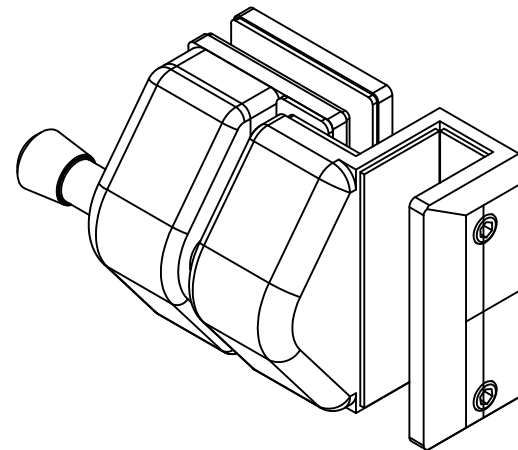
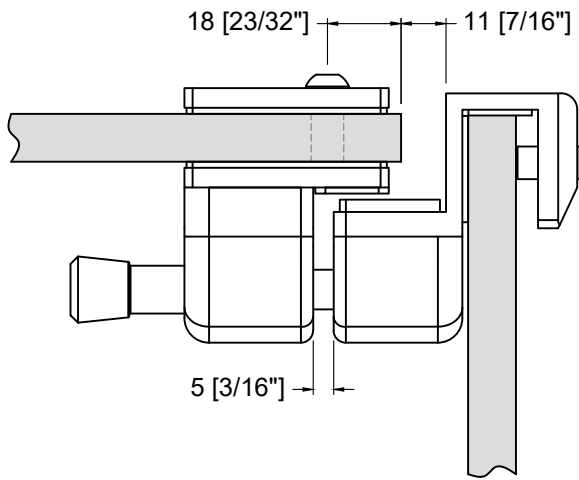


Holes needed on the gate panel only



All sizes are in mm [inch].