



STATE-OF-THE-ART SELF-CLOSING HINGE FOR FRAMELESS GLASS

The Polaris Soft Close Hinge is a unique self-closing hinge for use in all outdoor and indoor frameless glass applications. It was designed to meet the tough requirements of frameless glass pool fencing so that it can be used in all applications where glass doors or gates are required. The Polaris Soft Close Hinge is designed to be resistant to chemicals, to operate in a wet environment, and to withstand constant outdoor use as well as harsh weather.

The sleek stainless steel construction makes it strong and durable, yet stylish and attractive at the same time. As an architectural feature, it is minimalist and its design geometry is compatible with the toughened glass that it supports.

The Polaris Soft Close Hinge uses spring and shock absorbers to ensure gentle closing every time from any position, whether fully or partially open. The Polaris Soft Close

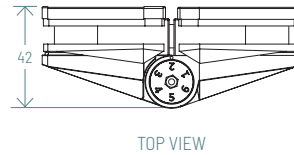
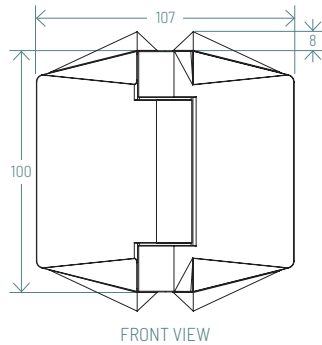
Hinge closes with a soft and light action, not only making it safe, but also quiet in operation.

The Polaris Soft Close Hinge is a state-of-the-art product that is ahead of its rivals in design, style, and safety.



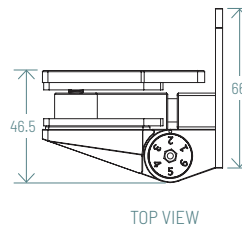
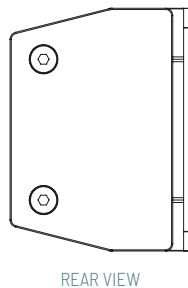
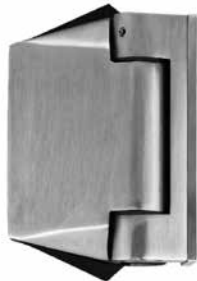
See our installation video

SSPFHSCGGS1 GLASS TO GLASS POOL HINGE



- DUPLEX 2205 MARINE GRADE STAINLESS STEEL
- BRUSHED STAINLESS
- SINGLE ACTION
- SOFT CLOSE
- NON-HOLD OPEN
- ANTI-FOOTHOLD GASKET

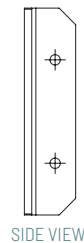
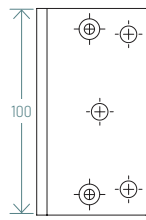
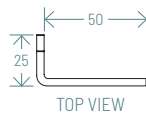
SSPFHSCGWS GLASS TO WALL POOL HINGE



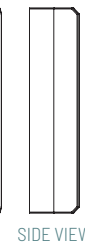
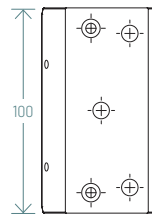
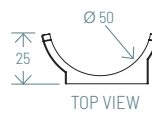
- DUPLEX 2205 MARINE GRADE STAINLESS STEEL
- BRUSHED STAINLESS
- SINGLE ACTION
- SOFT CLOSE
- NON-HOLD OPEN
- ANTI-FOOTHOLD GASKET

SSPFHSCSQR / SSPFHSCRND GLASS TO POST BRACKETS

SSPFHSCSQR
SQUARE POST BRACKET

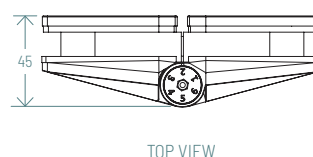
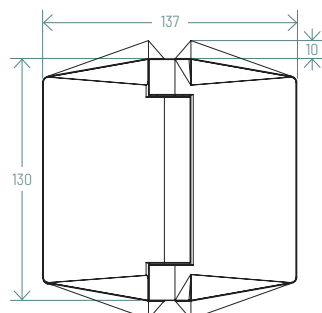


SSPFHSCRND
ROUND POST BRACKET



- DUPLEX 2205 MARINE GRADE STAINLESS STEEL
- BRUSHED STAINLESS
- DESIGNED TO FIT WITH GLASS TO WALL HINGE (MODEL SSPFHSCGWS) ABOVE

SSPFHSCGGS2 GLASS TO GLASS POOL HINGE



- DUPLEX 2205 MARINE GRADE STAINLESS STEEL
- BRUSHED STAINLESS
- SINGLE ACTION
- SOFT CLOSE
- NON-HOLD OPEN
- ANTI-FOOTHOLD GASKET