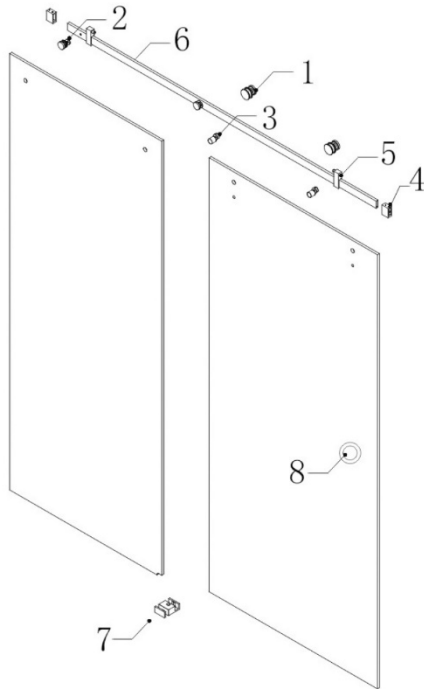


# Aqua 01 SERIES SLIDING DOOR KIT



## ► Detailed Diagram of Shower Door Components

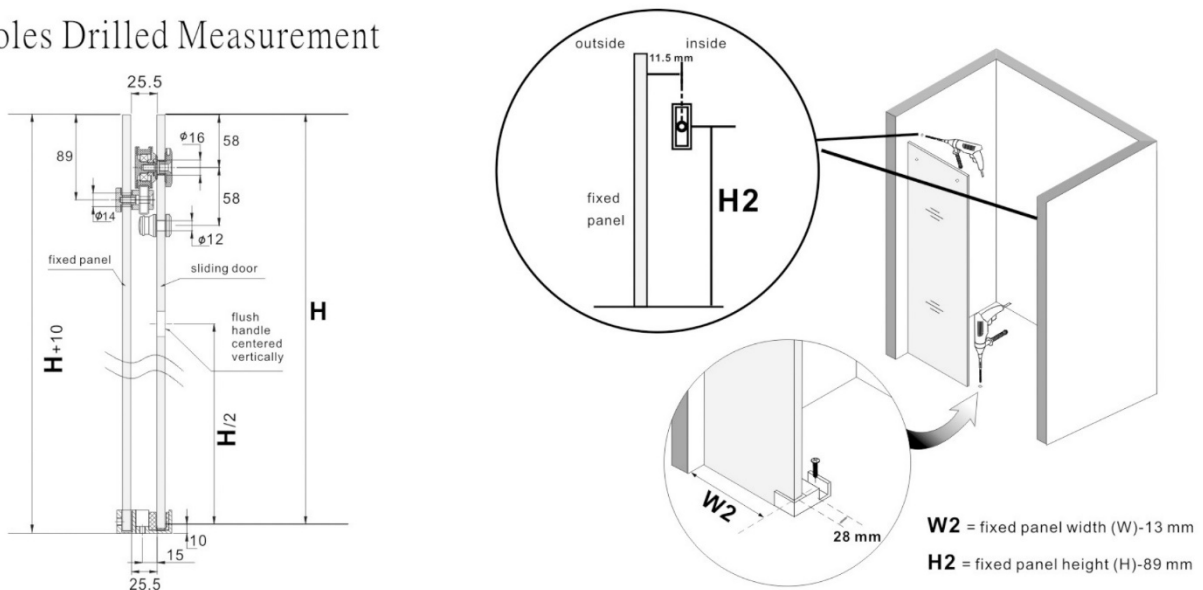


Parts List			
#	Name	Pic	Qty
1	Roller		2
2	Fixing clip		2
3	Anti-jump		2
4	Rail connector		2
5	Stopper		2
6	Rail		1
7	Guide		1
8	Handle		1

## ► Preparation



## ► Holes Drilled Measurement



# Aqua 01 SERIES SLIDING DOOR KIT

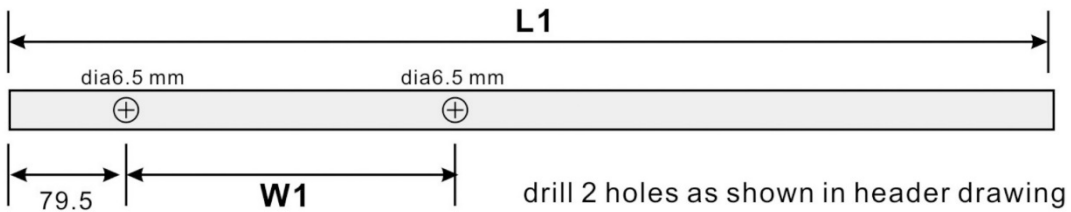


## ► Header Measurement

**L** = Over Width

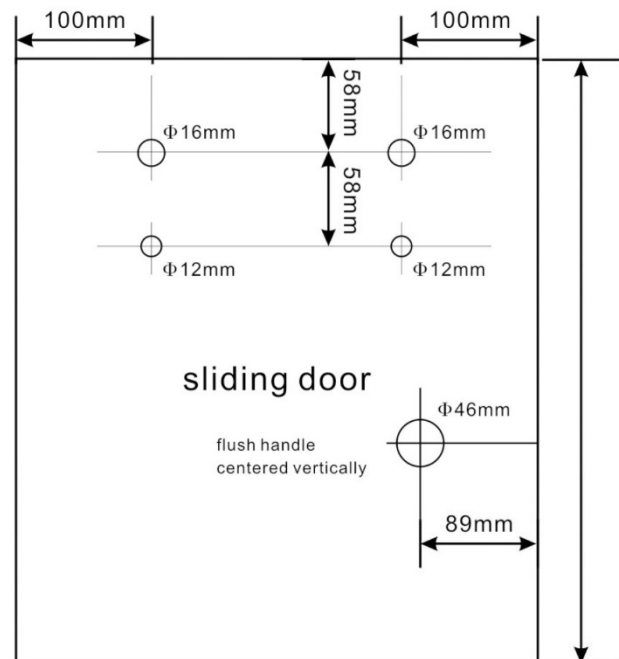
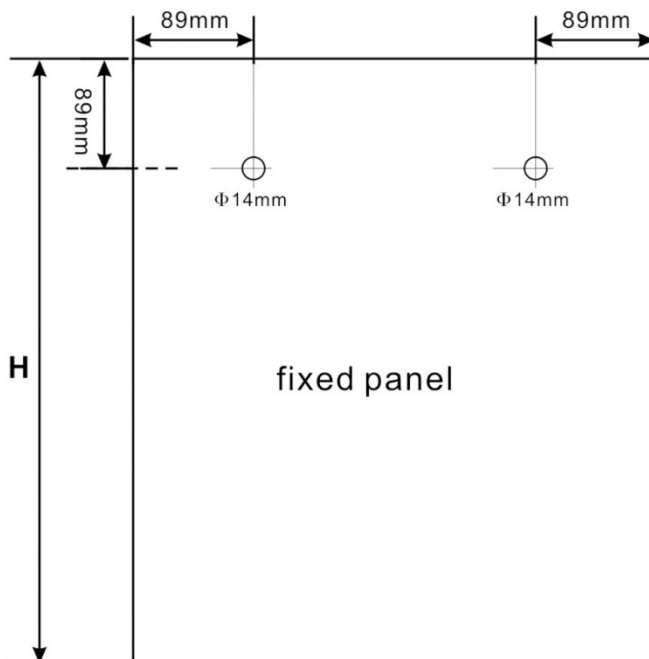
Header Size (**L1**) = **L**-25 mm

**W1** = fixed panel width (W)-178mm



## ► Glass Measurement

fixed/sliding panel (**W**) =  $L/2 + 22$  mm



sliding door height = fixed panel (H)-10mm

**Fit for 8-10mm glass**

