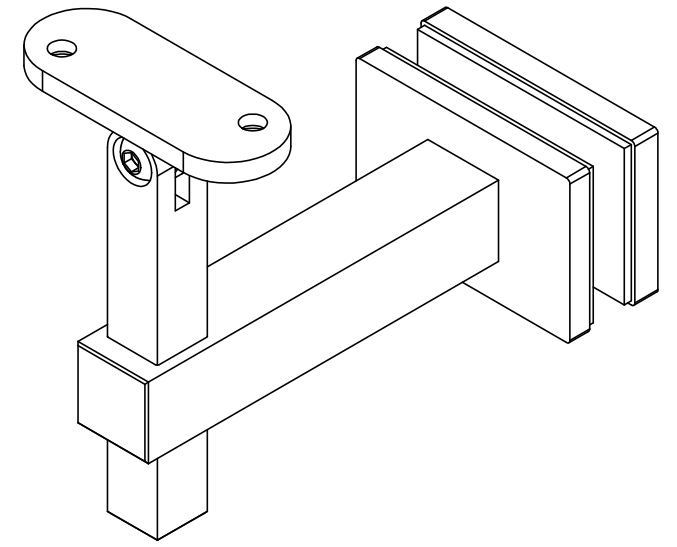
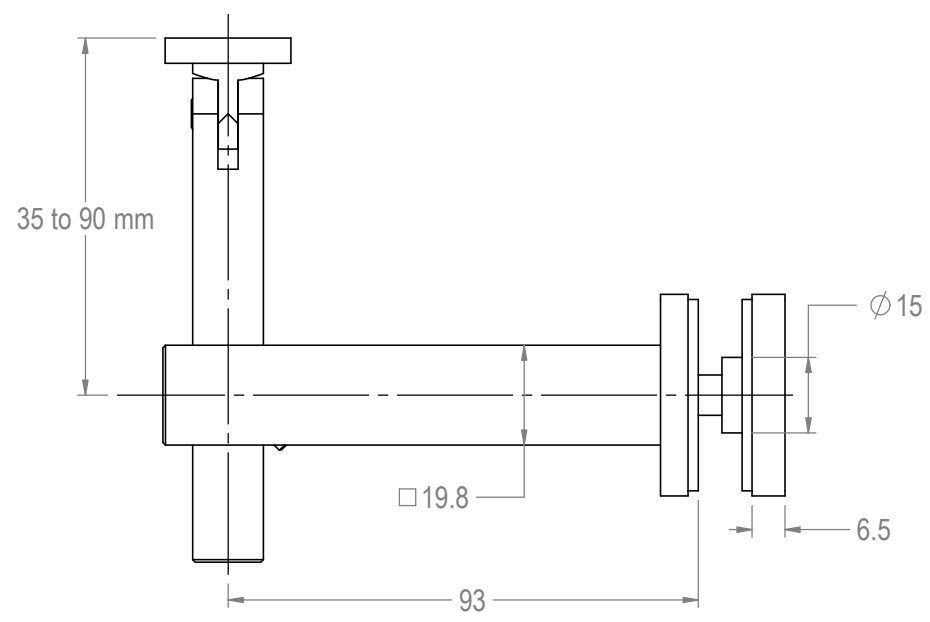
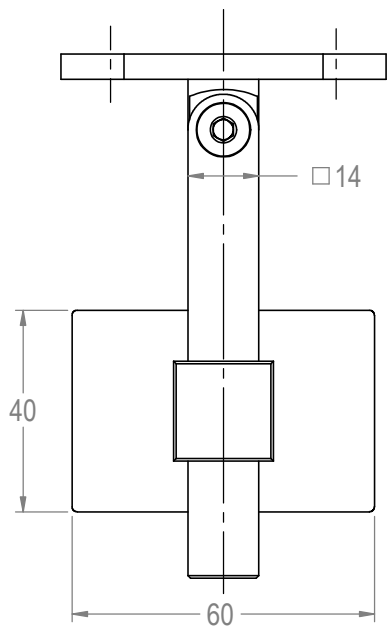


NOTE:  
Recommended hole size on  
glass  $\phi 19 [3/4"]$



Product Code	Material
SSZH0030105S	SS304
SSZH0030116S	SS316

**PROPRIETARY AND CONFIDENTIAL**  
THE INFORMATION CONTAINED IN THIS DRAWING IS THE SOLE PROPERTY OF EURO ORNAMENTAL FORGINGS. ANY REPRODUCTION IN PART OR AS A WHOLE WITHOUT THE WRITTEN PERMISSION OF EURO ORNAMENTAL FORGINGS IS PROHIBITED.



TITLE:  
**SWIVEL RECTANGULAR WALL BRACKET**  
Back Plate 40 x 60 mm

DWG NO. SSZH00301XXS SHEET 1 OF 1 REV.: 01