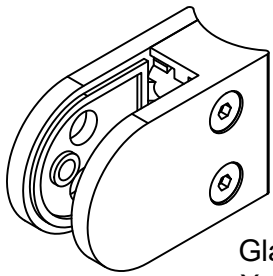


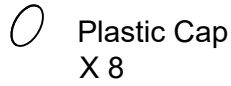
INSTRUCTIONS

LARGE ROUND GLASS CLIPS

Following items are included in the box:



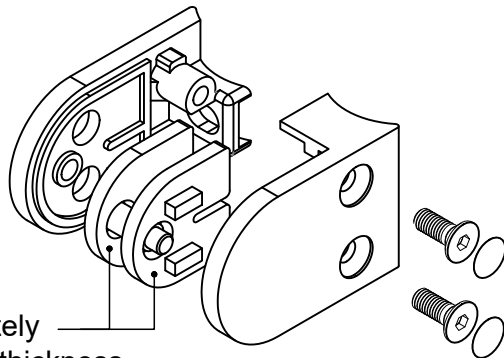
Glass Clip
X 4



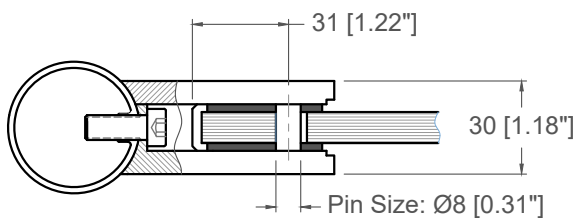
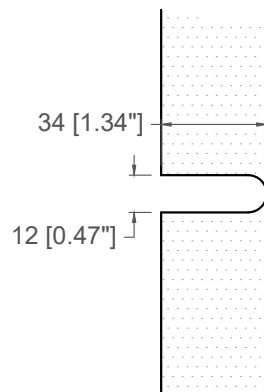
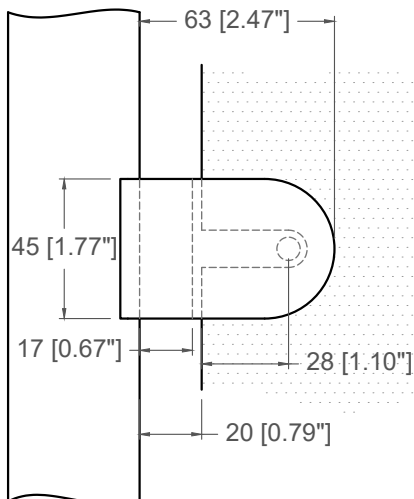
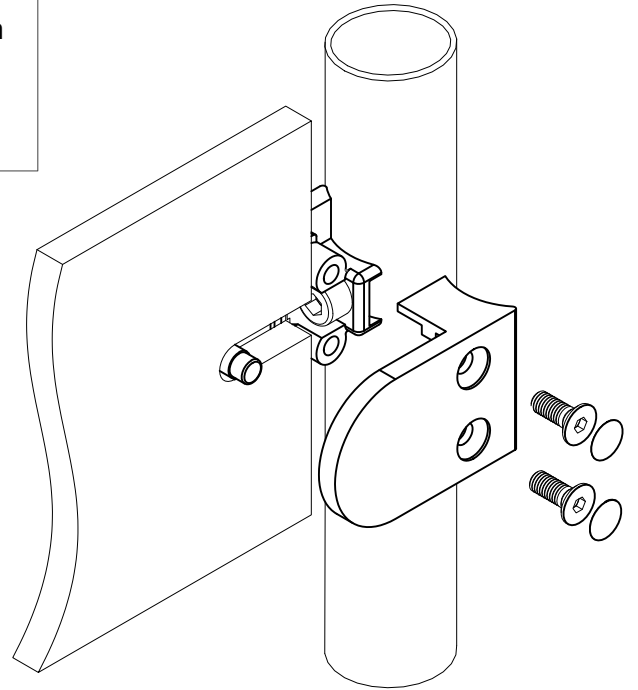
Plastic Cap
X 8



Safety Pin
X 4



Rubber gaskets
ordered separately
based on glass thickness



GENERAL NOTES:

- Safety pins must be installed to prevent glass sliding over time.
- Hex socket machine screws M8x20 used to secure the glass clip to the posts through flow drilled/M8 tapped holes.
- Sizes are in mm [inch].