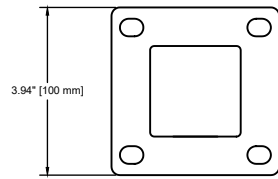
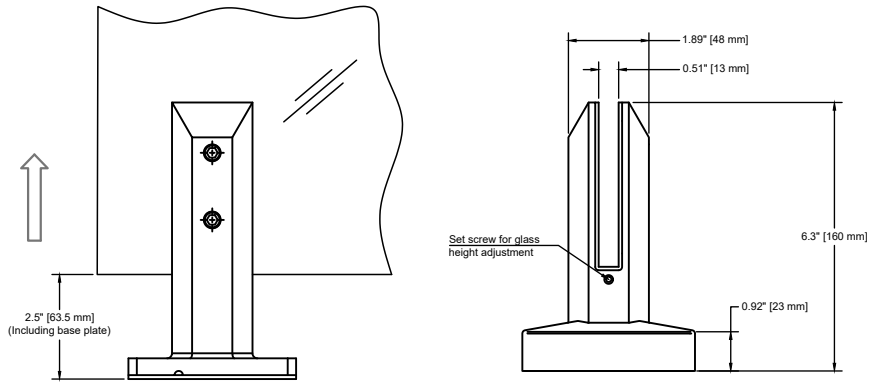


# Height Adjustable Spigot Top Mount

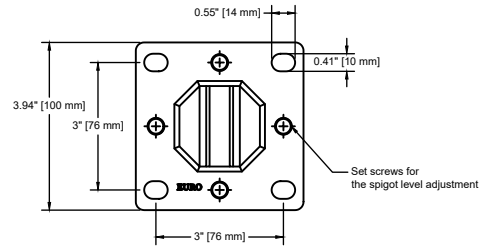


## Dimensions

There is possibility to adjust the glass level by (a maximum of)  $\frac{1}{4}$ " [6 mm].



2 mm Thk. Base Plate



Top view

FINISH	CODE
Satin	SSSPIGOTSMS
Mirror	SSSPIGOTSMM

## Components

