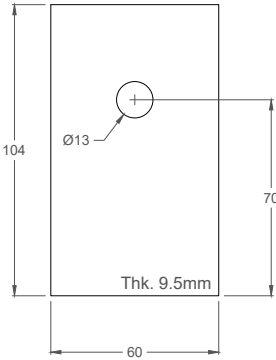
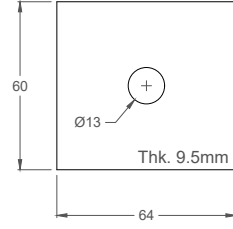
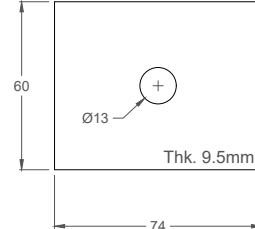
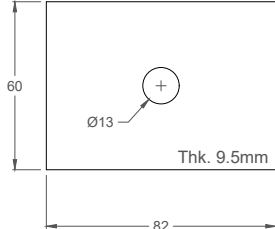
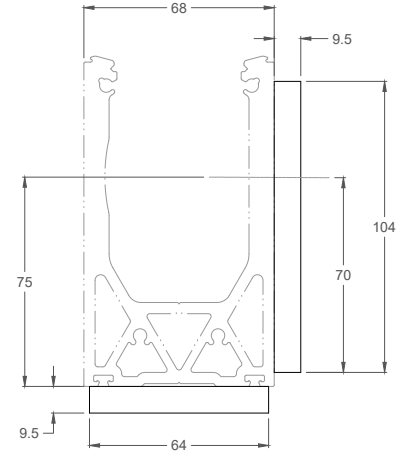
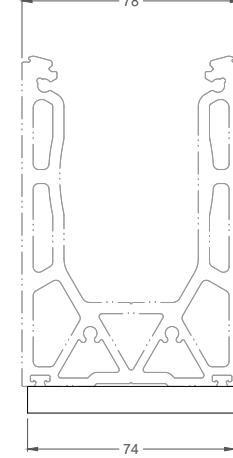
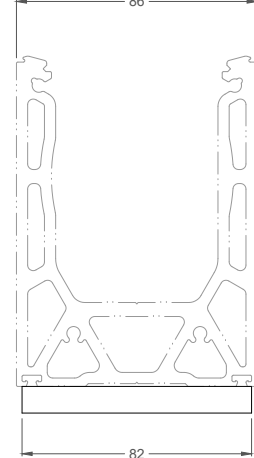


SSSM3DRAINS	SSSM3DRAINT	SSSM4DRAINT	SSSM5DRAINT
<p>For side mount</p> 	<p>For top mount</p> 	<p>For top mount</p> 	<p>For top mount</p> 
 <p>SSSM3SHOE</p>		 <p>SSSM4SHOE</p>	 <p>SSSM5SHOE</p>

Material: Aluminum 6063



euro
ARCHITECTURAL
COMPONENTS

127A Aviva Park Dr.,
Woodbridge, ON, CANADA
www.euroeac.com
Toll Free: 1-800-465-7143

TITLE:

Drain Block for Base Shoe

DATE: 02/22/2018

SHEET: 1 of 1

REV: 01