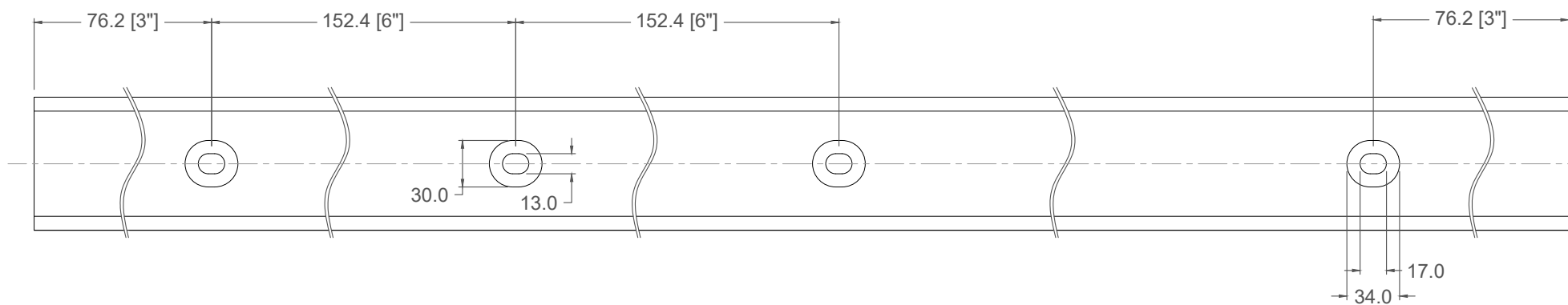
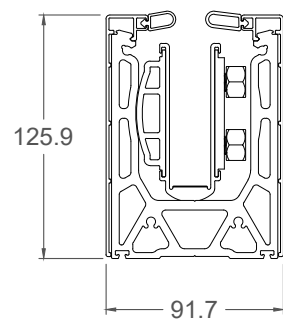
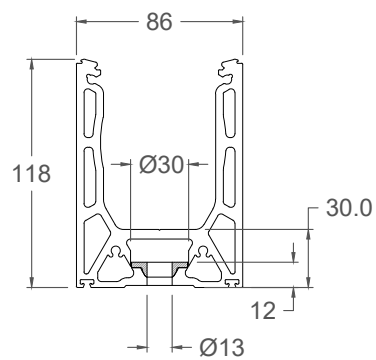


Front View



Top View



127A Aviva Park Dr.,
Woodbridge, ON, CANADA
www.euroeac.com
Toll Free: 1-800-465-7143

TITLE:

Base Shoe for 19-25.52mm Glass
Part #: SSSM5SHOE10A

DATE: May16, 2018

SHEET: 1 of 1

REV: 01