

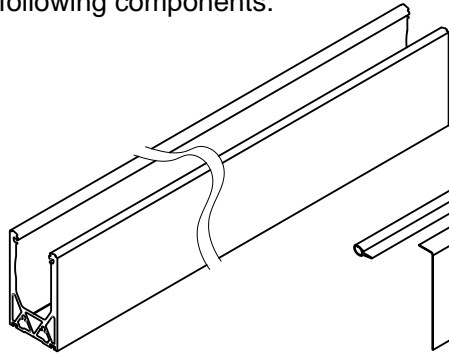
Installation Instructions

Top Mount Base Shoe - Stainless Steel Cladding

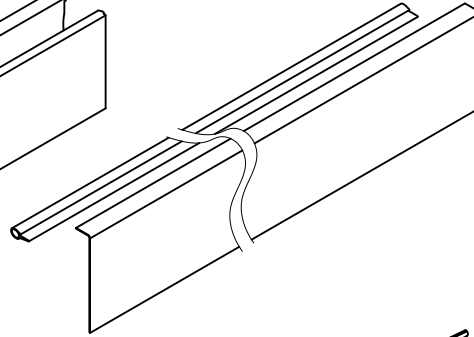
SSSM3SHOE10S (10 ft.)
SSSM3SHOE20S (20 ft.)



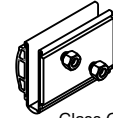
The kit includes the following components:



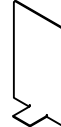
Base Shoe
10 ft. or 20 ft. length
1 pc



SS Cladding with Gasket
2 pcs



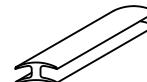
Glass Grip
6 pcs for 10 ft. kit
12 pcs for 20 ft. kit



End Cap
2 pcs



Joining Pin
4 pcs for 10 ft. kit
8 pcs for 20 ft. kit

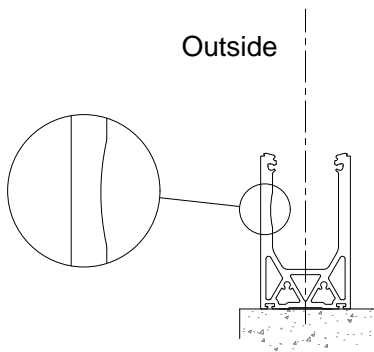


Gap Filler
1 pc



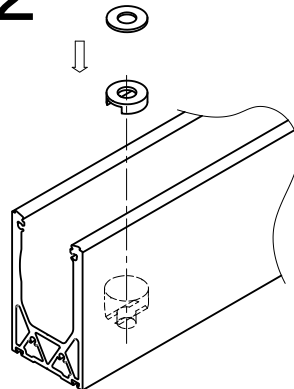
Stabilizing Washer
10 pcs for 10 ft. kit
20 pcs for 20 ft. kit

1



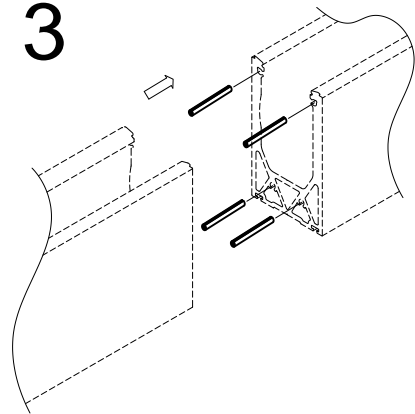
Make sure that the curved side of the Base Shoe is facing the outside.

2



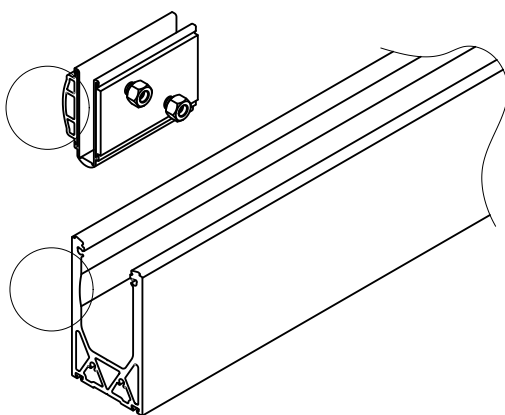
Put the Stabilizing Washer in place by aligning the slot with the ribs at the bottom of the base shoe. To secure the base shoe, ensure that you use a flat washer with suitable fasteners.

3



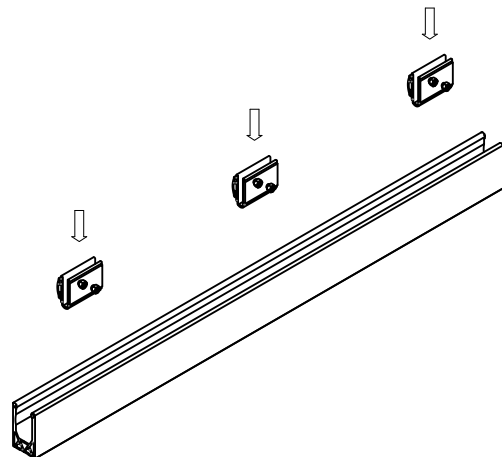
Use the Joining Pins to connect the shoes.

4



Curved plate on the Glass Grips must be matched to curved surface of the base shoe.

5



Refer to Engineering Documents for spacing between glass grips. Additional glass grips are available to be ordered separately.

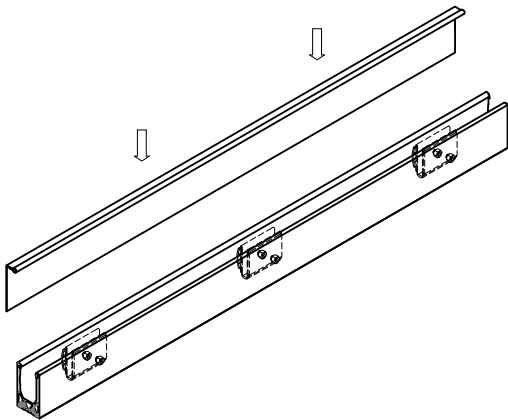
Installation Instructions

Top Mount Base Shoe - Stainless Steel Cladding

SSSM3SHOE10S (10 ft.)
SSSM3SHOE20S (20 ft.)

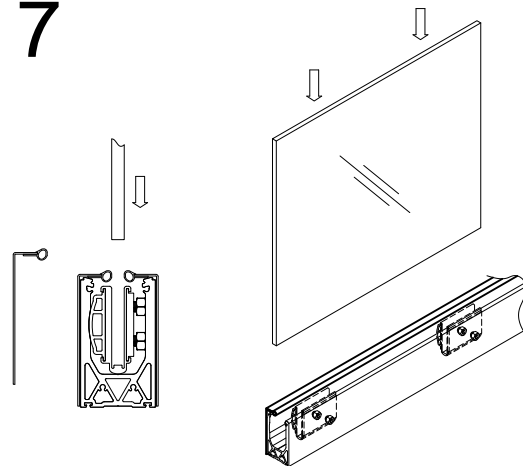


6



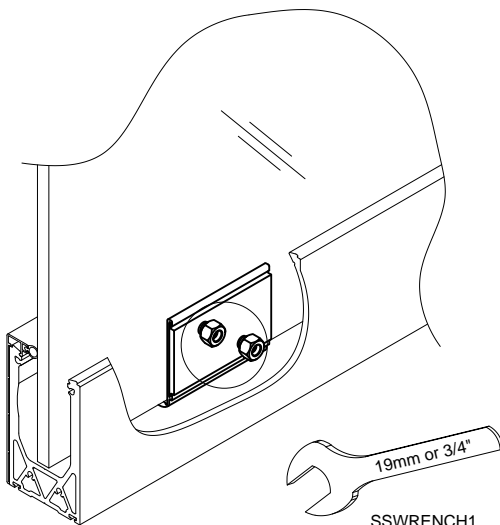
Install one piece of Stainless Steel Cladding on the outside. Double-sided tape or silicone can be used to secure the cladding.

7

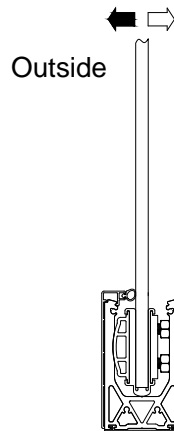


Slide the glass panel(s) into the glass grips.

8



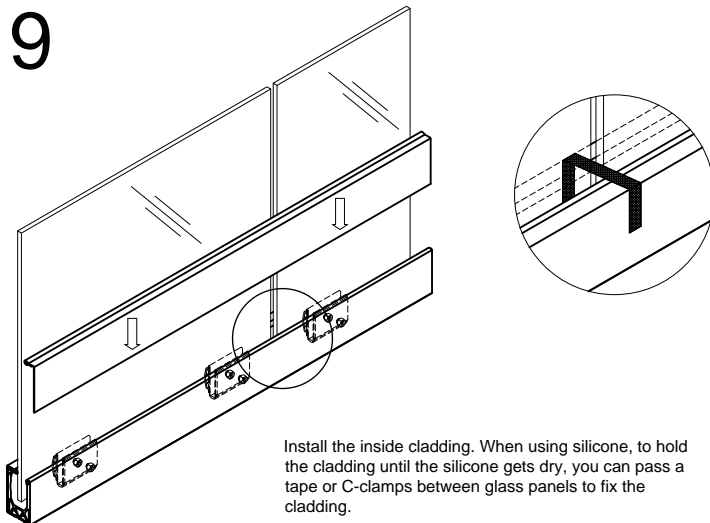
SSWRENCH1



To adjust:
Loosen upper fastener (turn CCW) and
tighten lower (turn CW) to tilt glass outward
and vice versa.

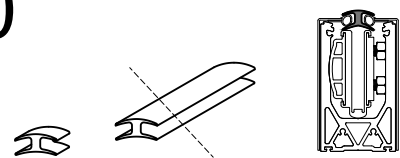
Upper fastener
Lower fastener

9



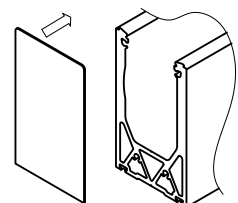
Install the inside cladding. When using silicone, to hold the cladding until the silicone gets dry, you can pass a tape or C-clamps between glass panels to fix the cladding.

10



Cut the Gap Filler to match the size of the gap between glass panels and insert between gaskets at glass-to-glass gap.

11



Use adhesive to attach the End Caps.