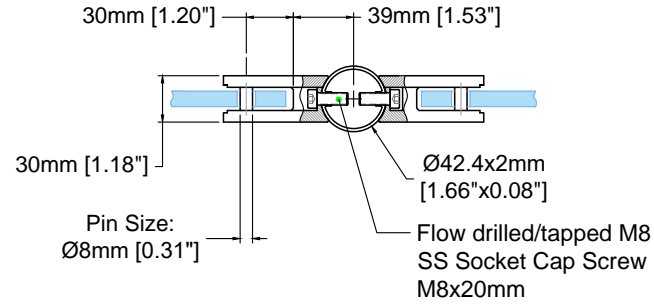
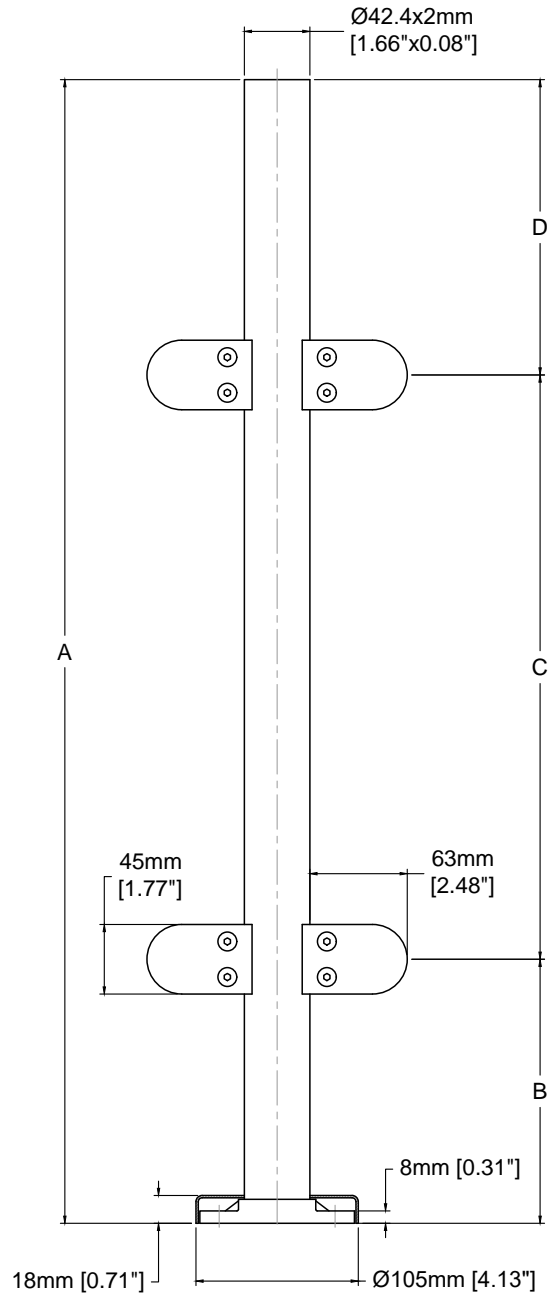
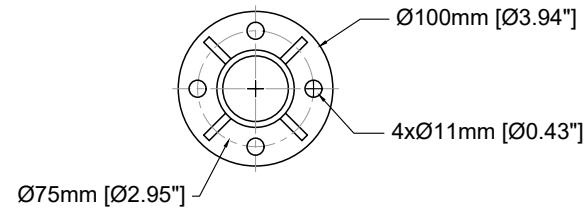


Note:

- All posts are SS316.
- Gaskets for glass thickness 10mm and 12mm included.



Typical Section



Base Plate

Product Code	A	B	C	D
	mm [in]	mm [in]	mm [in]	mm [in]
SSPG166L36L	811 [31.9]	248 [9.8]	317 [12.5]	246 [9.7]
SSPG166S40L	913 [35.9]	248 [9.8]	411 [16.2]	254 [10.0]
SSPG166L42L	963 [37.9]	248 [9.8]	469 [18.5]	246 [9.7]