



DUPLEX 2205 ULTRA MARINE GRADE STAINLESS STEEL
SUPERIOR STRENGTH
SUPERIOR CORROSION RESISTANCE

ADJUSTABLE GLASS MOUNTING SYSTEMS

The Tilt-Lock™ Adjustable Glass Mounting Systems are available in 4 models to suit almost every possible mounting requirement for glass 12-17.52mm thick.

The clean architectural lines create a unique facade, providing a very cost-efficient modern solution for structural glass railings.

The no-holes-in-the-glass system allows the glass to be easily adjusted using the pressure on the screws to ensure a perfect installation every time and results in a stronger, more reliable system.

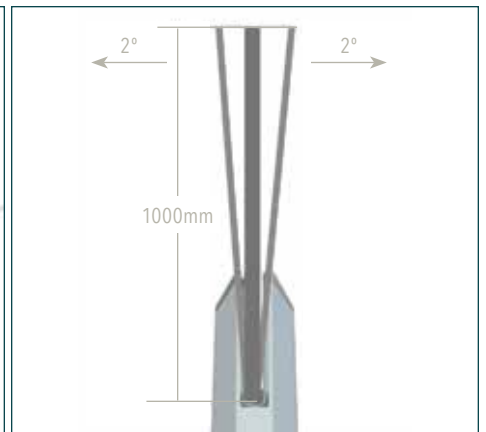
PRODUCT FEATURES

- Top Mount, Side Mount, and Edge Mount Models.
- Duplex 2205 construction in satin finish.
- Suitable for **12-17.52mm** glass.
- Allows for glass to be tilted 2° backward or forward.
- All adjustments can be achieved from one side.
- **Fully engineered for the National Building Code of Canada.**
- All spigot models have been tested up to 3 kN.
- **Canadian Patent Application No. 2,962,407.**
- **U.S. Patent Application No. 15/024,903.**
- **New Zealand Patent No. 700501.**
- **European, UK, Australian, Chinese Patents Pending.**

TIGHTENING

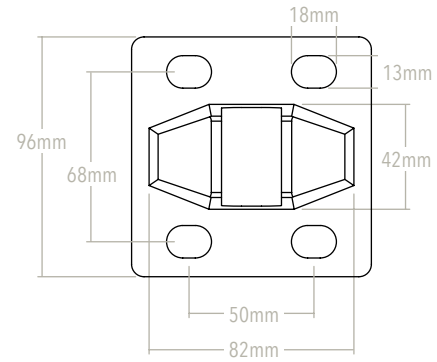
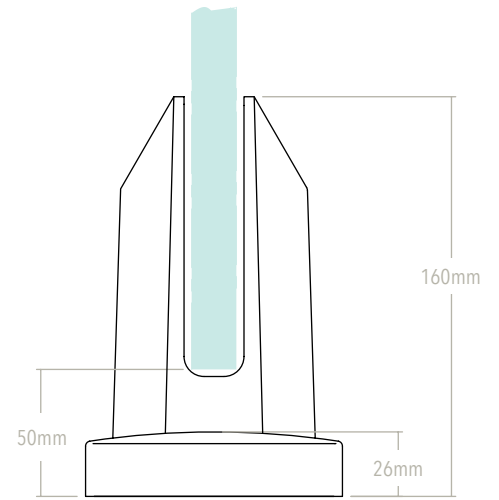
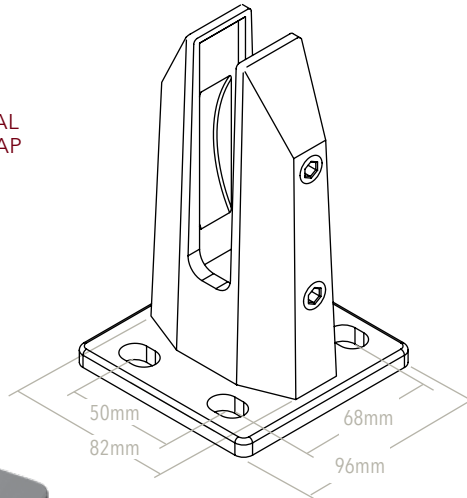
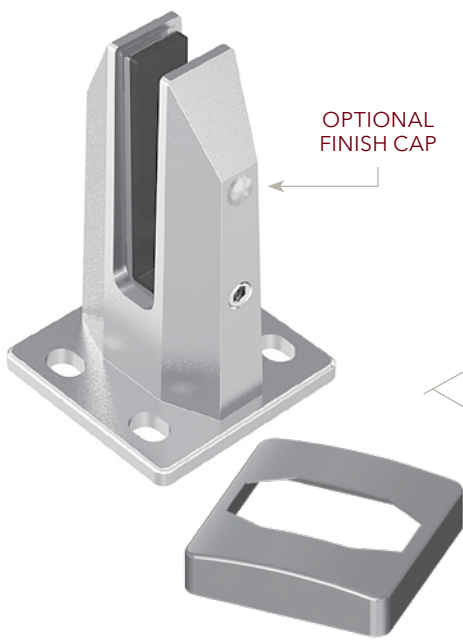


ADJUSTMENT



NOTE: For installation instructions, engineering, and drawings, please refer to our website.

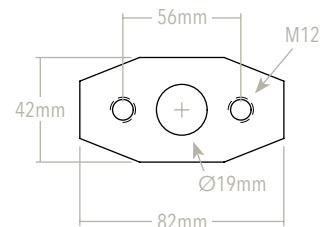
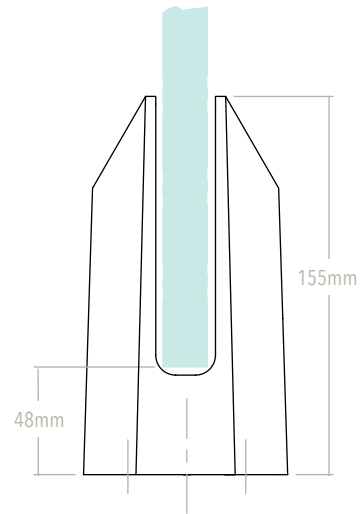
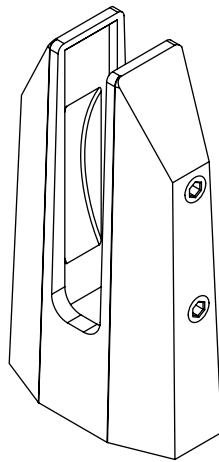
TOP MOUNT SQUARE BASE PLATE MODEL



PART #
SSSPIGOTADJ

- Duplex 2205 stainless steel.
- Satin finish.
- Pressure plate model.
- Suitable for **12-17.52mm** glass.
- Slotted base plate holes.
- Cover plate included.
- Optional finish cap package (2 pcs.) SSSPIGOTCAP available.

TOP MOUNT MODEL

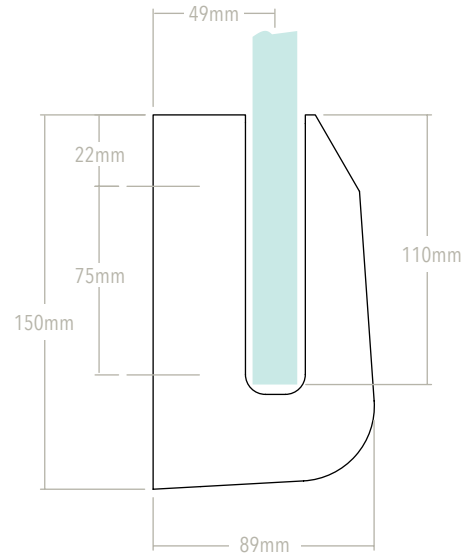
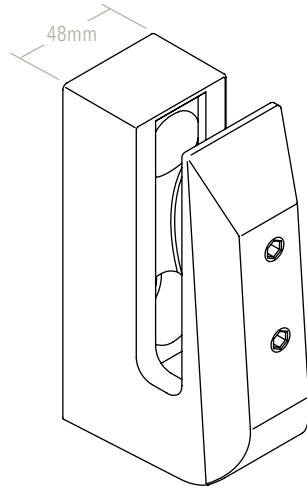


PART #
SSSPIGOTADJN

- Duplex 2205 stainless steel.
- Satin finish.
- Pressure plate model.
- Suitable for **12-17.52mm** glass.
- No cover plate required.
- Optional finish cap package (2 pcs.) SSSPIGOTCAP available.



SIDE MOUNT MODEL

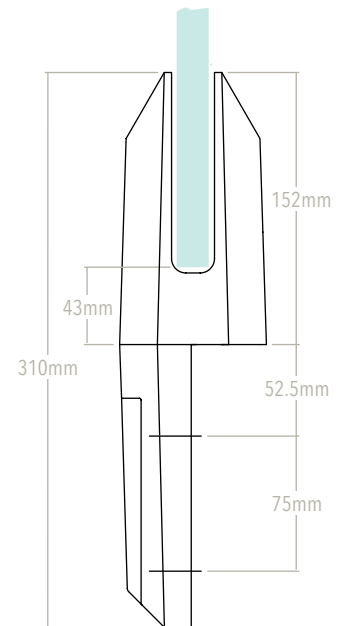
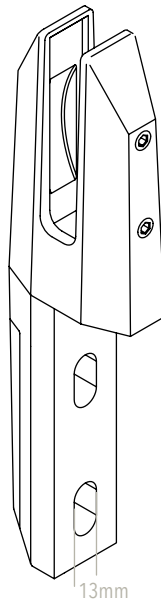


PART #

SSSPIGOTSIDE

- Duplex 2205 stainless steel.
- Satin finish.
- Pressure plate model.
- Suitable for **12-17.52mm** glass.
- For ease of installation, we recommend using our SSSPIGOTSIDT socket tool, which can be purchased separately.
- Optional finish cap package (2 pcs.) SSSPIGOTCAP available.

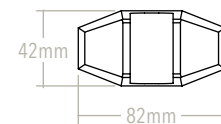
EDGE MOUNT MODEL



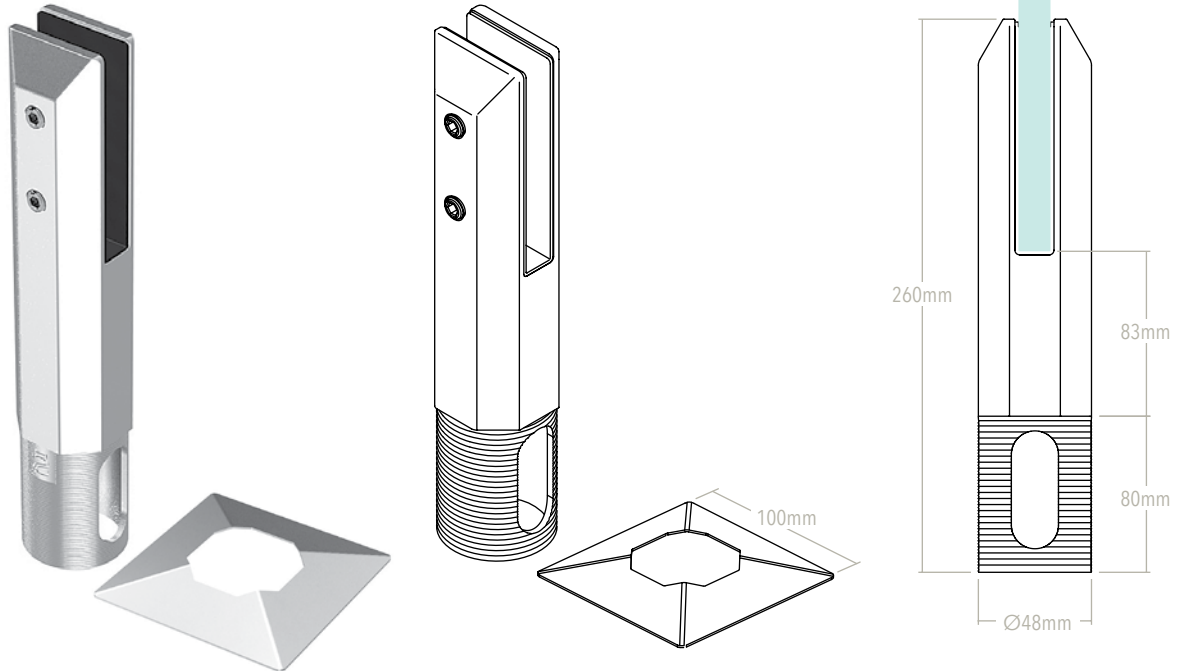
PART #

SSSPIGOTEDGE

- Duplex 2205 stainless steel.
- Satin finish.
- Pressure plate model.
- Suitable for **12-17.52mm** glass.
- Optional fastener package SSSPIGOTBOLT available (see page 109).
- Optional finish cap package (2 pcs.) SSSPIGOTCAP available.



CORE MOUNT MODEL



PART #

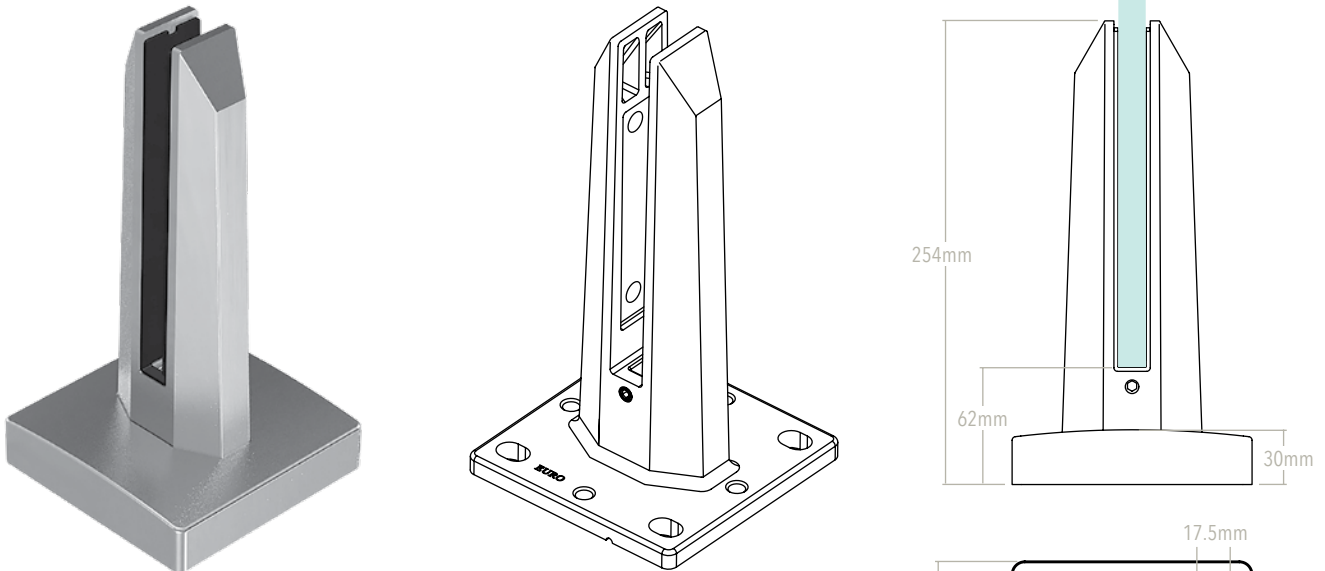
SSSPIGOTCORE

- Duplex 2205 stainless steel.
- Satin finish.
- Pressure plate model.
- Suitable for **10-12.76mm** glass.

- Cover plate included.
- Optional finish cap package (2 pcs.) SSSPIGOTCAP available.

This item is not tilt adjustable.

TOP MOUNT LARGE FRICTION FIT MODEL



PART #

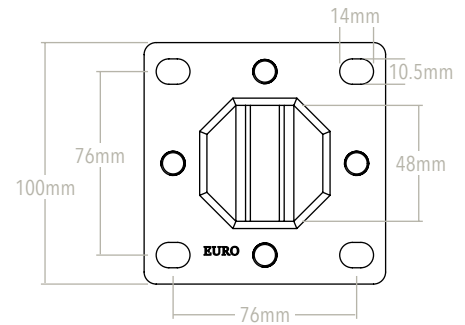
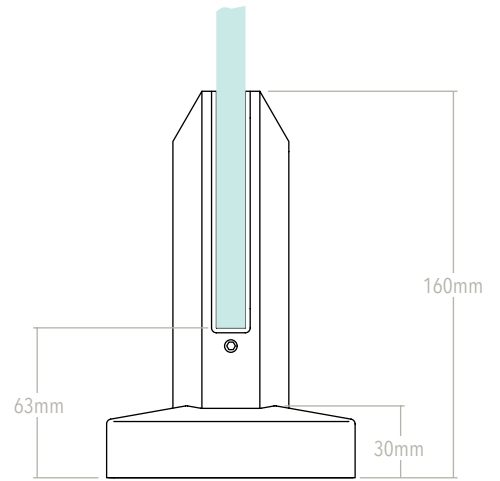
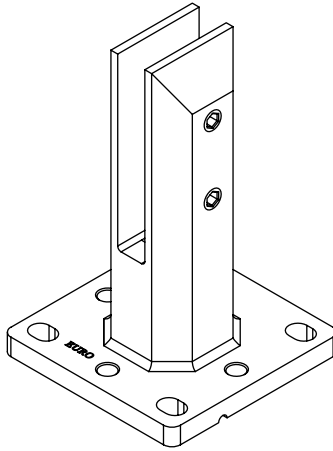
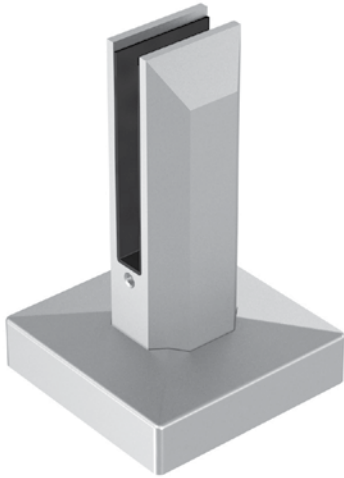
SSSPIGOTLGFF

- Duplex 2205 stainless steel.
- Satin finish.
- Pressure plate model.
- Suitable for **12-17.52mm** glass.
- Vertical adjustment.

- No need to drill holes in glass.
- Slotted base plate holes.
- Cover plate included.
- Optional finish cap package (2 pcs.) SSSPIGOTCAP available.

This item is not tilt adjustable.

SMALL SPIGOT

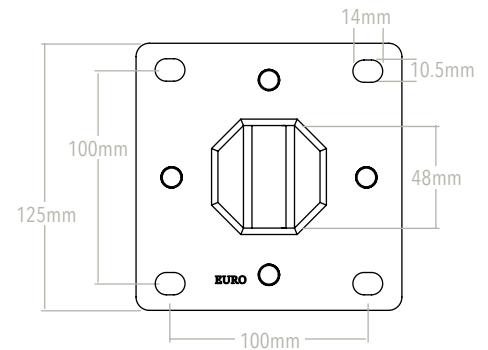
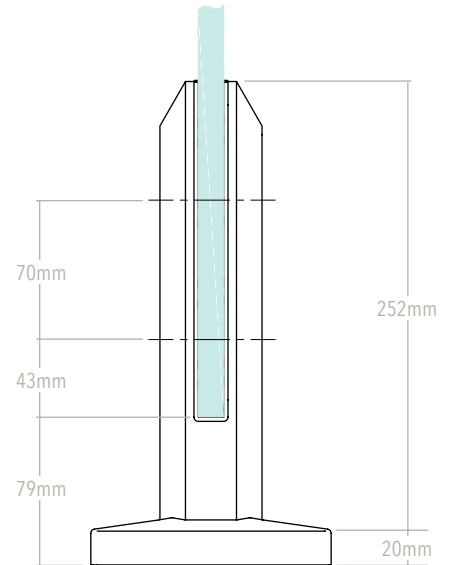
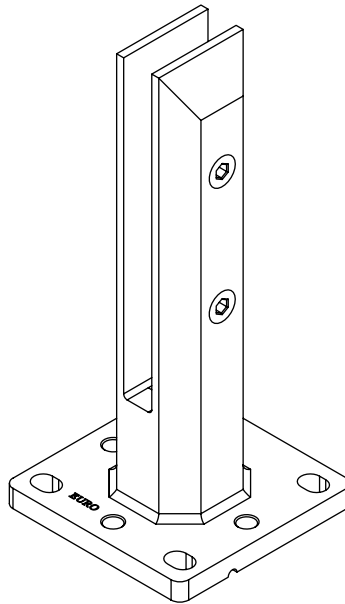


PART #	FINISH	SIZE
SSSPIGOTSMS	Satin	Small
SSSPIGOTSM	Mirror	Small

- Duplex 2205 stainless steel.
- Suitable for **12mm** glass.
(Please contact us to inquire about 10mm glass.)

- No need to drill holes in glass.
- Vertical adjustment.
- 4 adjustment screws with levelling plate.

LARGE SPIGOT



PART #	FINISH	SIZE
SSSPIGOTLG	Satin	Large

- Stainless steel 316.
- Suitable for **12mm** glass.

- Holes required in glass; M8 screws.
- 4 adjustment screws with levelling plate.

NOTE: For more detailed technical information, please refer to our website.



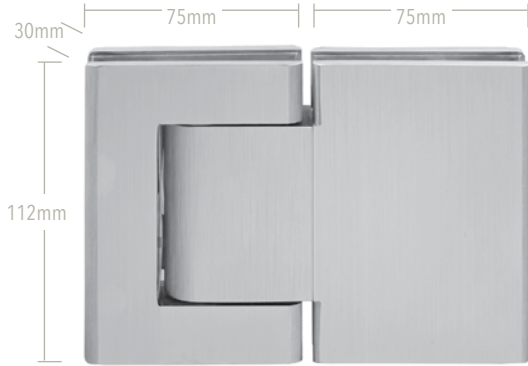
DUPLEX 2205 VS SS316

- Higher corrosion resistance.
- Higher strength.
- Highly suitable for use in outdoor structures with high degree of corrosion due to chlorine and high humidity (e.g., coastal regions & swimming pools).

HINGES & LATCHES FOR GLASS

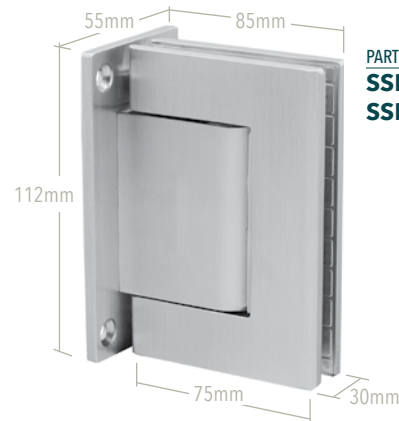
STAINLESS STEEL HYDRAULIC HINGES

GLASS TO GLASS AT 180°



PART #
SSPFHHGGS Satin
SSPFHHGGM Mirror

GLASS TO WALL / SQUARE POST



PART #
SSPFHHGWS Satin
SSPFHHGWM Mirror

Glass unit weights as reference

GLASS SIZE	8mm	10mm	12mm	14mm
WEIGHT (kg/m ²)	18.2	22.7	27.3	31.8

Max door size for hydraulic hinges with door height of 2030mm (80")

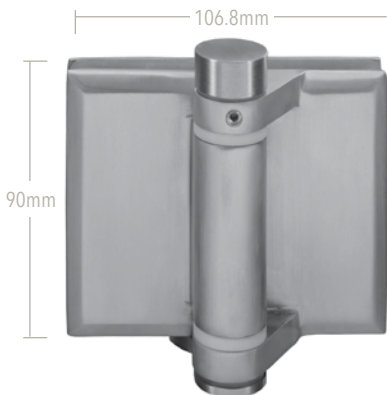
GLASS SIZE	10mm	12mm	14mm
W (max door width)	1200mm	1000mm	850mm

PRODUCT FEATURES

- Made of SS316.
- Suitable for **10-14mm** glass.
- Maximum door leaf weight: 65kg/pair.
- Maximum door leaf width: 900mm.
- Maximum door open angle: 95°.
- Valve adjustment available for closing speed control.

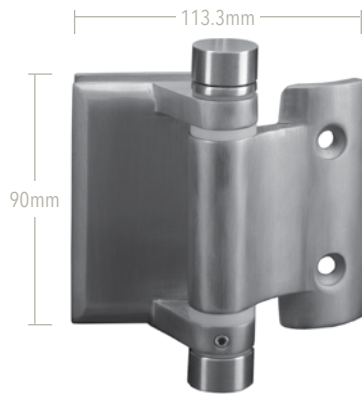
STAINLESS STEEL SPRING LOADED HINGES

GLASS TO GLASS AT 180°



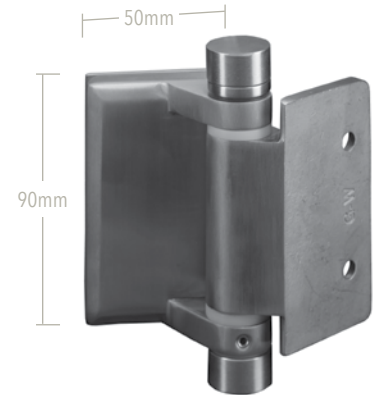
PART #
SSPFHSLGGS Satin

GLASS TO 42.4mm ROUND POST



PART #
SSPFHSLGRS Satin

GLASS TO WALL / SQUARE POST



PART #
SSPFHSLGWS Satin

Glass unit weights as reference

GLASS SIZE	8mm	10mm	12mm	14mm
WEIGHT (kg/m ²)	18.2	22.7	27.3	31.8

Max door size for spring loaded hinges with door height of 1220mm (48")

GLASS SIZE	8mm	10mm	12.7mm
W (max door width)	1140mm	920mm	720mm

PRODUCT FEATURES

- Made of SS316.
- Suitable for **8-12.7mm** glass.
- Maximum door leaf weight: 30kg/pair.
- Maximum door leaf width: 900mm.
- Spring can be adjusted for closing speed control.

NOTE: For recommended glass cut-out for hinges, latches, and door stops, please refer to our website.

STAINLESS STEEL LATCHES

GLASS TO GLASS AT 180°



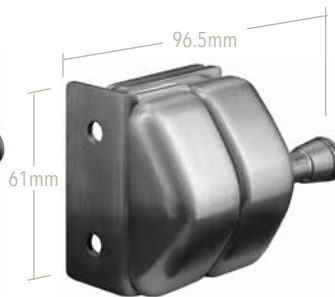
PART #
SSPFGL180SSS Satin
SSPFGL180SM Mirror

GLASS TO GLASS AT 90°



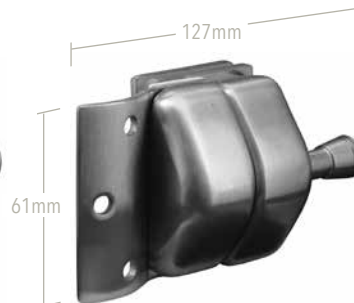
PART #
SSPFGL90SSS Satin

GLASS TO WALL / SQUARE POST



PART #
SSPFGLWSSS Satin
SSPFGLWSSM Mirror

GLASS TO 42.4mm ROUND POST



PART #
SSPFGLRSSS Satin

PRODUCT FEATURES

- Full stainless steel body made of SS316.
- Suitable for **8-12.7mm** glass gate.

REGULAR LATCHES

GLASS TO GLASS AT 180°



PART #
SSPFGL180S Satin
SSPFGL180M Mirror

GLASS TO WALL / SQUARE POST



PART #
SSPFGLWS Satin
SSPFGLWM Mirror

PRODUCT FEATURES

- Suitable for **8-12.7mm** glass gate.
- Keys included.

DOOR STOP



PART #
SSPFSTOPSAT Satin
SSPFSTOPMIRR Mirror

PRODUCT FEATURES

- Made of SS316.
- Suitable for **8-12.7mm** glass gate.