

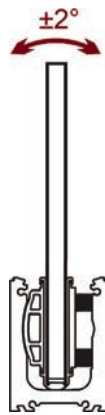
TVLT-LOCK™

BASE SHOE RAILING SYSTEMS

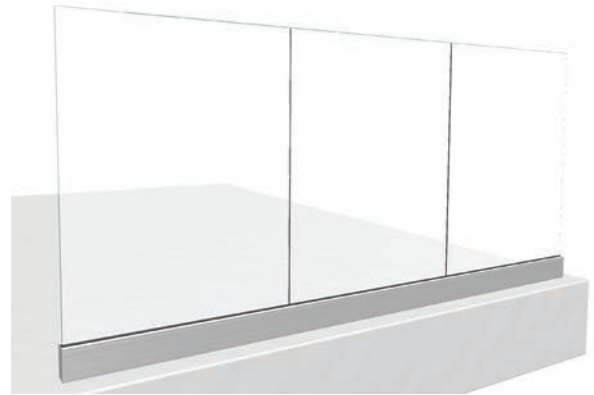
PERFECT ALIGNMENT • TILT ADJUSTABLE GLASS RAILING TECHNOLOGY • READY-TO-INSTALL KITS

PRODUCT FEATURES

- Top Mount and Side Mount Models
- Available in complete kits with your choice of Brushed Anodized Aluminum Cladding or Stainless Steel 316L Cladding
- Suitable for 12-13mm glass
- Allows for glass to be tilted 2° backward or forward
- All adjustments can be achieved from one side
- Faster and easier installation
- Perfect alignment every time
- Ready-to-install with pre-drilled holes; stabilizing washers included
- All concealed components
- Fully engineered for the National Building Code of Canada
- All base shoe railing systems have been tested up to 3 kN
- Patented rotating pressure plate system
- Canadian Patent Application No. 2,962,407
- U.S. Patent Application No. 15/024,903
- New Zealand Patent No. 700501
- European, UK, Australian, Chinese Patents Pending



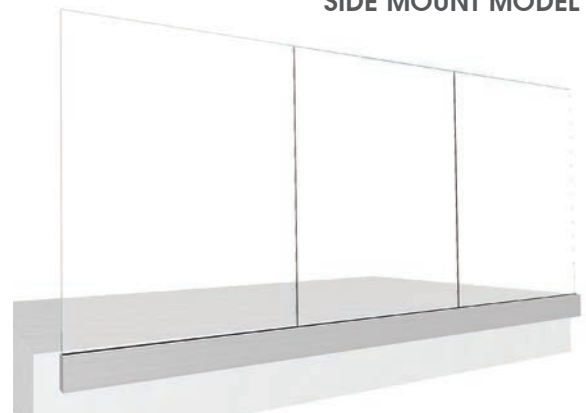
TOP MOUNT MODEL



RECESSED MODEL



SIDE MOUNT MODEL

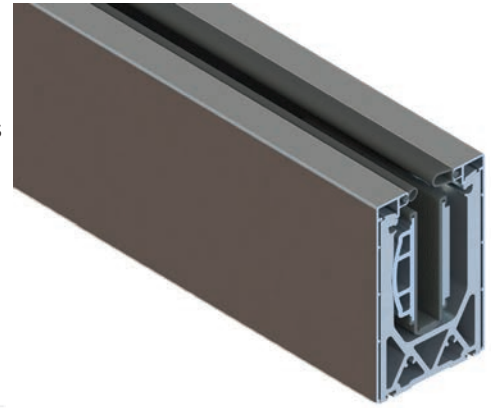
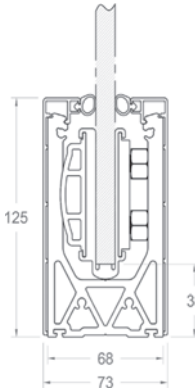
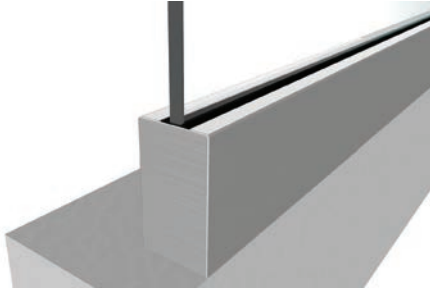


TOP MOUNT MODELS

Available in complete kits with your choice of cladding.

TOP MOUNT MODEL - ALUMINUM CLADDING

- Suitable for 12-13mm glass
- Glass height 38mm above ground level
- **Shoe:** Alkaline anodized aluminum 6063 T6 with top mount fabrication
- **Full Cover Cladding:** Brushed anodized aluminum 6463 T5 with attached gaskets
- **End Caps:** Brushed anodized aluminum to match shoe
- **Glass Spacers:** For space between glass panels; cut to size



PART #	SHOE LENGTH (ft.)	CLADDING (pcs.)	GLASS GRIPS (pcs.)	END CAPS (pcs.)	JOINING PINS (pcs.)	GLASS SPACERS (pcs.)	STABILIZING WASHERS (pcs.)
SSSM3SHOE10A	10	2 x 10 ft.	6	2	4	1 x 4"	10
SSSM3SHOE20A	20	2 x 20 ft.	12	2	8	1 x 8"	20

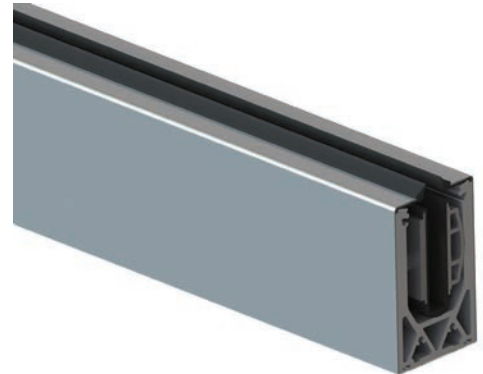
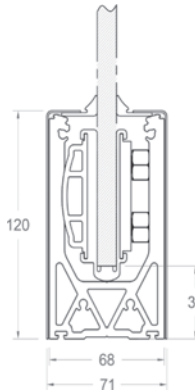


RECESSED APPLICATIONS

For recessed applications, we offer Top Cover Cladding in 10 ft. lengths (SSSM3TCC10A), which can be purchased separately to be used with one of the above kits.

TOP MOUNT MODEL - STAINLESS STEEL CLADDING

- Suitable for 12-13mm glass
- Glass height 38mm above ground level
- **Shoe:** Alkaline anodized aluminum 6063 T6 with top mount fabrication
- **Full Cover Cladding:** Stainless steel 316L satin finish with attached gaskets
- **End Caps:** Stainless steel 316L satin finish to match shoe
- **Glass Spacers:** For space between glass panels; cut to size



PART #	SHOE LENGTH (ft.)	CLADDING (pcs.)	GLASS GRIPS (pcs.)	END CAPS (pcs.)	JOINING PINS (pcs.)	GLASS SPACERS (pcs.)	STABILIZING WASHERS (pcs.)
SSSM3SHOE10S	10	2 x 10 ft.	6	2	4	1 x 4"	10
SSSM3SHOE20S	20	2 x 20 ft.	12	2	8	1 x 8"	20

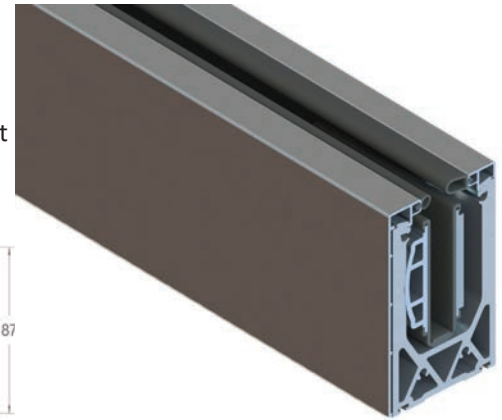
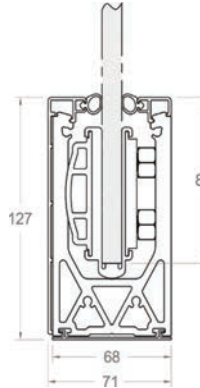
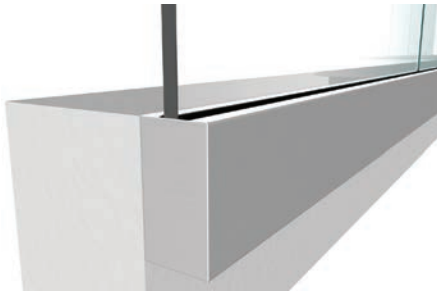
For installation instructions, please refer to our website.

SIDE MOUNT MODELS

Available in complete kits.

SIDE MOUNT MODEL - ALUMINUM CLADDING

- Suitable for 12-13mm glass
- Glass height 38mm above ground level
- **Shoe:** Alkaline anodized aluminum 6063 T6 with side mount fabrication
- **Full Cover Cladding:** Brushed anodized aluminum 6463 T5 with attached gasket
- **End Caps:** Brushed anodized aluminum to match shoe
- **Glass Spacers:** For space between glass panels; cut to size



- Optional fastener package available

PART #	SHOE LENGTH (ft.)	CLADDING (pcs.)	GLASS GRIPS (pcs.)	END CAPS (pcs.)	JOINING PINS (pcs.)	GLASS SPACERS (pcs.)	STABILIZING WASHERS (pcs.)
SSSM3SIDE10A	10	1 x 10 ft.*	6	2	4	1 x 4"	10

*This refers to the full cover cladding; top cover & bottom cover cladding also included.

ACCESSORIES

END CAPS FOR STAIRWAY APPLICATIONS

- For top and bottom of stairs when using the shoe
- Extra long (170mm) to allow for the angle
- End caps may need to be cut to fit application



SSSM3ENDCAP1



SSSM3ENDCAP2



SSSM3ENDCAP3

GLASS GRIPS

- Sold in pkg. of 2 pcs.
- For use with any of our shoe models when the shoe needs to be cut



SSSM3GRIPS

For additional accessories, please contact us for inquiries.

PART #	PRODUCT DESCRIPTION
SSSM3ENDCAP1	Stair end cap for use with Top Mount - Aluminum Cladding shoes (SSSM3SHOE10A / SSSM3SHOE20A)
SSSM3ENDCAP2	Stair end cap for use with Top Mount - Stainless Steel Cladding shoes (SSSM3SHOE10S / SSSM3SHOE20S)
SSSM3ENDCAP3	Stair end cap for use with Side Mount - Aluminum Cladding shoe (SSSM3SIDE10A)
SSSM3GRIPS	Glass Grips for use with Top Mount or Side Mount shoes

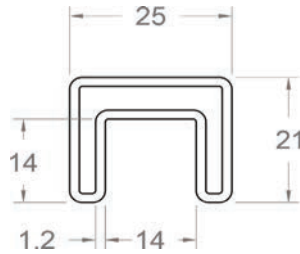
U-TUBE CHANNEL & FITTINGS

NO WELDING INSTALLATION

25 x 21mm U-TUBE CHANNEL

Part #: SSUTCH100

- Stainless steel 316L
- Satin finish
- Suitable for 10-12mm glass
- 19 ft. length; 1.2mm wall thickness
- Reduced minimum visual impact
- No welding required using our SSRK-1500 adhesive
- Gaskets and full range of fittings available (see below)



SSUTCH100

GASKETS

2 SIZES AVAILABLE

- 19 ft. length



SSUTCH101
For 10mm glass

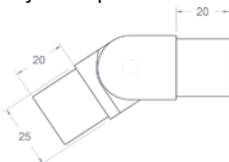


SSUTCH102
For 12mm glass

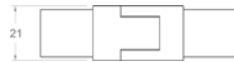
FITTINGS

SWIVEL HORIZONTAL ELBOW

- Adjusts up to 45° left or right



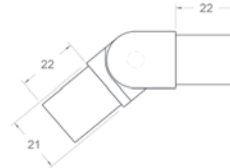
SSUTCH103



FITTINGS

SWIVEL VERTICAL ELBOW

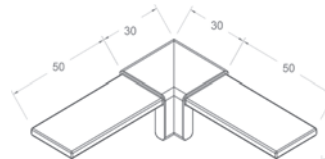
- Adjusts up to 45° up or down



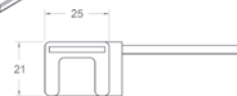
SSUTCH104



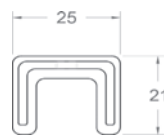
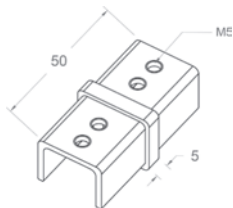
90° ELBOW



SSUTCH105

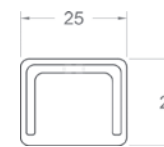
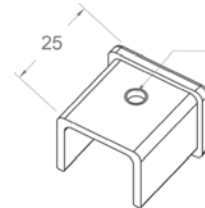


STRAIGHT CONNECTOR



SSUTCH106

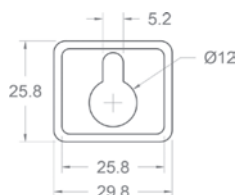
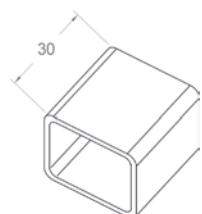
END CAP



SSUTCH107

WALL BRACKET

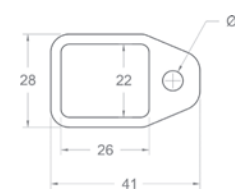
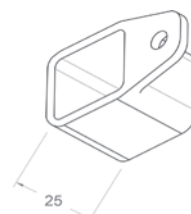
- With hole; can be affixed to wall/post



SSUTCH108

WALL BRACKET

- With tab; can be affixed to wall/post



SSUTCH109

All fittings are Duplex 2205 stainless steel.

No welding required using our recommended SSRK-1500 adhesive.

TILT-LOCK™

ADJUSTABLE GLASS MOUNTING SYSTEMS

DUPLEX 2205 ULTRA MARINE GRADE STAINLESS STEEL • SUPERIOR STRENGTH • SUPERIOR CORROSION RESISTANCE

The Tilt-Lock™ Adjustable Glass Mounting Systems are available in 3 models to suit almost every possible mounting requirement for glass 12-17.52mm thick.

The clean architectural lines create a unique facade, providing a very cost-efficient modern solution for structural glass railings.

The no-holes-in-the-glass system allows the glass to be easily adjusted using the pressure on the screws to ensure a perfect installation every time and results in a stronger, more reliable system.

EDGE MOUNT MODEL TOP MOUNT MODEL SIDE MOUNT MODEL

PRODUCT FEATURES

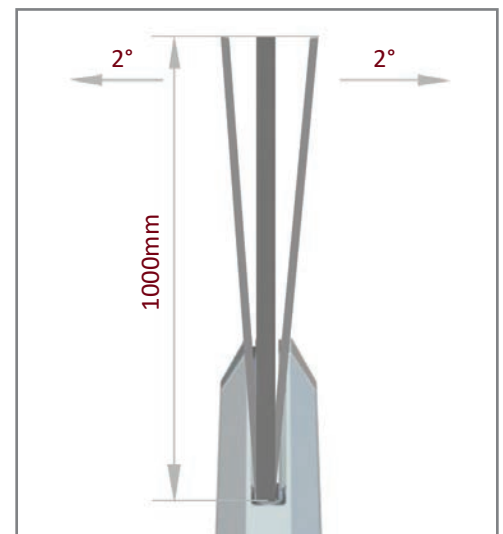
- Edge Mount, Top Mount, and Side Mount Models
- Duplex 2205 construction in satin finish
- Suitable for 12-17.52mm glass
- Allows for glass to be tilted 2° backward or forward
- All adjustments can be achieved from one side
- Fully engineered for the National Building Code of Canada
- All spigot models have been tested up to 3 kN
- Canadian Patent Application No. 2,962,407
- U.S. Patent Application No. 15/024,903
- New Zealand Patent No. 700501
- European, UK, Australian, Chinese Patents Pending



TIGHTENING



ADJUSTMENT



TILT-LOCK™ means “tilt and lock”, a simple process that allows you to simply tilt the glass in the mounts to the correct alignment and lock the grub screws.

EDGE / TOP / SIDE MOUNT MODELS

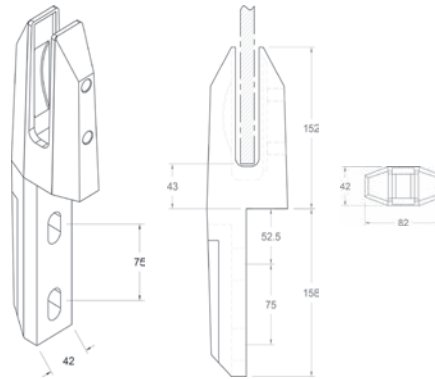
The Edge & Side Mount Models provide a space-saving solution. Installation is also made easier as the glass is installed from one side.



EDGE MOUNT MODEL

Part #: SSSPIGOTEDGE

- Duplex 2205 stainless steel
- Satin finish
- Pressure plate model
- Suitable for 12-17.52mm glass
- Optional fastener package available

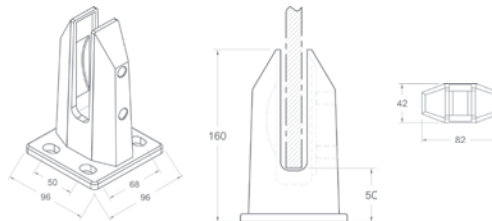


SSSPIGOTEDGE

TOP MOUNT SQUARE BASE PLATE MODEL

Part #: SSSPIGOTADJ

- Duplex 2205 stainless steel
- Satin finish
- Pressure plate model
- Suitable for 12-17.52mm glass
- Slotted base plate holes
- Cover plate included

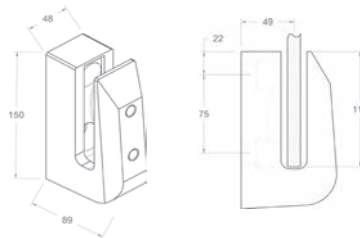


SSSPIGOTADJ

SIDE MOUNT MODEL

Part #: SSSPIGOTSIDE

- Duplex 2205 stainless steel
- Satin finish
- Pressure plate model
- Suitable for 12-17.52mm glass
- Optional fastener package available
- For ease of installation, we recommend using our SSSPIGOTSIDT socket tool, which can be purchased separately.



SSSPIGOTSIDE

For installation instructions, please refer to our website.

ULTRA SLIM 2205 FRAMELESS GLASS CONNECTORS

THE SLIMMER FRAMELESS GLASS PANEL SUPPORT OPTION

PRODUCT FEATURES

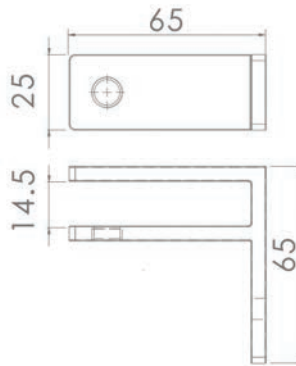
- 4 models suit 10-12mm glass with gaskets included
- Available in Duplex 2205 for more than double the strength and superior corrosion resistance than 316
- All products are available in Satin finish



GLASS CONNECTOR FOR GLASS TO WALL

Part #: SSPFEBWALL

- Duplex 2205 stainless steel
- Satin finish
- Suitable for 10-12mm glass

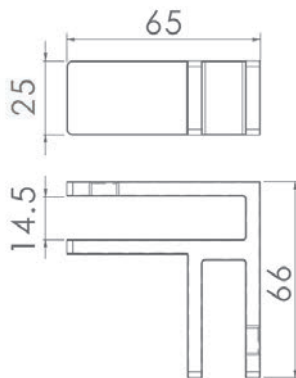


SSPFEBWALL

90° GLASS CONNECTOR FOR GLASS TO GLASS

Part #: SSPFEB90

- Duplex 2205 stainless steel
- Satin finish
- Suitable for 10-12mm glass

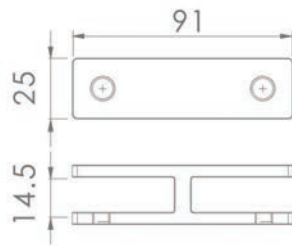


SSPFEB90

180° GLASS CONNECTOR FOR GLASS TO GLASS

Part #: SSPFEB180

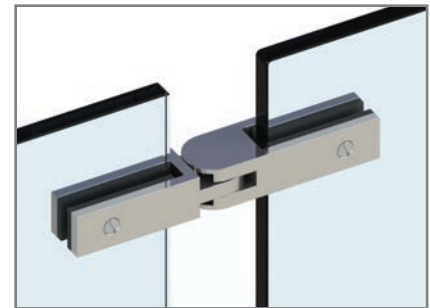
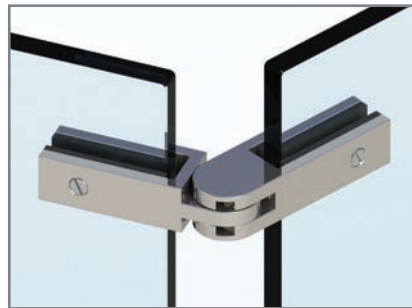
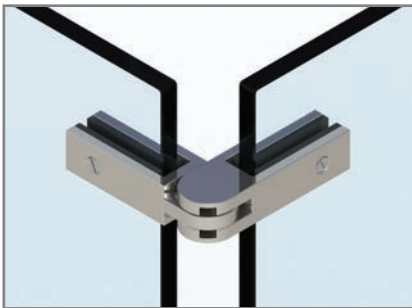
- Duplex 2205 stainless steel
- Satin finish
- Suitable for 10-12mm glass



SSPFEB180

SIMPLE & VERSATILE ADJUSTMENT

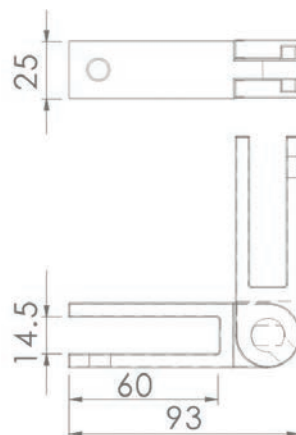
The adjustment can be from 90°-180°, slide and rotate, no screw assembly.



ADJUSTABLE GLASS CONNECTOR FOR GLASS TO GLASS

Part #: SSPFEBADJ

- Duplex 2205 stainless steel
- Satin finish
- Suitable for 10-12mm glass
- 90°-180° adjustment



SSPFEBADJ

For further inquiries on our base shoe railing systems,
U-tube channel, spigots, and glass connectors, please contact us.
For additional stainless steel products, please refer to our website.