

Shower Fittings



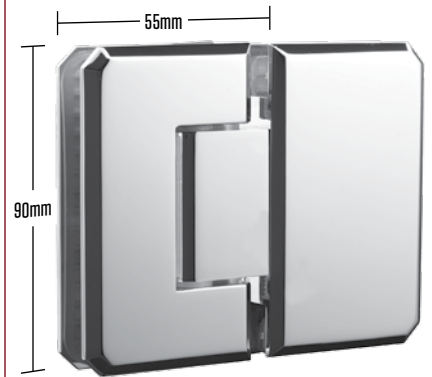
SHOWER HINGES

All hinges are 100% Yellow Brass for protection against corrosion and come in mirror finish.



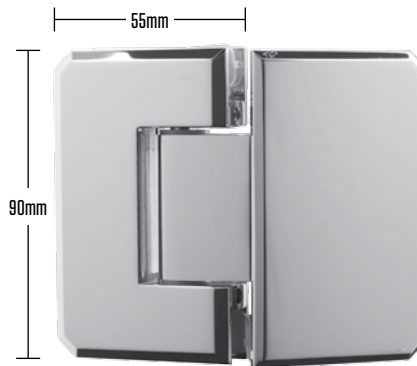
SSSF801BRM

Hinge to join glass door with wall



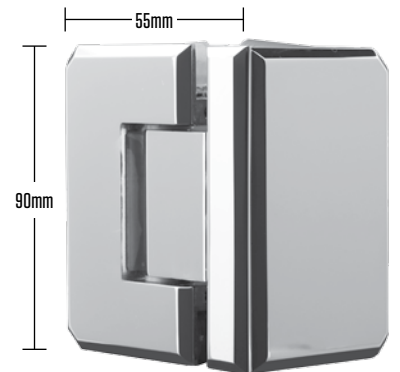
SSSF802BRM

Hinge to join glass door with fixed glass at 180°



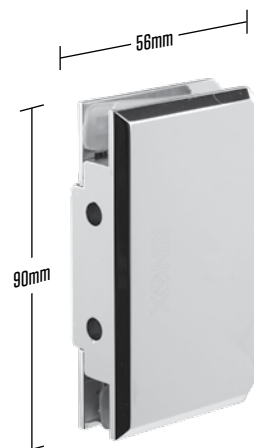
SSSF803BRM

Hinge to join glass door with fixed glass at 135°



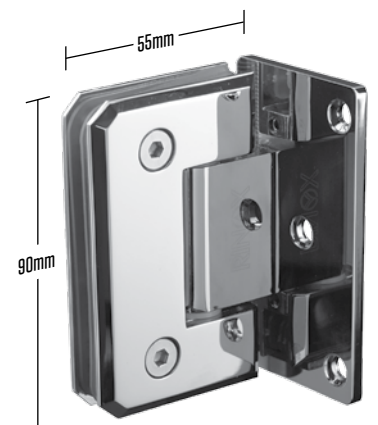
SSSF804BRM

Hinge to join glass door with fixed glass at 90°



SSSF805BRM

Hinge to join fixed glass with wall at 90°

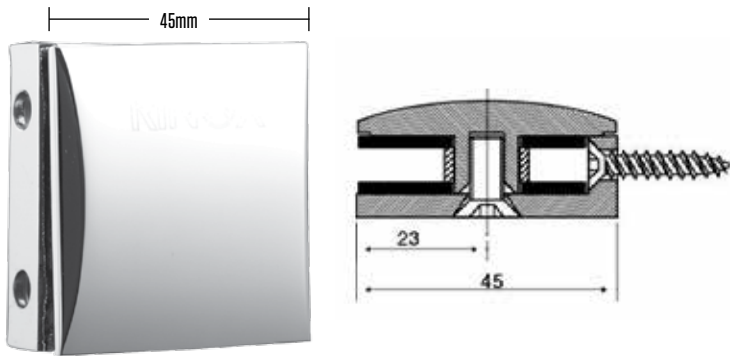


SSSF806BRM

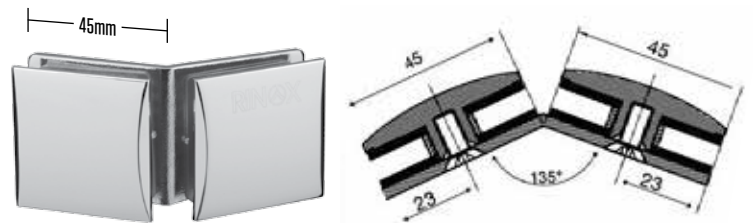
Hinge to join glass door with wall at 90°

GLASS CONNECTORS

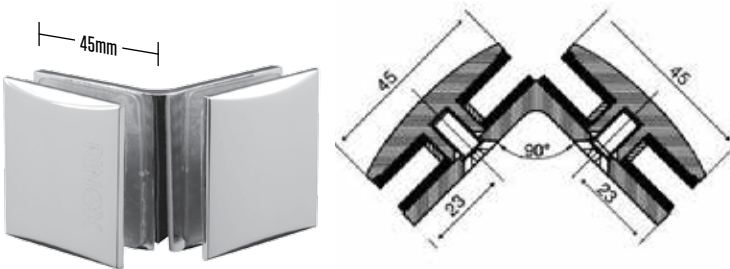
All connectors are
SS304 Stainless Steel
 with a mirror finish.



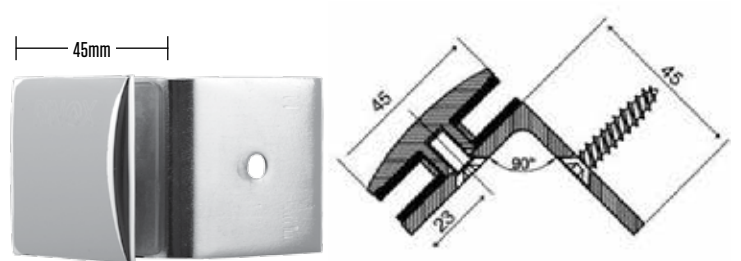
SSSF201BRM Connector to join glass panel to wall, floor, or any flat surface



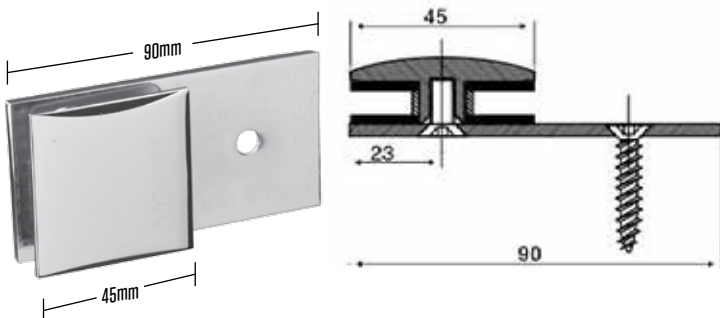
SSSF202BRM Connector to join glass to glass panels at 135°



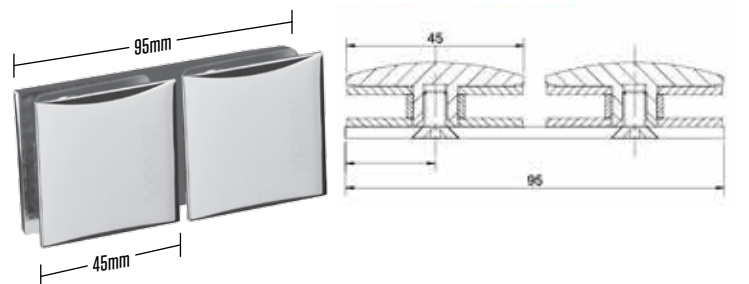
SSSF203BRM Connector to join glass to glass panels at 90°



SSSF204BRM Connector to join wall to glass panels at 90°



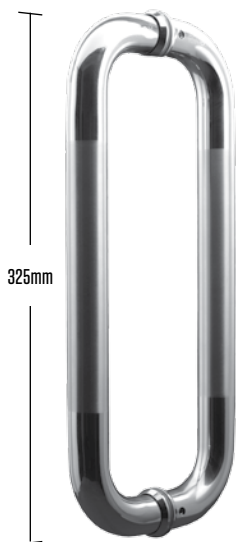
SSSF205BRM Connector to join wall to glass panels at 180°



SSSF206BRM Connector to join glass to glass panels at 180°

GLASS DOOR HANDLES & DOORKNOBS

All handles and doorknobs are **SS304 Stainless Steel** with a mirror finish.

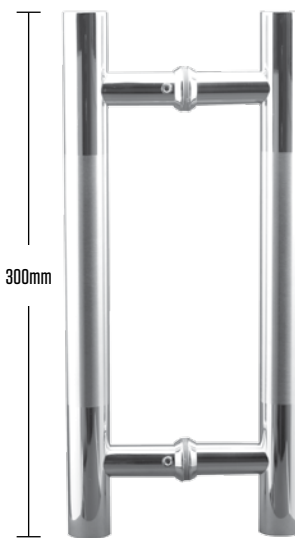


Ø25mm

325mm

SSSFHD301

Handle for glass door (D-Type)
Glass hole diameter = 12mm

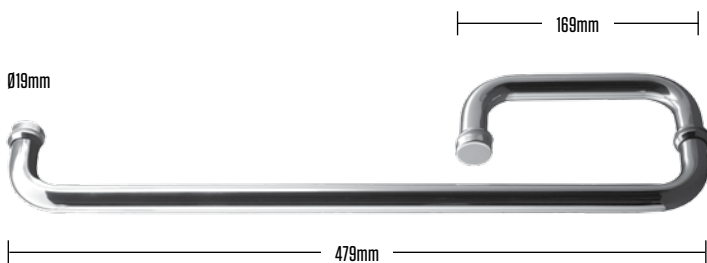


Ø25mm

300mm

SSSFHD401

Handle for glass door (H-Type)
Glass hole diameter = 12mm



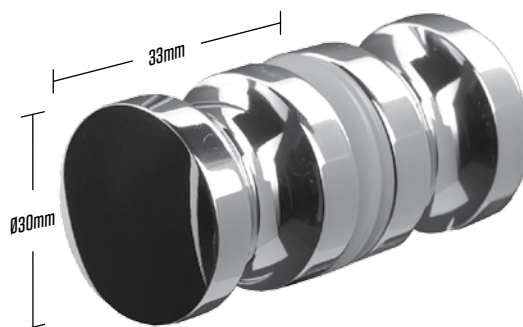
Ø19mm

169mm

SSSFHD201

Dual function handle towel bar
The handle part can be installed horizontally or vertically,
depending on personal preference.
Glass hole diameter = 10mm

479mm



Ø30mm

33mm

SSSFHD101

Grooved glass doorknob

FOR MORE DETAILED TECHNICAL INFORMATION, PLEASE REFER TO OUR WEBSITE.