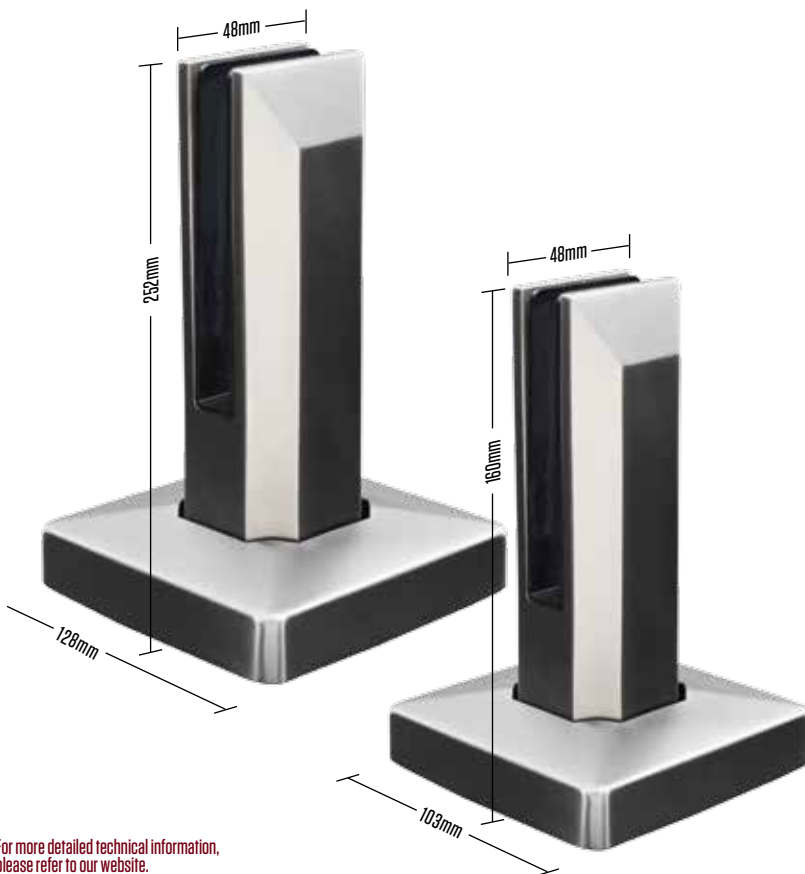


# Pool Fencing for Glass



For more detailed technical information, please refer to our website.

## SMALL & LARGE SPIGOTS

<u>PART #</u>	<u>FINISH</u>	<u>SIZE</u>
SSSPIGOTSMS	SATIN	SMALL
SSSPIGOTSMM	MIRROR	SMALL
SSSPIGOTLG	SATIN	LARGE

### SMALL SPIGOTS

- Made of duplex 2205 low carbon marine grade steel.
- For use with 10mm and 12mm glass.
- No need to drill holes in glass.
- 4 adjustment screws with levelling plate.

### LARGE SPIGOTS

- Made of duplex 2205 low carbon marine grade steel.
- For use with 12mm glass.
- Holes required; M8 screws.
- 4 adjustment screws with levelling plate.

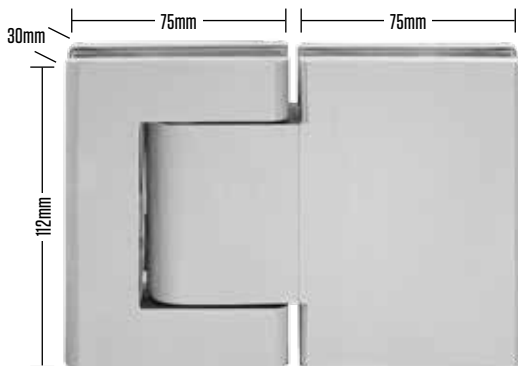
### DUPLEX 2205 VS SS316

- Higher corrosion resistance
- Higher strength
- Highly suitable for use in outdoor structures with high degree of corrosion due to chlorine and high humidity (e.g., coastal regions & swimming pools)

# HINGES

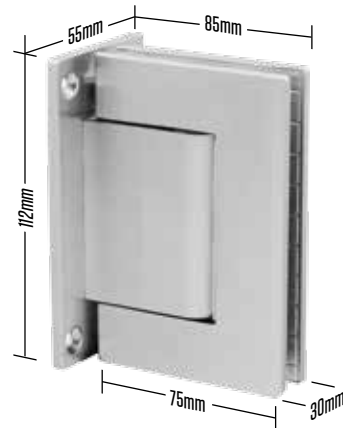
## HYDRAULIC HINGES

Glass to Glass at 180°



PART #	FINISH
SSPFHHGGS	Satin
SSPFHHGGM	Mirror

Glass to Wall / Square Post



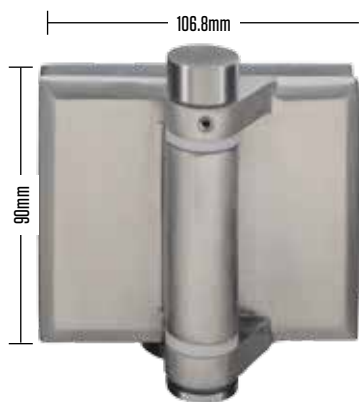
PART #	FINISH
SSPFHHGWS	Satin
SSPFHHGWM	Mirror

### STAINLESS STEEL HYDRAULIC HINGES

- Made of SS316.
- For use with 10-14mm glass.
- Maximum door leaf weight: 65kg/pair.
- Maximum door leaf width: 900mm.
- Maximum door open angle: 95°.
- Valve adjustment available for closing speed control.

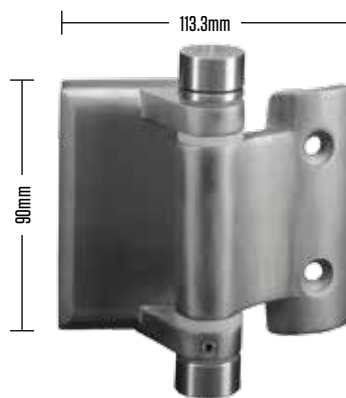
## SPRING LOADED HINGES

Glass to Glass at 180°



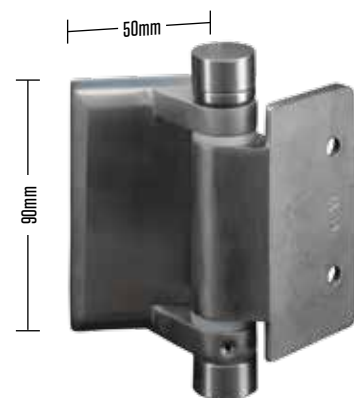
PART #	FINISH
SSPFHSLGGS	Satin

Glass to 42.4mm Round Post



PART #	FINISH
SSPFHSLGRS	Satin

Glass to Wall / Square Post



PART #	FINISH
SSPFHSLGWS	Satin

### STAINLESS STEEL SPRING LOADED HINGES

- Made of SS316.
- For use with 8-12.7mm glass.
- Maximum door leaf weight: 30kg/pair.
- Maximum door leaf width: 900mm.
- Spring can be adjusted for closing speed control.

# LATCHES

## STAINLESS STEEL LATCHES

Glass to Glass at 180°



PART #	FINISH
SSPFGL180SSS	Satin
SSPFGL180SSM	Mirror

Glass to Glass at 90°



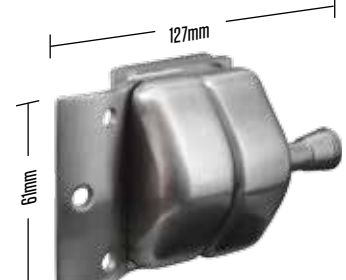
PART #	FINISH
SSPFGL90SSS	Satin
SSPFGL90SSM	Mirror

Glass to Wall / Square Post



PART #	FINISH
SSPFGLWSSS	Satin
SSPFGLWSSM	Mirror

Glass to 42.4mm Round Post



PART #	FINISH
SSPFGLRSSS	Satin

### STAINLESS STEEL LATCHES

- Full stainless steel body made of SS316.
- For use with 8-12.7mm glass gate.

## REGULAR LATCHES

Glass to Glass at 180°



PART #	FINISH
SSPFGL180S	Satin
SSPFGL180M	Mirror

Glass to Wall / Square Post



PART #	FINISH
SSPFGLWS	Satin
SSPFGLWM	Mirror

### REGULAR LATCHES

- For use with 8-12.7mm glass gate.
- Keys included

## DOOR STOP



### DOOR STOP

PART #	FINISH
SSPFSTOPSAT	Satin
SSPFSTOPMIRR	Mirror

### DOOR STOP

- Made of SS316.
- For use with 8-12.7mm glass gate.





TORONTO: 127A Aviva Park Drive, Woodbridge, ON, Canada L4L 9C1 • T. 905 265.1093 • F. 905 265.1063 • TF. 800 465.7143  
MONTREAL : 9015 Champ D'eau, Montreal, QC, Canada H1P 3M3 • T. 514 325.7977 • F. 514 325.7974 • TF. 866 574.7979  
[www.euroeac.com](http://www.euroeac.com)



**euro** ARCHITECTURAL  
COMPONENTS  
A DIVISION OF EURO ORNAMENTAL FORGINGS INC.